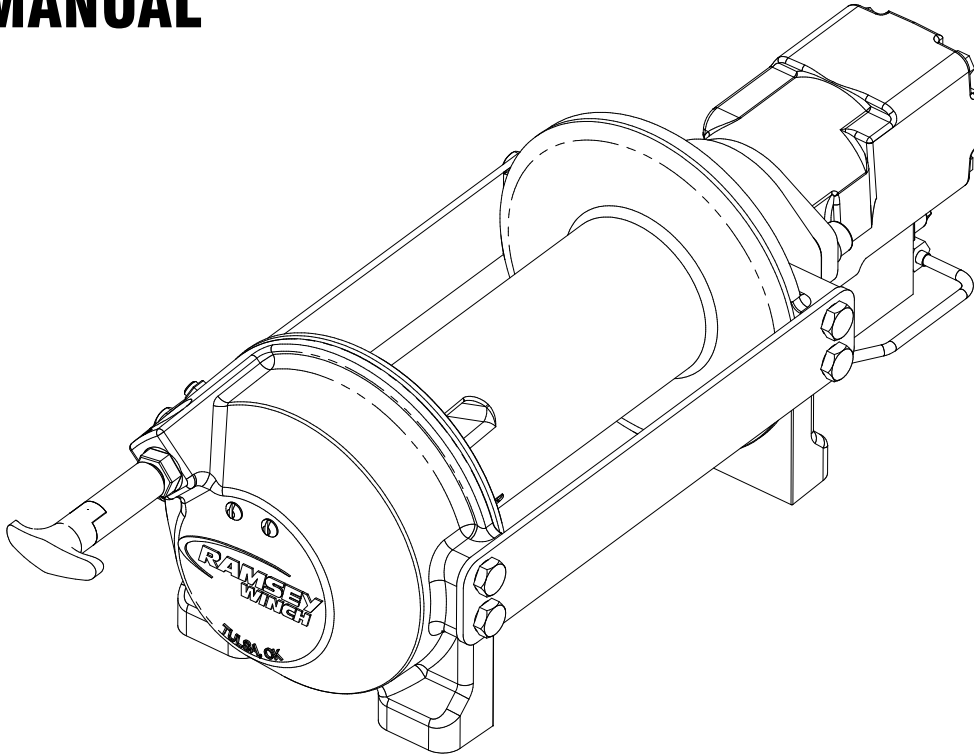




English (Original Instructions) 1
Français (Traduction des instructions originales) .. 20
Deutsch (Übersetzung der Originalanleitung) 39
Español(Traducción de las instrucciones originales). 58

OPERATING, SERVICE AND MAINTENANCE MANUAL



MODEL HD-P 34,9 PLANETARY WINCH

INTENDED USE: VEHICLE RECOVERY AND PULLING OF LOADS



CAUTION: READ AND UNDERSTAND THIS MANUAL BEFORE INSTALLATION AND OPERATION OF WINCH. SEE WARNINGS!

Ramsey Winch Company

P.O. Box 581510 - Tulsa, OK 74158-1510 USA

Phone: (918) 438-2760 - Fax (918) 438-6688

Visit us at <http://www.ramsey.com>

Ramsey Authorized Representative in the Community

(Please contact for regulatory inquiries only.)

Alura Group BV
P.O. Box 18626
2502 EP The Hague
The Netherlands
Tel: (31) (0) 70 362-4896
Fax: (31) (0) 70 346-7299

OM-914211-1011-E



4707 N. Mingo

Tulsa, Oklahoma 74117

(918) 438-2760

EC DECLARATION OF CONFORMITY

as defined by Machinery Directive 2006/42/EC

Here with we declare that winch model HD-P 34,9 complies with the following directive provided that the USER complies with all responsibilities described in the Owner's Manual:

2006/42/EC

Applied harmonized standards:

EN 14492-1:2006

Power-Driven Winches

ISO 9001:2000

Quality Management Systems

Requirements

DÉCLARATION DE CONFORMITÉ EC

aux termes de la directive Machines 2006/42/EC

Nous déclarons par la présente que le modèle de treuil HD-P 34,9 est conforme à la directive suivante, sous réserve que l'UTILISATEUR ait assumé toutes les responsabilités figurant dans le manuel de l'utilisateur :

2006/42/EC

Normes harmonisées appliquées :

EN 14492-1:2006

Treuil motorisés

ISO 9001:2000

Systèmes de gestion de la qualité - Exigences

EC-KONFORMITÄTSERKLÄRUNG

gemäß Maschinenrichtlinie 2006/42/EC

Hiermit erklären wir, dass das Windenmodell HD-P 34,9 der folgenden Richtlinie entspricht, sofern der BENUTZER alle Anweisungen im Benutzerhandbuch befolgt:

2006/42/EC

Angewandte harmonisierte Normen:

EN 14492-1:2006

Kraftgetriebene Winden

ISO 9001:2000 Qualitätsmanagementsysteme -

Anforderungen

DECLARACIÓN EC DE CONFORMIDAD

según se define en la directiva de máquinas 2006/42/EC

Con la presente declaramos que el modelo de cabestrante HD-P 34,9 se halla en conformidad con la siguiente directiva siempre que el USUARIO cumpla todas las responsabilidades descritas en el Manual del propietario:

2006/42/EC

Normas armonizadas aplicadas:

EN 14492-1:2006

Cabestrantes accionados mecánicamente

ISO 9001:2000

Requisitos de los Sistema de gestión de la calidad

Ramsey Authorized Representative in the Community / Ramsey Représentant autorisé dans la comauté / Ramsey Bevollmächtigter in der Europäischen Union / Ramsey Representante autorizado en la comunidad.

(Please contact for regulatory inquiries only. / Veuillez prendre contact uniquement pour des questions réglementaires.)
(Bitte nur bei Regulierungsfragen kontaktieren. / Póngase en contacto sólo por cuestiones de reglamentación.)

Alura Group BV
P.O. Box 18626
2502 EP The Hague
The Netherlands
Tel: (31) (0) 70 362-4896
Fax: (31) (0) 70 346-7299

Serial Number / Numéro de série/ Seriennummer/ Número de Serie: _____

Signature / Signature / Unterschrift / Firma:

Todd Brady

Engineering Manager / Directeur technique/ Technischer Leiter/ Director de ingeniería

Date / Date / Datum / Fecha:

05/03/11

TABLE OF CONTENTS

INTRODUCTIONS	3
USER'S RESPONSIBILITY FOR CE COMPLIANCE	3
SPECIFICATIONS	3
WARNINGS	3
WINCH MOUNTING	4
ROPE INSTALLATION	4
MAINTENANCE	5
OPERATION	5
HYDRAULIC SYSTEM REQUIREMENTS	6
TYPICAL LAYOUT	6
PERFORMANCE CHARTS	6
TROUBLE SHOOTING GUIDE	7
END OF SERVICE MEASURES	8
OVERHAUL INSTRUCTIONS	8-10
DIMENSIONAL DRAWINGS	11-13
PARTS LIST AND PARTS DRAWINGS	14-19
CE DECLARATION OF CONFORMITY	20

SPECIFICATIONS*

First Layer Line Pull	34,9 kN (7840 lb)				
Noise Level	79 db				
Ambient Temp. Range	-28C to 60C (-20F to 140F)				
Gear Reduction	5.1:1				
Weight (without rope)	STD. DRUM	37.2 Kg (82lb)			
	"Y" DRUM	34.5 Kg (76 lb)			
LAYER OF ROPE		1	2	3	4
Line pull per layer	kN	34,9	29,3	25,3	22,2
	lb	7,840	6,600	5,700	5,000

* Rope Capacity Per Layer

STD. DRUM	m	7	16	25	38
	ft	25	55	85	125
"Y" DRUM	m	4	10	16	25
	ft	15	35	55	85
* Line Speed at 56,7 LPM (15 GPM)	MPM	15,2	17,6	20,3	23,1
	FPM	50	58	67	76
* These specifications are based on recommended wire rope of 10 mm (.393") 1960 grade wire rope and a 254 cc (15.5 cu in) /Rev. motor.					

WARNINGS:

THE USER SHALL ENSURE THAT THE OPERATING PERSONNEL ARE GIVEN THE NECESSARY TRAINING. THE OPERATOR SHALL ALWAYS WORK IN COMPLIANCE WITH THE OPERATING INSTRUCTIONS. A MOTOR SPOOL (OPEN CENTER) DIRECTIONAL CONTROL VALVE IS REQUIRED FOR BRAKE OPERATION. CLUTCH MUST BE FULLY ENGAGED BEFORE STARTING THE WINCH. DO NOT DISENGAGE CLUTCH UNDER LOAD. STAY OUT FROM UNDER AND AWAY FROM RAISED LOADS. STAND CLEAR OF ROPE WHILE PULLING. DO NOT TRY TO GUIDE ROPE. DO NOT USE WINCH TO LIFT, SUPPORT, OR OTHERWISE TRANSPORT PERSONNEL. A MINIMUM OF 2 WRAPS OF ROPE AROUND THE DRUM BARREL IS NECESSARY TO HOLD THE LOAD. IN CAR CARRIER APPLICATIONS, AFTER PULLING VEHICLE ON CARRIER, BE SURE TO SECURE VEHICLE TO CARRIER BED. DO NOT MAINTAIN LOAD ON WINCH ROPE WHILE TRANSPORTING VEHICLE. DO NOT USE WINCH AS A TIEDOWN. AVOID CONDITIONS WHERE LOAD SHIFTS OR JERKS OCCUR. EXCESSIVE "INCHING" SHALL BE AVOIDED.

USER'S RESPONSIBILITY FOR CE COMPLIANCE

1. Use only a motor spool (open center) control valve Per Hydraulic System Requirements.
2. If a remote-operated winch control valve is used, refer to Hydraulic System Requirements for Emergency Stop components to be installed.
3. Adjust system relief pressure per Hydraulic System Requirements
4. Mount winch per Winch Mounting Instructions.
5. Install 10 mm (.393 inch), grade 1960 wire rope. For STD drum, maximum rope length of 38 M (125 ft) for four layers maximum. For Y drum, maximum rope length of 25 M (85 ft) for four layers maximum. Attach rope to the drum per Rope Installation Instructions. Hook must have a safety latch and a minimum breaking strength of 87 kN.

WINCH MOUNTING

ESSENTIAL MOUNTING INSTRUCTIONS TO MAINTAIN ALIGNMENT OF PLANETARY WINCH COMPONENTS:

It is most important that this winch be mounted securely so that the three major sections (the motor end, the rope drum, and the gear housing end) are properly aligned. Excessive bushing wear and difficulty in freespooling are usually symptoms of misalignment.

In the as-installed condition, if the winch is mid-mounted, then at least one tie-plate must be attached to the mounting feet at the bottom of the winch to maintain alignment. If the winch is foot mounted then at least one tie-plate must remain mounted at midpoint of winch to maintain alignment. It is always preferred to use BOTH tie-plates in the final installed configuration.

Angle Mounting Kit, P/N 251006 (for Std. Drum) or 251007 (for "Y" drum), is recommended for maximum ease in mounting the winch. The angle kit will allow the winch to be mounted in upright or midmount applications and will meet the criteria of serving as a solid and true mounting surface.

When mounting the winch with other than the recommended Ramsey Angle Kit, the mounting hole patterns described in the Dimensional drawings on pages 11-13 should be used. The mounting surface must be flat within 0,38 mm (.015 in) and sufficiently stiff to resist flexing. If a steel plate is used for foot mounting, it should be 19,05 mm (.75 in) thick. For this mounting application eight (8) 1/2-13NC x 1-1/2" long grade 5 capscrews with lockwashers will be needed to mount winch. Capscrews should be tightened to 115 Nm (85 ft-lb) torque.

NOTE: If angles or a steel plate are used in mounting winch, tie-plates provided with winch are to be attached to the remaining mounting pads, whether they be side or foot.

ROPE INSTALLATION

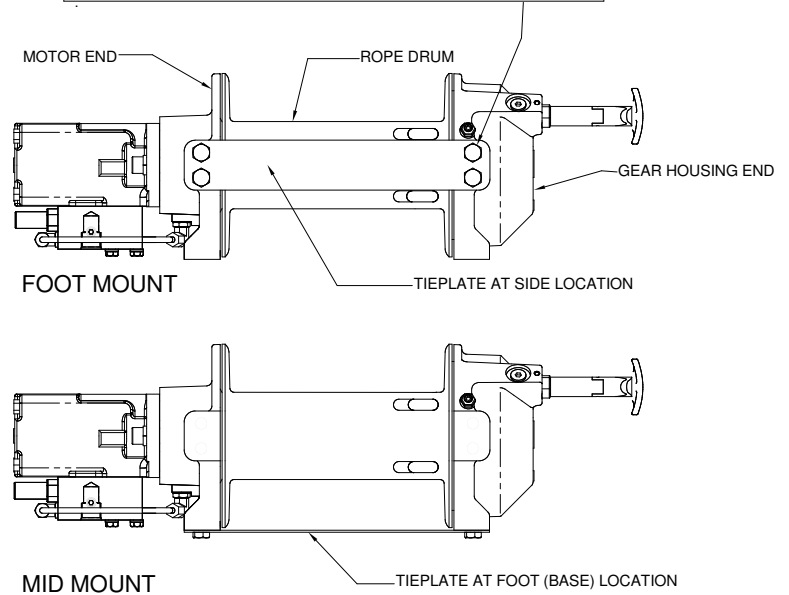
An "A" or "B" decal on the clutch end bearing indicates the spooling direction of the rope. Also, a letter "A" or "B" is stamped in the end bearing on the clutch end indicating rotation direction. If the decal is damaged or unreadable, contact Customer Service for additional instructions to determine proper direction. **To reverse the rotation direction, exchange positions of the cartridge and plug shown on page 5.**

1. Unwind rope by rolling it out along the ground to prevent kinking. Securely wrap end of rope, opposite hook, with plastic or similar tape to prevent fraying.
2. Slide the wire rope through narrow end of the pocket against the drum flange. Wrap the wire rope around on the anchor "puck" (item #19) and pull the wire rope and anchor back into the wide end of the pocket. Use a soft hammer to drive the back side of the wire rope, firmly seating the wire rope and anchor into the pocket.
3. Carefully run winch in the "reel-in" direction. Keeping tension on end of rope, spool all the rope onto the rope drum, taking care to form neatly wrapped layers.

After installing rope, check freespool operation. Disengage clutch and pull on rope at a walking speed. If rope "birdnests", loosen jam nut (item #20) and turn nylon setscrew (item #17) clockwise to increase drag on drum. If rope pull is excessive, loosen nylon setscrew by turning counterclockwise. Tighten jam nut when proper setting is obtained.

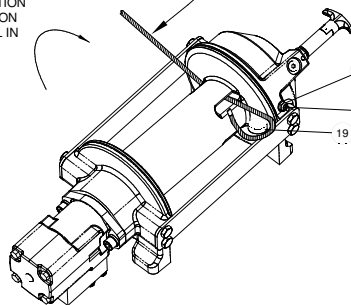
CAUTION: OVER-TIGHTENING OF JAM NUT MAY STRIP NYLON SETSCREW.

CAUTION: If longer bolts (minimum grade 5) are substituted to mount winch or to mount a roller guide at the side mount pads, bolt length must be such as to allow a minimum of 12.7mm (.50 in) thread length engagement in the tapped holes in side of each end bearing. Use of excessive length bolts will damage the winch and prevent freespool of the drum. Torque bolts to 75 Nm (55 ft-lb).



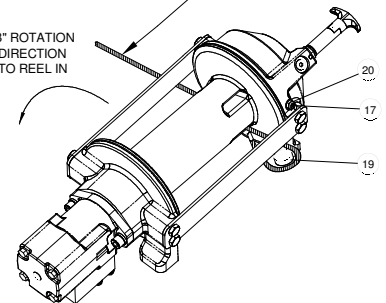
INSERT ROPE AS SHOWN FOR "A" ROTATION OVERWOUND APPLICATION.

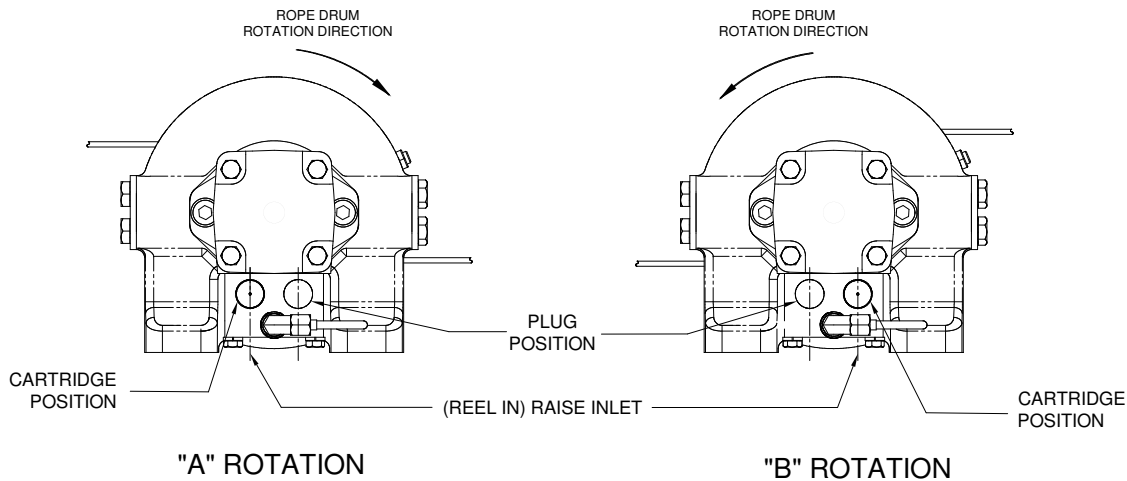
"A" ROTATION DIRECTION TO REEL IN



INSERT ROPE AS SHOWN FOR "B" ROTATION UNDERWOUND APPLICATION.

"B" ROTATION DIRECTION TO REEL IN





MAINTENANCE

1. Inspect the rope for damage and lubricate frequently. If the rope becomes frayed with broken strands, replace immediately.
2. Check that the clutch is fully engaging. See OPERATION instructions, above, for the appropriate clutch shifter. FOR MANUAL CLUTCH ONLY: Monthly, disengage clutch, put several drops of oil on the clutch handle shaft and work clutch handle IN and OUT several times to lubricate inside the shifter assembly.
3. Check to see that the drum rope does not overrun ("birdnest") when freespooling. Refer to page 4 if it does.
4. Replace drum bushings and seals if seals begin to seep grease. Refer to the Overhaul Instructions, pages 8-10. Add additional lubricant, Mobilith SHC 007, to gears and drum bearings if required.

OPERATION

The best way to get acquainted with how your winch operates is to make test runs before you actually use it. Plan your test in advance. Remember, you hear your winch as well as see it operate. Get to recognize the sounds of a light steady pull, a heavy pull, and sounds caused by load jerking or shifting. Avoid conditions where load shifts or jerks occur, as they may indicate a dangerous situation.

The uneven spooling of rope, while pulling the load, is not a problem, unless there is a rope pileup on one end of the drum. If this happens, reverse the winch to relieve the load, and move your anchor point further to the center of the vehicle. After the job is done you can unspool and rewind for a neat lay of the rope.

When pulling a heavy load, place a blanket, jacket, and tarpaulin over the rope about five or six feet behind the hook. In the event of a broken rope, this will slow the snap back of the rope and could prevent serious injury.

The winch clutch allows rapid unspooling of the rope, from the rope drum, for hooking onto the load. The clutch is operated by the clutch shifter lever or air shifter.

WARNING: DO NOT DISENGAGE CLUTCH UNDER LOAD!

MANUAL CLUTCH SHIFTER (Refer to dimensional drawing page 11):

TO DISENGAGE CLUTCH: Run the winch in the reverse (reel out) direction until the load is off the rope. Pull handle out and rotate 90°. With handle in the "DISENGAGED" position, rope may now be free-spoiled from the drum.

TO ENGAGE CLUTCH: Pull handle out, rotate 90° and release handle. Run the winch in reverse until the clutch handle snaps fully into the "ENGAGED" position. **DO NOT** attempt to pull a load unless the handle is fully at the "ENGAGED" position. If manual shift indicator light is present, the green light is lit when clutch is fully "ENGAGED". **DO NOT** attempt to pull a load unless the green light is lit. To install light to the vehicle electrical system refer to the Electrical Schematic on page 12.

AIR CYLINDER CLUTCH SHIFTER (Refer to the dimensional drawing page 12):

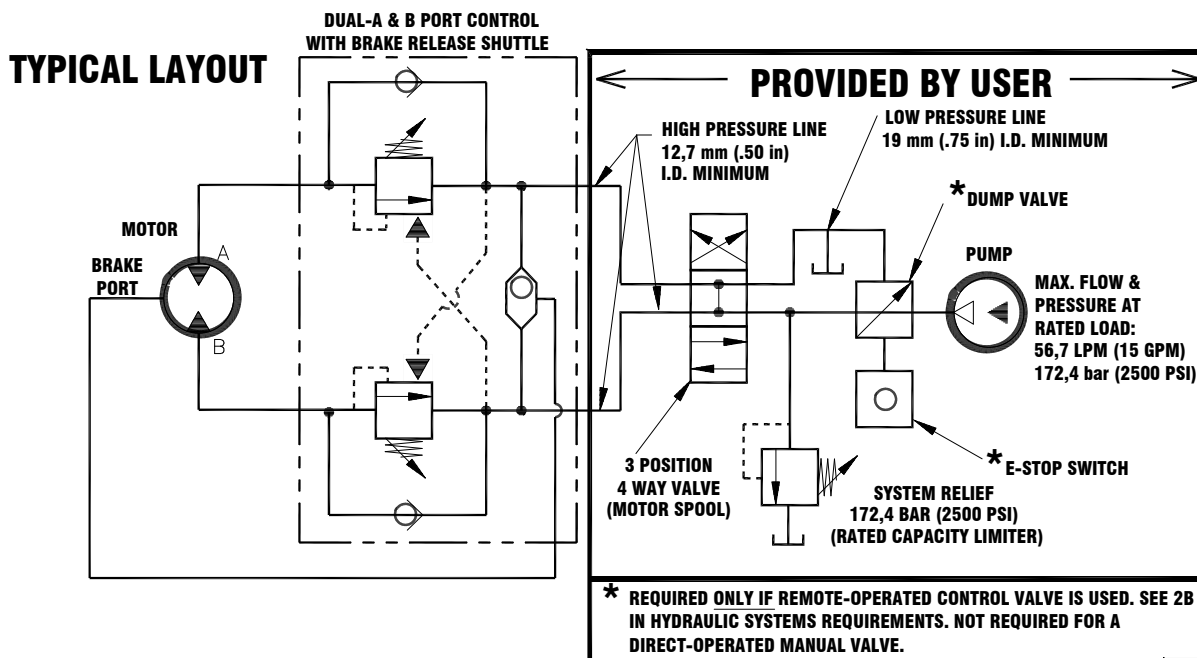
TO DISENGAGE CLUTCH: Run the winch in the reverse (reel out) direction until load is off the rope. Apply air pressure to the .125-27 NPT port: 5,5 bar (80 PSI) (min.)- 10,3 bar (150 PSI) (max.). **CAUTION: PRESSURE MUST NOT EXCEED 10,3 bar (150 PSI).**

TO ENGAGE CLUTCH: Remove air pressure from the cylinder (a return spring engages the plunger). Run winch in reverse until the clutch engagement indicator light (green light) is lit. To install light to the vehicle electrical system refer to the Electrical Schematic on page 12.

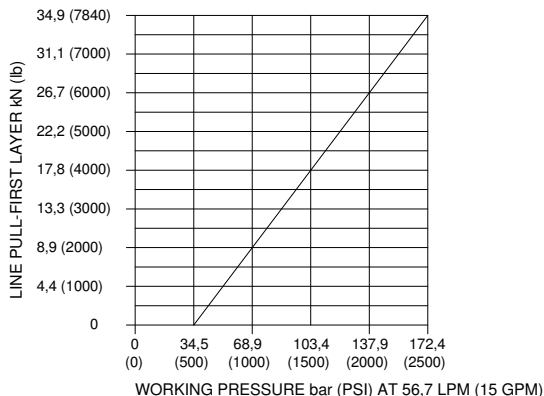
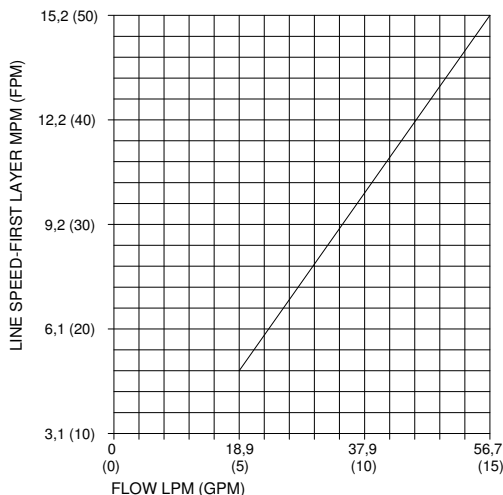
Refer to the performance charts below to properly match your hydraulic system to the winch performance. The charts consist of: (1) Line Pull first layer kN (lb) vs. Working Pressure bar (PSI). (2) Line Speed, first layer MPM (FPM) vs. flow LPM (GPM).

HYDRAULIC SYSTEM REQUIREMENTS

1. Motor spool (open center) control valve
2. Emergency Stop:
 - A. If winch is controlled by a direct-operated manual valve, that valve serves as the E-stop.
 - B. If a remote operated control valve is used, a solenoid-operated hydraulic dump valve, normally open to tank, and an emergency stop switch (to open the dump valve) is required. The E-stop switch is to be normally closed and have a red, resettable push button actuator with a yellow background. The E-stop switch must be easily accessible to the operator.
3. Relief valve set to 172,4 bar (2500 psi) which is the rated capacity limiter.
4. Flow rate of 56,7 LPM (15 GPM) maximum. Do not exceed 75,7 LPM (20 GPM) or motor and winch may be damaged.
5. Hydraulic fluid with a viscosity between 20-43 cSt (100-200 SUS). Maximum operating temperature 85C (180F). Cleanliness level of ISO 17-14 or better.



PERFORMANCE CHARTS



BASED ON 254 cc (15.5 cu in) MOTOR

TROUBLESHOOTING GUIDE

CONDITIONS	POSSIBLE CAUSE	CORRECTION/ACTION
DRUM WILL NOT ROTATE AT NO LOAD	Winch not mounted squarely, causing end bearing to bind up	Check mounting. Refer to Winch Mounting, page 4.
	Gears damaged	Inspect and replace damaged gears
DRUM WILL NOT ROTATE UNDER LOAD	Winch not mounted squarely, causing end bearing to bind up	Check mounting. Refer to Winch Mounting, page 4.
	Load greater than rated capacity of winch	Refer to Specifications page 3 for line pull rating.
	Low hydraulic system pressure	Check pressure. Refer to Hydraulic Systems performance charts page 6.
WINCH RUNS TOO SLOW	Low hydraulic system flow rate	Check flow rate. Refer to System Requirements and Typical Layout page 6.
	Motor worn out	Replace motor
DRUM WILL NOT FREESPOOL	Clutch not disengaged. Check Adjustment of Manual Shifter, page 9.	Check Operation, page 5.
	Winch not mounted squarely, causing end bearing to bind up	Check mounting. Refer to Winch Mounting, page 4.
	Side mounted bolts too long, causing binding of ring gear (Item #15, page 14).	Check bolt length. Bolt thread MUST NOT engage threaded holes in sides of end bearing more than the 12,7 mm (.50 in) thread depth in the end bearing.
BRAKE WILL NOT HOLD	Incorrect directional control valve (cylinder spool-closed center)	Use only a motor spool (open center) control valve.
LOAD DRIFTS	Excessive Backpressure 6,9 bar (100 PSI) Max.	Check for restrictions in hydraulic system. Refer to System Requirements and Typical Layout page 6.
ROPE BIRDNESTS WHEN CLUTCH IS DISENGAGED	Drag screw improperly adjusted	Adjust nylon drag screw. Refer to Rope Installation, page 4.
EXCESSIVE NOISE	Hydraulic system flow too high	Check flow rate. Refer to Typical Layout page 6.
	Drum in bind, winch not mounted squarely	Check mounting. Refer to Winch Mounting, page 4.
DRUM CHATTERS IN "REEL IN" DIRECTION	Low hydraulic system flow rate	Check flow rate. Refer to Typical Layout page 6.
	Low hydraulic system relief pressure setting	Check relief valve setting.
OIL LEAKS FROM BREATHER VENT UNDER MOTOR END BEARING	Damaged brake o-rings, backup rings, or sealing surfaces	Disassemble brake and inspect. See Overhaul Instructions, pg. 8.

END OF SERVICE MEASURES

When winch reaches the end of its serviceable life, dispose of per local environmental regulations.

INSTRUCTIONS FOR OVERHAUL HD-P8000 SERIES WINCH

Take note of mounting configurations for proper mounting of parts during re-assembly. Replace all gaskets, o-rings, and seals during re-assembly.

Disconnect tube (item #41) from elbow fittings (items #24) on bottom of end bearing and counterbalance valve (item #42). Remove motor (item #27) from end bearing by slowly unscrewing capscrews (items #18). **CAUTION: MOTOR IS UNDER SPRING PRESSURE.**

Check breather vent (item #45). Make sure it is not clogged. If oil is leaking from vent, check brake o-rings, backup rings, and sealing surfaces (see page 10).

Remove springs (items #40) from pockets and inspect for damage.

Replace gasket (item #25).

Remove coupling (item #23) from end bearing. Examine coupling for signs of wear, replace if necessary. If necessary, remove counterbalance valve from motor by removing capscrews (items #14).

Remove retaining rings (items #39 and #48) with screwdriver.

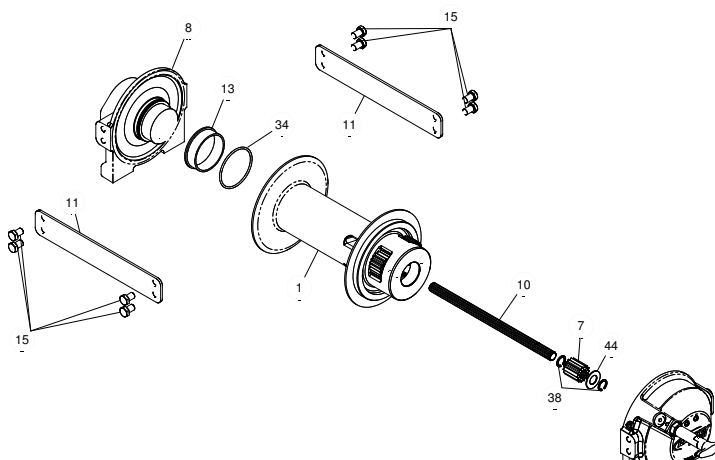
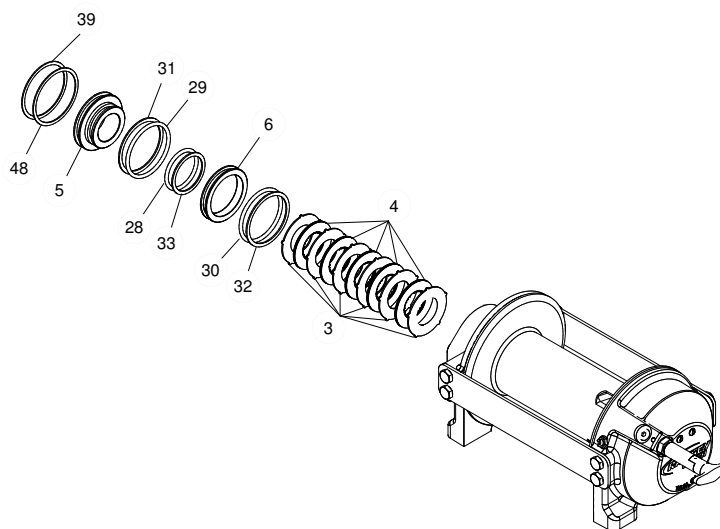
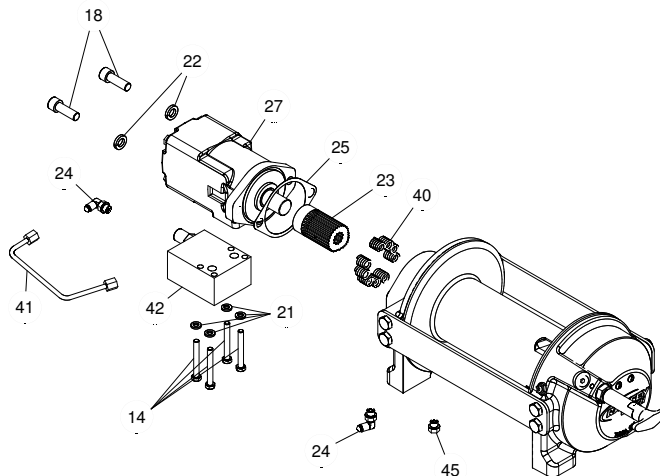
Remove brake parts from end bearing. NOTE POSITION OF O-RINGS AND BACKUP RINGS BEFORE REMOVAL. Examine brake discs (items #4) and stators (items #3) for signs of wear, and replace if necessary.

Examine o-rings (items #28 and 29) and backup rings (items #31 and 33) in brake piston (item #5), as well as o-ring (item #30) and backup ring (item #32) in backup brake piston (item #6) for signs of wear. Remove o-rings and backup rings from grooves in brake piston or backup brake piston and replace if necessary.

Remove tie plates (items #11) from end bearings by unscrewing capscrews (items #15). Slide motor end bearing (item #8) and drum (item #1) from gear housing end bearing.

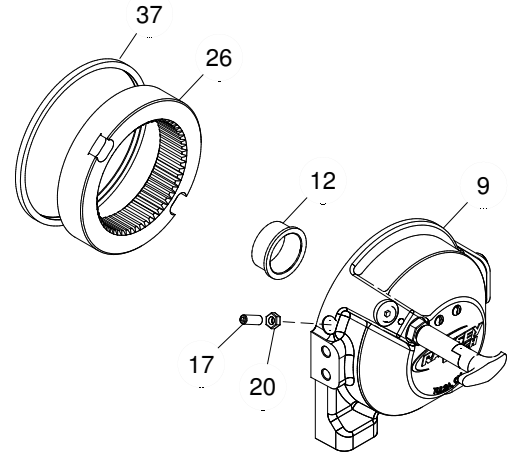
Remove input shaft (item #10) from end bearing. Inspect shaft and output sun gear (item #7) for damage and replace if necessary. To remove the output sun gear, remove the snap rings (items #38) and thrust washer (item #44) and pull off the end of the shaft.

Remove bushing (item #13) and o-ring (item #34) from motor end bearing. Place new, well-oiled o-ring into groove inside of end bearing and press new bushing onto end bearing.



Remove seal (item #37) from gear housing end bearing (item #9). Loosen nut (item #20) and remove nylon setscrew (item #17). Remove ring gear from gear housing end bearing, if necessary. Remove bushing (item #12) from end bearing.

Press new bushing into end bearing. Install ring gear, then nylon setscrew and nut. Ring gear must be fully seated in end bearing and slot in ring gear **MUST NOT** be aligned with clutch shifter hole. Install new seal in end bearing, with sharp edge of seal outward.



Generously apply grease (MOBILITH SHC 007) to teeth of ring gear (item #26), teeth of planet gears in drum (item #1), and to bushing (item #12) in gear housing end bearing. Apply a small amount of grease to base of bushing (item #13) on motor end bearing. Apply grease to teeth of output sun gear (item #7) and input shaft (item #10).

Place end of shaft with output sun gear on it into drum (item #2). Rotate shaft to engage planet gears with output sun gear. Place Gear End Bearing on Drum and engage planet gears with ring gear.

Assemble motor end bearing (item #8) to drum assembly and use tie plates (items #11) and capscrews (items #15) to hold both end bearings together. Tighten capscrews to 75 Nm (55 ft-lb).

If necessary, remove and replace the shifter assembly (manual, item #2, or air-cylinder, item #3), as follows:

MANUAL CLUTCH SHIFTER ASSEMBLY

Loosen setscrew (item #19) and jam nut, then unscrew shifter assembly (item #2). Be sure slot in ring gear is not aligned with clutch shifter hole. Rotate drum, if necessary, to ensure hole and slot are not aligned.

Reinstall shifter assembly with plunger, jam nut, and handle positioned in gear housing as shown below. Thread assembly (with handle engaged in cylinder slot) into the gear housing. Pull drum toward the gear end bearing housing to remove play. Hold drum in position and continue threading the shifter assembly in until the gap between the end of the handle and cylinder is $11,1 \text{ mm } +0 \text{ } -1,6 \text{ mm}$ ($7/16 \text{ } +0 \text{ } -1/16 \text{ in}$) and handle is in the horizontal position (see below). **Note:** This gap will vary with drum endplay. With the drum pulled against the motor end housing, the gap should be 9,5 mm (3/8 in).

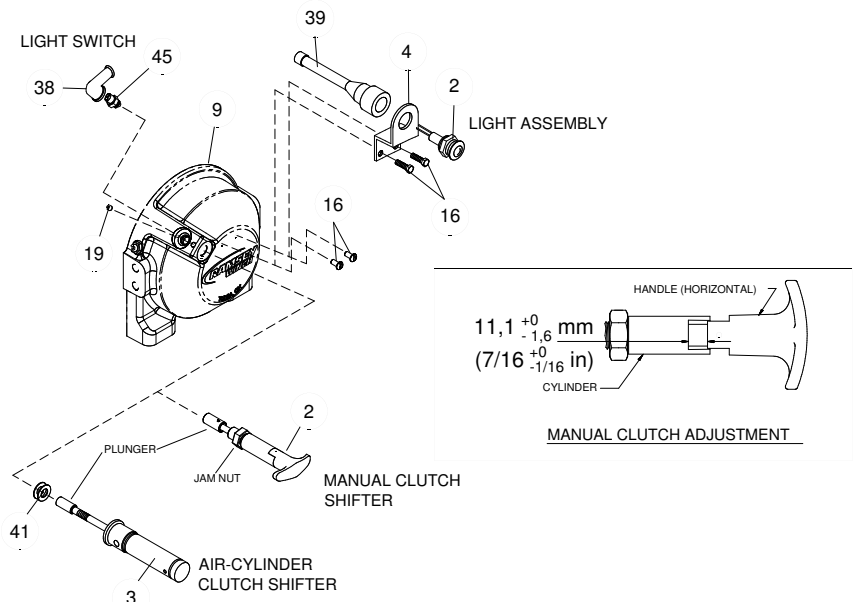
Lightly tighten jam nut. Rotate drum until handle snaps fully into the engaged position. Pull handle out and rotate 90°. Verify that drum can be rotated freely (at least one full revolution) with clutch shifter at the

DISENGAGED position. Securely tighten jam nut while holding the handle. Tighten setscrew (item #19) securely. Re-check clutch operation as described on page 5.

AIR CYLINDER SHIFTER ASSEMBLY

Loosen set screw (item #19) to remove shifter assembly (item #3). To reinstall, place 1 or 2 shims (items #41) over plunger and thread shifter assembly into gear end housing. Add or remove shims to orient ports for pneumatic connections. Ports should point down (below horizontal). Tighten setscrew. Check for clutch operation as described on page 5.

If the light assembly (item #2) or light switch (item #45) needs to be replaced, refer to the schematic on page 12 for electrical connections and disassemble and reassemble as shown.



Set winch with gear housing end down on work surface.

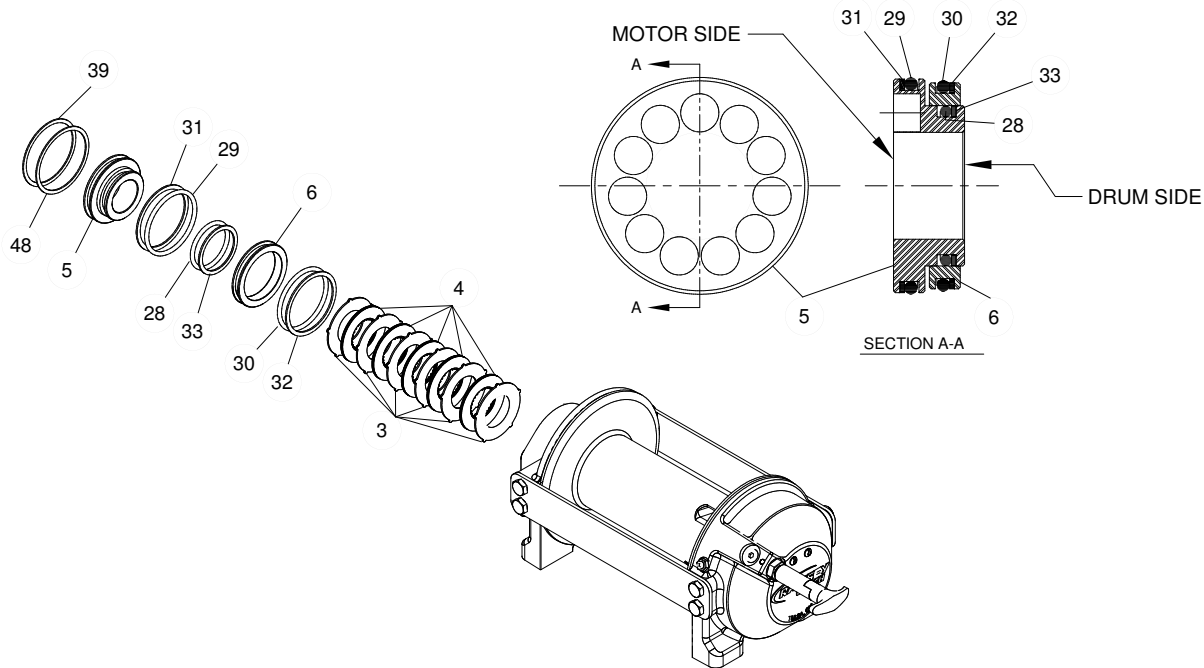
Install well-oiled o-rings and backup rings into grooves on outside of brake piston and backup brake piston as shown in cross-section A-A below.

Piston, backup piston, brake discs and stators must be clean and free of grease and oil.

Insert brake discs (item #4) and stators (item #3) into gear end alternating, with stators first and last.

Insert backup brake piston (item #6) into motor end and insert brake piston (item #5) into it. **Apply even pressure on piston when installing.**

Install retaining rings (item #39 and #48) into grooves in motor end housing.



Insert springs (item #40) into pockets in back of brake piston. The two empty pockets should be on opposite sides.

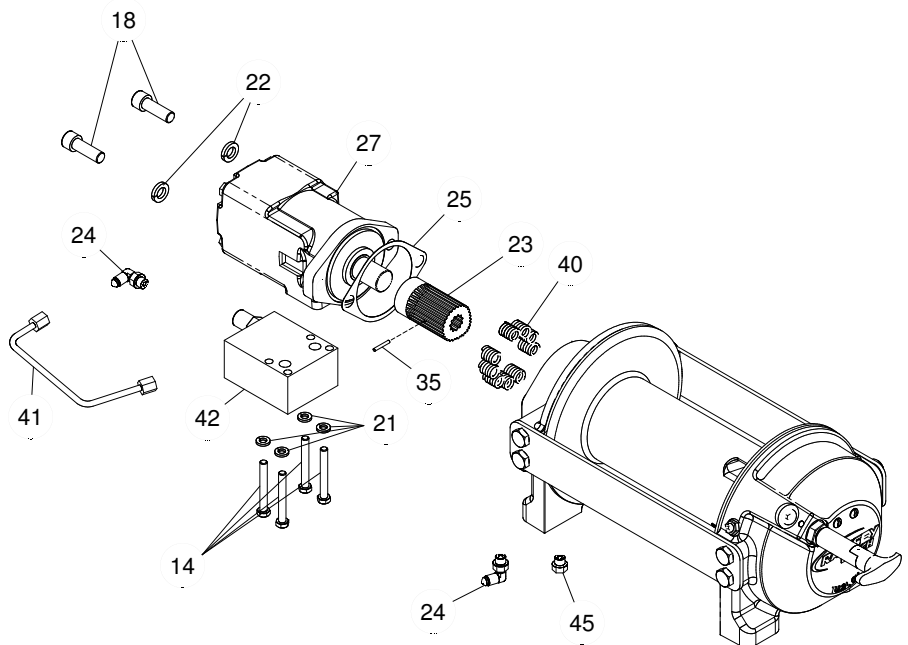
Install roll pin (item #35) into new motor coupling below bottom of spline teeth. Insert motor coupling (item #23), engaging it with the discs and the input shaft.

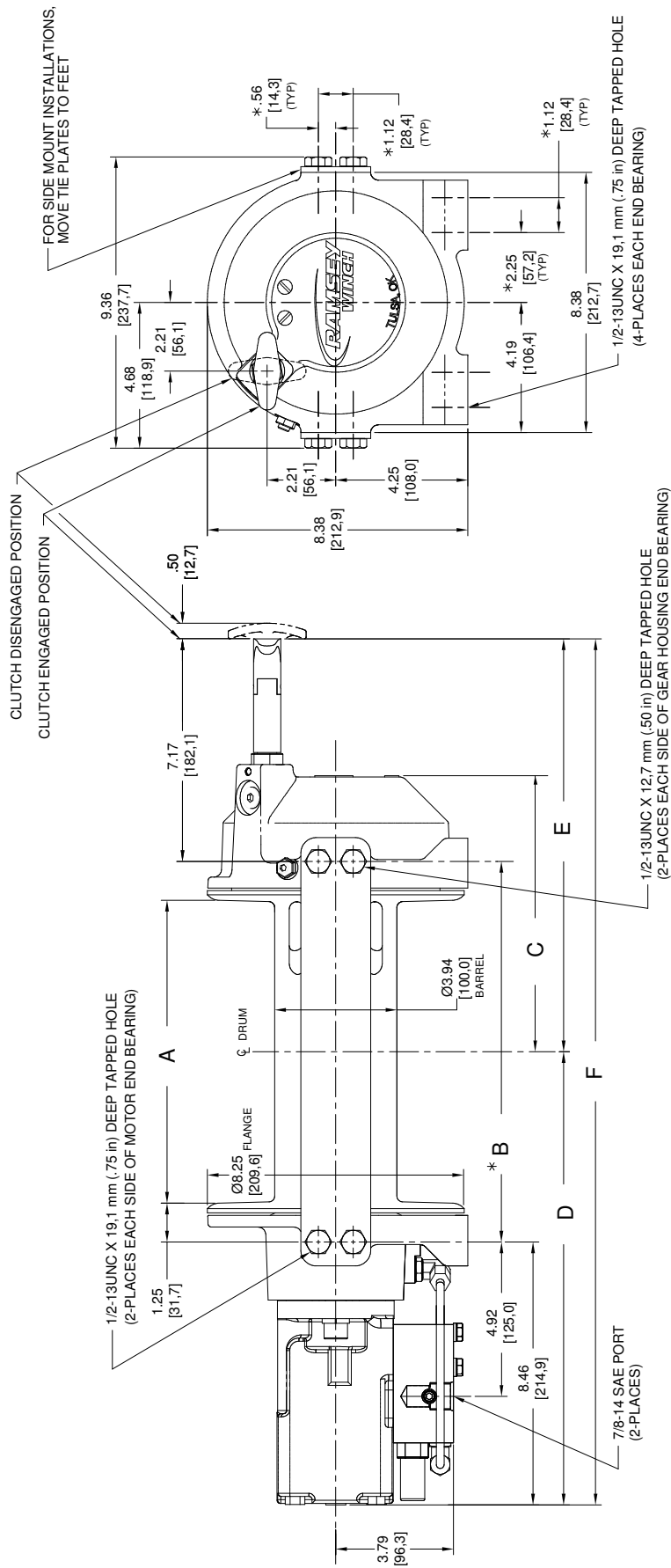
Place gasket (item #25) on mounting surface of motor (item #27). Slide motor shaft into coupling. Attach motor to motor end bearing housing using (2) cap screws (item #18) and (2) lockwashers (item #22). Evenly tighten to 66 Nm (49 ft-lb) torque.

Install the counterbalance valve (item #42) to the motor using (4) cap screws (item #14) and (4) lockwashers (item #21). Tighten to 23 Nm (17 ft-lb).

Securely connect fittings (item #24) to motor end housing and counterbalance valve, and connect tube assembly (item #41) to fittings.

Apply at least 37,9 bar (550 PSI) hydraulic system pressure to brake and verify that brake releases (winch drum will rotate).

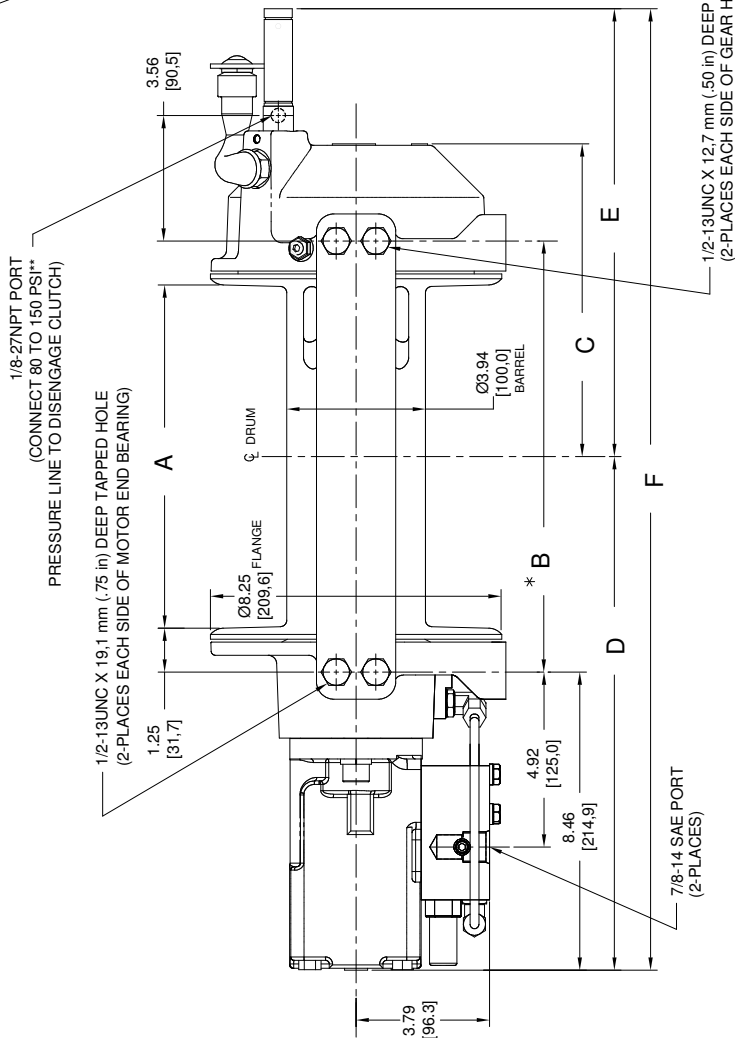
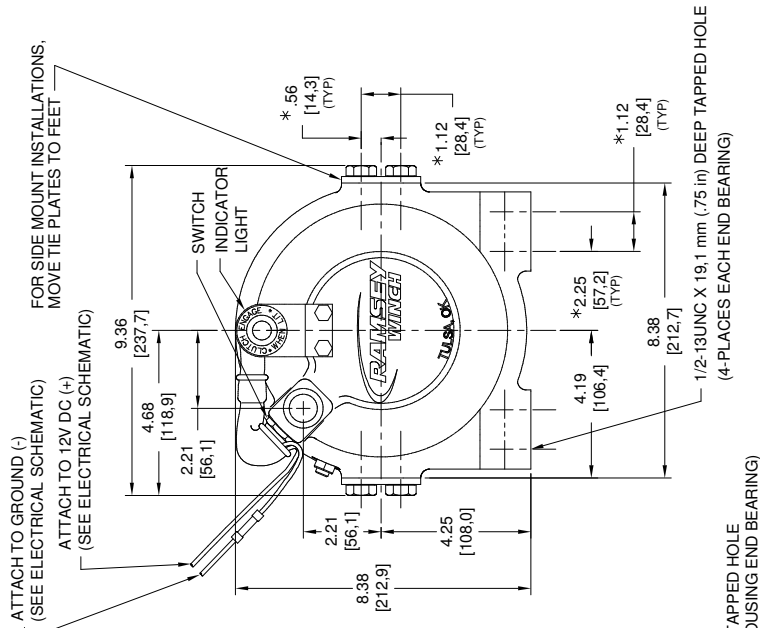




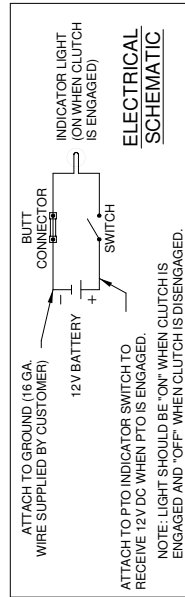
WINCH MODEL	A	B	C	D	E	F
	in	in	in	in	in	in
HD-P 34,9	9.75	12.25	8.87	14.60	13.28	27.89
STD. DRUM	247.7	311.2	225.3	370.9	337.4	708.3
HD-P 34,9	6.50	9.00	7.24	12.98	11.66	24.64
"Y" DRUM	165.1	228.6	184.0	329.6	296.2	625.8

- NOTES:
1. DIMENSIONS SHOWN ARE INCHES OVER MILLIMETERS.
 2. WINCH MOUNTING CAPSCREWS MUST MEET OR EXCEED SAE GRADE 5 SPECIFICATION.
 - * 3. THESE HOLE LOCATIONS MUST BE HELD WITHIN ± 0.8 mm (.03 in) OF TRUE POSITION. RECOMMENDED MOUNTING HOLE DIAMETER IS 13.5 mm (.53 in).
 4. "A" ROTATION SHOWN.

HD-P 34,9 MANUAL SHIFT



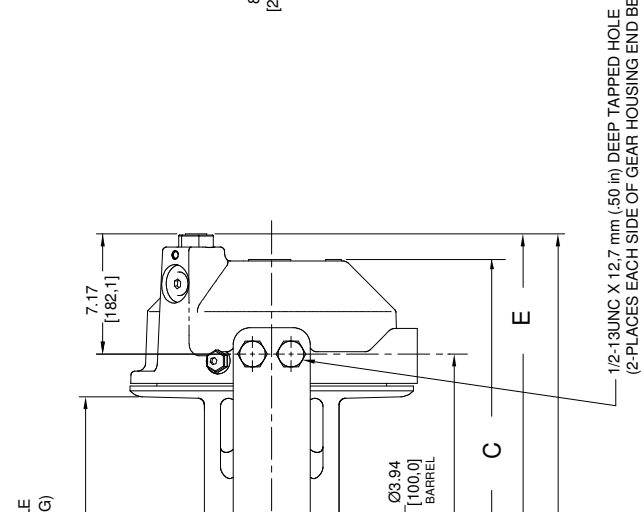
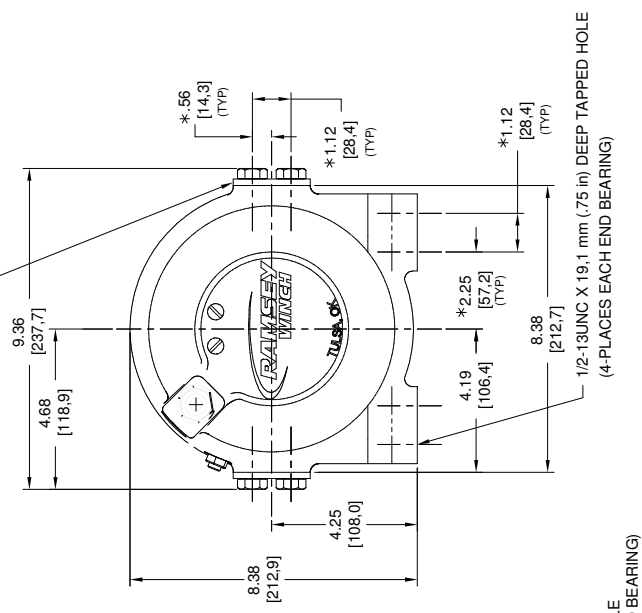
- NOTES:
1. DIMENSIONS SHOWN ARE INCHES OVER MILLIMETERS.
 2. WINCH MOUNTING CAPSCREWS MUST MEET OR EXCEED SAE GRADE 5 SPECIFICATION.
 - * 3. THESE HOLE LOCATIONS MUST BE HELD WITHIN ± 0.8 mm (.03 in) OF TRUE POSITION. RECOMMENDED MOUNTING HOLE DIAMETER IS 13.5 mm (.53 in).
 - ** 4. CAUTION: PRESSURE MUST NOT EXCEED 150 PSI.
 5. "A" ROTATION SHOWN.



WINCH MODEL	A	B	C	D	E	F
	in	in	in	in	in	in
	mm	mm	mm	mm	mm	mm
HD-P 34.9	9.75	12.25	8.87	14.60	12.72	27.31
STD. DRUM	247.7	311.2	225.3	370.9	323.1	693.7
HD-P 34.9	6.50	9.00	7.24	12.98	9.47	24.06
"Y" DRUM	165.1	228.6	184.0	329.6	240.6	611.1

HD-P 34,9 AIR SHIFT

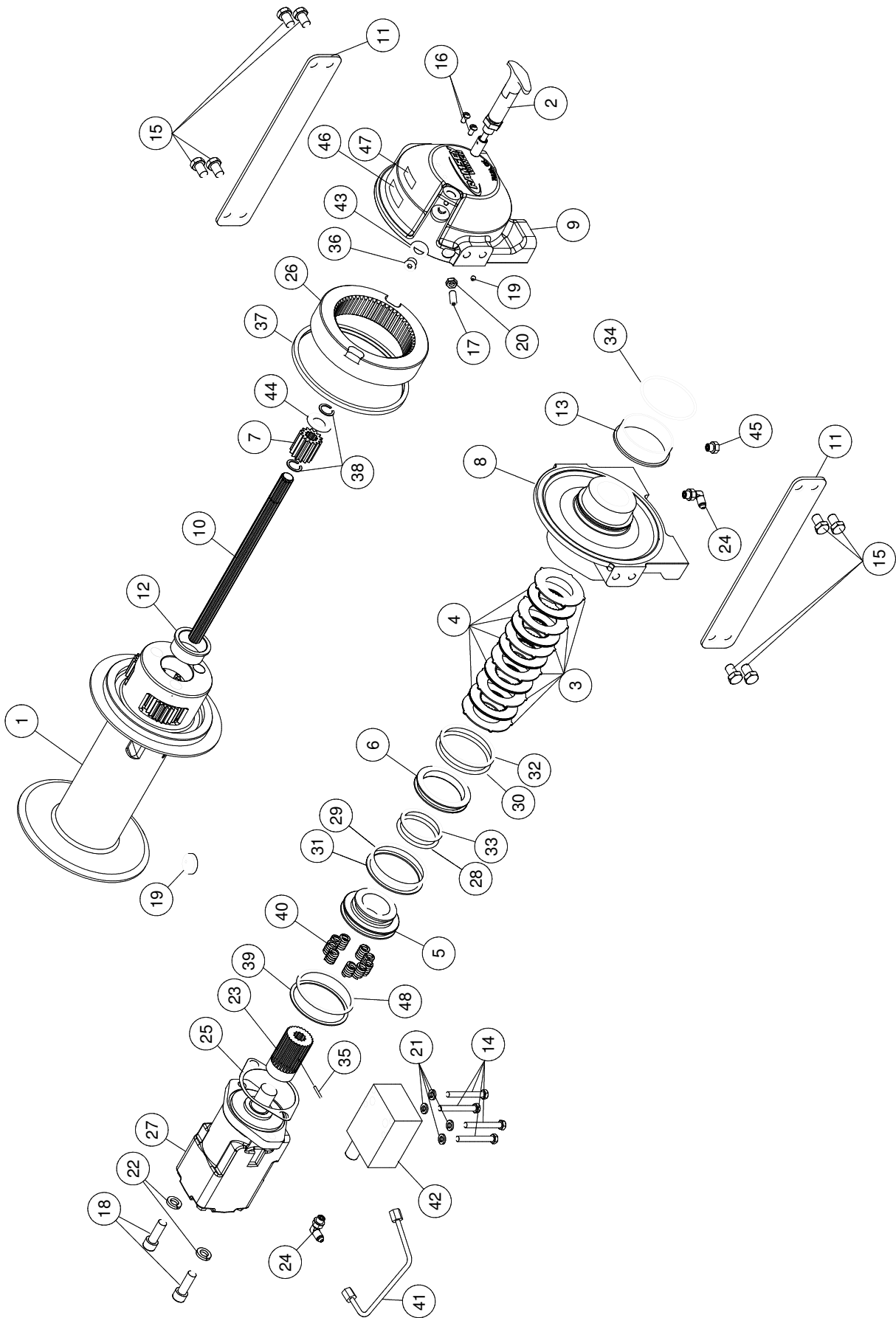
FOR SIDE MOUNT INSTALLATIONS,
MOVE THE PLATES TO FEET



- NOTES:
1. DIMENSIONS SHOWN ARE INCHES OVER MILLIMETERS.
 2. WINCH MOUNTING CAPSCREWS MUST MEET OR EXCEED SAE GRADE 5 SPECIFICATION.
 - * 3. THESE HOLE LOCATIONS MUST BE HELD WITHIN ± 0.8 mm (.03 in) OF TRUE POSITION. RECOMMENDED MOUNTING HOLE DIAMETER IS 13.5 mm (.53 in).
 4. "A" ROTATION SHOWN.

WINCH MODEL	A	B	C	D	E	F
	in	in	in	in	in	in
	mm	mm	mm	mm	mm	mm
HD-P 34.9	9.75	12.25	8.87	14.60	9.62	24.22
STD. DRUM	247.7	311.2	225.3	370.9	244.3	615.2
HD-P 34.9	6.50	9.00	7.24	12.98	8.00	20.97
"Y" DRUM	165.1	228.6	184.0	329.6	203.2	532.6

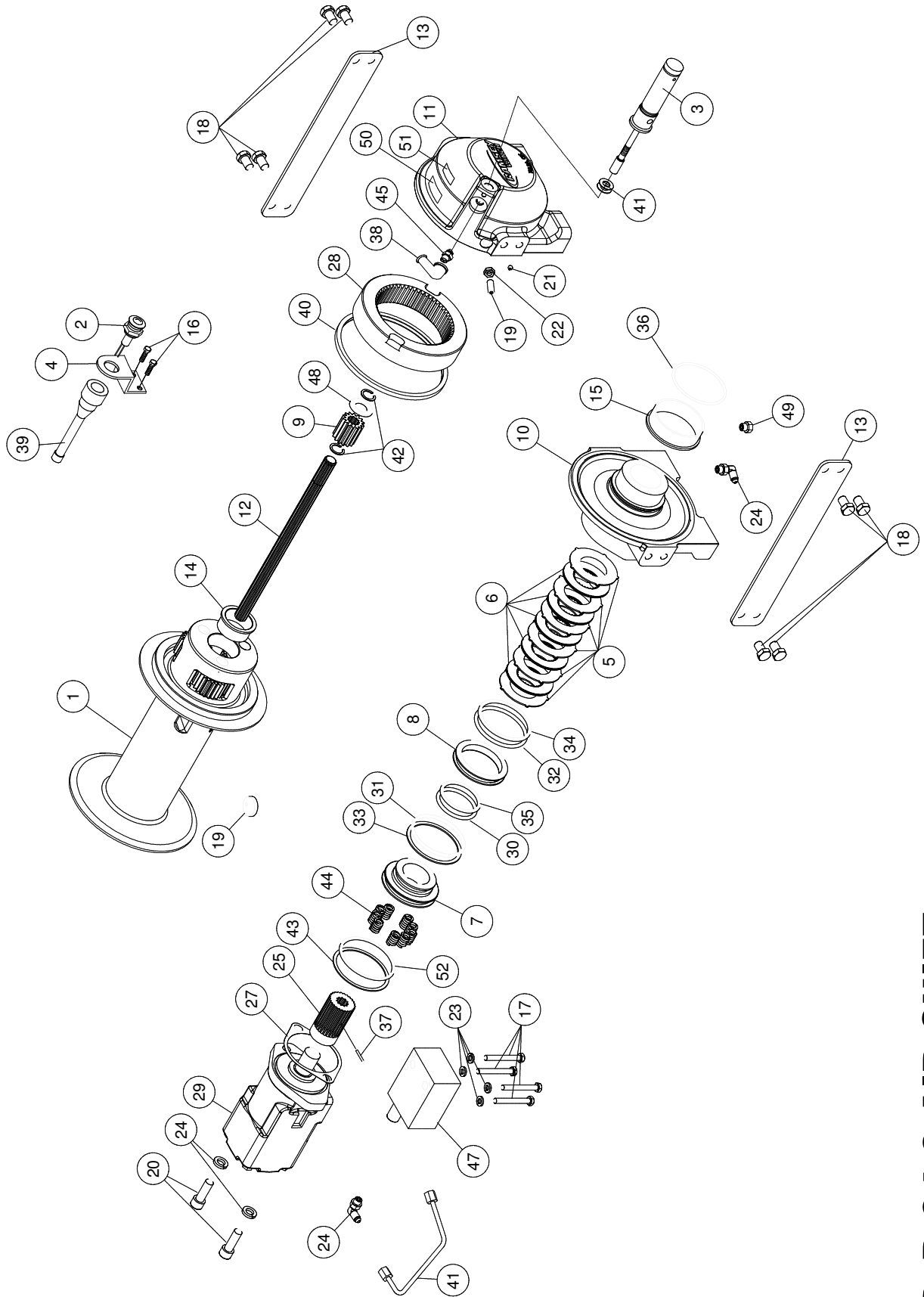
HD-P 34,9 BLOCKED CLUTCH



HD-P 34,9 MANUAL SHIFT

HD-P 34,9 MANUAL SHIFT PARTS LIST

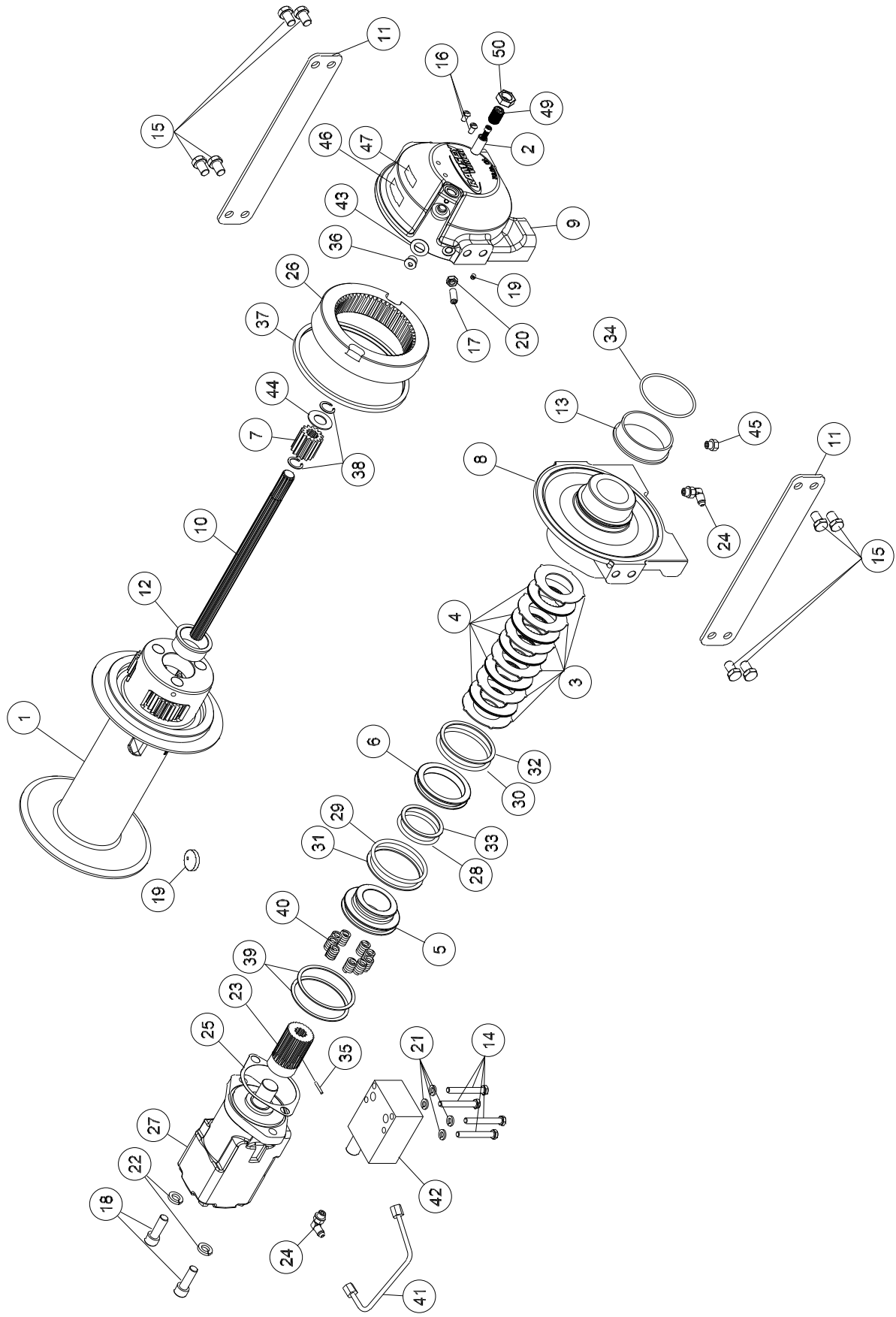
Item No.	Quantity	Part No.	Description
1	1	234224	DRUM ASSY STD
	1	234234	DRUM ASSY "Y"
2	1	276048	SHIFTER ASSY
3	6	330011	STATOR-BRAKE
4	5	330012	DISC-BRAKE
5	1	330013	PISTON-BRAKE
6	1	330014	PISTON-BACKUP BRAKE
7	1	334174	GEAR-OUTPUT, SUN
8	1	338358	END BEARING-MOTOR
9	1	338359	END BEARING-GEAR HOUSING
10	1	357177	SHAFT-INPUT STD DRUM
	1	357176	SHAFT-INPUT "Y" DRUM
11	2	395427	PLATE-TIE STD DRUM
	2	395426	PLATE-TIE "Y" DRUM
12	1	412085	BUSHING-DRUM
13	1	412109	BUSHING-DRUM, MOTOR END
14	4	414159	CAPSCREW-5/16-18UNC X 2 1/2", HEX HEAD, ZINC, GR5
	4	414147	CAPSCREW-5/16-18UNC X 31/2", HEX HD,ZINC, GR5, (SIDE PORTS)
15	8	414581	CAPSCREW-1/2-13NC X 3/4", HEX HEAD, ZINC, GR5
16	2	414854	SCREW-1/4-20NC X 1/2", ROUND HEAD, SLOTTED, ZINC
17	1	414926	SETSCREW-3/8-16NC X 1", SOCKET HEAD, NYLON
18	2	414952	CAPSCREW-1/2-13NC X 1 1/2", SOCKET HEAD, ZINC
19	1	315008	ROPE ANCHOR
20	1	418036	NUT-3/8-16 NC, HEX JAM, ZINC
21	4	418163	LOCKWASHER-5/16 MED SECT, ZINC
22	2	418218	LOCKWASHER - 1/2 ID MED SECT, ZINC
23	1	431019	COUPLING-MOTOR
24	2	432018	FITTING
25	1	442223	GASKET-MOTOR FLANGE
26	1	444084	GEAR-RING
27	1	458074	MOTOR-HYD.
28	1	462067	O-RING PISTON-SM.
29	1	462068	O-RING PISTON-LG.
30	1	462069	O-RING BACKUP PISTON
31	1	462070	RING-BACKUP PISTON-LG
32	1	462071	RING-BACKUP BACKUP PISTON
33	1	462072	RING-BACKUP PISTON-SM
34	1	462073	O-RING
35	1	470033	SPIROL PIN
36	1	472052	PLUG
37	1	486080	SEAL
38	2	490003	SNAP RING
39	1	490049	RING-INTERNAL RETAINING
40	9	494124	SPRING-BRAKE
41	1	509132	TUBE-BRAKE RELEASE (PORTS DOWN)
	1	509131	TUBE-BRAKE RELEASE (PORTS UP)
	1	509133	TUBE-BRAKE RELEASE (SIDE PORTS)
42	1	516051	VALVE-MOTOR CONTROL (A ROTATION)
	1	516052	VALVE-MOTOR CONTROL (B ROTATION)
	1	516053	VALVE-MOTOR CONTROL (A ROT/SIDE PORTS)
43	1	518037	THRUST WASHER
44	1	518047	THRUST WASHER
45	1	456038	BREATHER VENT
46	1	434569	NAME TAG
47	1	434235	TAG - A ROTATION
	1	434236	TAG - B ROTATION
48	1	490066	RING-INTERNAL RETAINING



HD-P 34,9 AIR SHIFT

HD-P 34,9 AIR SHIFT PARTS LIST

Item No.	Quantity	Part No.	Description
1	1	234224	DRUM ASSY STD
	1	234234	DRUM ASSY "Y"
2	1	236020	LIGHT ASSY
3	1	276058	SHIFTER ASSY
4	1	312529	BRACKET - LIGHT ASSY
5	6	330011	STATOR-BRAKE
6	5	330012	DISC-BRAKE
7	1	330013	PISTON-BRAKE
8	1	330014	PISTON-BACKUP BRAKE
9	1	334174	GEAR-OUTPUT, SUN
10	1	338358	END BEARING-MOTOR
11	1	338359	END BEARING-GEAR HOUSING
12	1	357177	SHAFT-INPUT STD DRUM
	1	357176	SHAFT-INPUT "Y" DRUM
13	2	395427	PLATE-TIE STD DRUM
	2	395426	PLATE-TIE "Y" DRUM
14	1	412085	BUSHING-DRUM
15	1	412109	BUSHING-DRUM, MOTOR END
16	2	414036	CAPSCREW-1/4-20NC X 1/2", HEX HEAD, ZINC
17	4	414159	CAPSCREW-5/16-18UNC X 2 1/2", HEX HEAD, ZINC, GR5
	4	414147	CAPSCREW-5/16-18UNC X 3 1/2", HEX HD, ZINC, GR5 (SIDE PORTS)
18	8	414581	CAPSCREW-1/2-13NC X 3/4", HEX HEAD, ZINC, GR5
19	1	315008	ROPE ANCHOR
20	2	414952	CAPSCREW-1/2-13NC X 1 1/2", SOCKET HEAD, ZINC
21	1	416016	SETSCREW-1/4-20NC X 1/4" HEX SOCKET HEAD CUP
22	1	418036	NUT-3/8-16 NC, HEX JAM, ZINC
23	4	418163	LOCKWASHER-5/16 MED SECT, ZINC
24	2	418218	LOCKWASHER-1/2 ID MED SECT, ZINC
25	1	431019	COUPLING-MOTOR
26	2	432018	FITTING
27	1	442223	GASKET-MOTOR FLANGE
28	1	444084	GEAR-RING
29	1	458074	MOTOR-HYD.
30	1	462067	O-RING PISTON-SM.
31	1	462068	O-RING PISTON-LG
32	1	462069	O-RING BACKUP PISTON
33	1	462070	RING-BACKUP PISTON-LG
34	1	462071	RING-BACKUP BACKUP PISTON
35	1	462072	RING-BACKUP PISTON-SM
36	1	462073	O-RING
37	1	470033	SPIROL PIN
38	1	482013	RUBBER BOOT
39	1	482045	RUBBER BOOT
40	1	486080	SEAL
41	2	488007	SHIM
42	2	490003	SNAP RING
43	1	490049	RING-INTERNAL RETAINING
44	9	494124	SPRING-BRAKE
45	1	504021	SWITCH
46	1	509132	TUBE-BRAKE RELEASE (PORTS DOWN)
	1	509131	TUBE-BRAKE RELEASE (PORTS UP)
	1	509133	TUBE-BRAKE RELEASE (SIDE PORTS)
47	1	516051	VALVE-MOTOR CONTROL A ROTATION
	1	516052	VALVE-MOTOR CONTROL B ROTATION
	1	516053	VALVE-MOTOR CONTROL (A ROT/SIDE PORTS)
48	1	518047	THRUST WASHER
49	1	456038	BREATHER VENT
50	1	434569	NAME TAG
51	1	434235	TAG - A ROTATION
	1	434236	TAG - B ROTATION
52	1	490066	RING-INTERNAL RETAINING

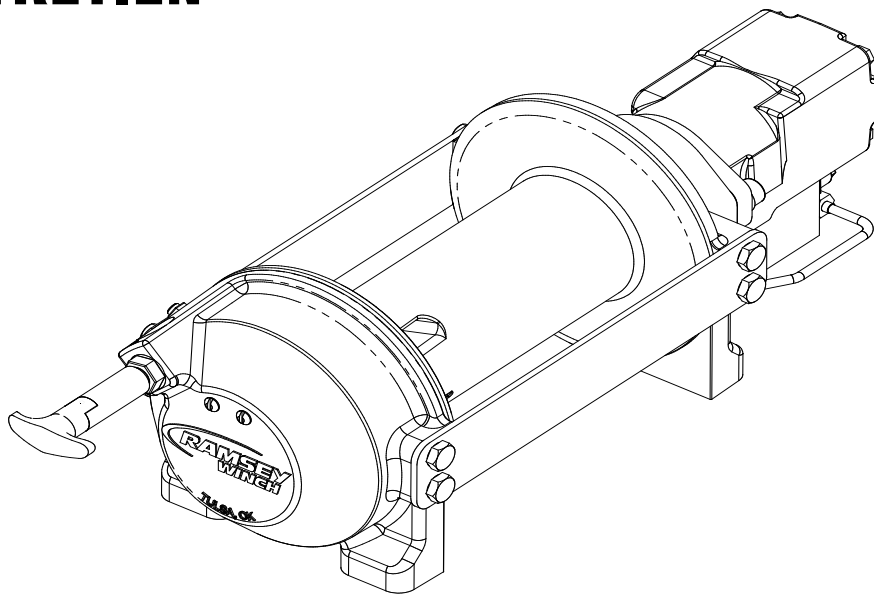


HD-P 34,9 BLOCKED CLUTCH



English (Original Instructions)	1
Français (Traduction des instructions originales) ..	20
Deutsch (Übersetzung der Originalanleitung)	39
Español(Traducción de las instrucciones originales).	58

MANUEL D'UTILISATION, DE DÉPANNAGE ET D'ENTRETIEN



TREUIL PLANÉTAIRE MODÈLE HD-P 34,9

UTILISATION PRÉVUE : DÉPANNAGE DE VÉHICULE ET TRACTION DE CHARGES



MISE EN GARDE : ASSUREZ-VOUS DE LIRE ET DE COMPRENDRE CE MANUEL AVANT D'INSTALLER ET D'UTILISER LE TREUIL. LISEZ LES AVERTISSEMENTS !

Ramsey Winch Company

P.O. Box 581510 - Tulsa, OK 74158-1510 États-Unis
Téléphone : +1-(918) 438-2760 - Télécopieur : +1-(918) 438-6688
Visitez notre site Web à l'adresse <http://www.ramsey.com>

Ramsey Représentant autorisé dans la communauté:
(Veuillez prendre contact uniquement pour des questions réglementaires.)

Alura Group BV
P.O. Box 18626
2502 EP The Hague
The Netherlands
Tel: (31) (0) 70 362-4896
Fax: (31) (0) 70 346-7299

TABLE DES MATIÈRES

INTRODUCTIONS	23
RESPONSABILITÉ DE L'UTILISATEUR POUR CONFORMITÉ AUX NORMES CE	23
CARACTÉRISTIQUES TECHNIQUES	23
AVERTISSEMENTS	23
FIXATION DU TREUIL	24
POSE DU CÂBLE	24
ENTRETIEN	25
FONCTIONNEMENT	25
CARACTÉRISTIQUES DU SYSTÈME HYDRAULIQUE	26
INSTALLATION TYPE	26
DIAGRAMMES DE PERFORMANCES	26
GUIDE DE RÉOLUTION DES PROBLÈMES	27
FIN DE LA PROCÉDURE D'ENTRETIEN	28
INSTRUCTIONS DE RÉVISION	28-30
PLANS COTÉS	31-33
LISTE ET SCHÉMAS DES PIÈCES	34-39
DÉCLARATION DE CONFORMITÉ CE	40

CARACTÉRISTIQUES TECHNIQUES*

Traction du câble, première couche	34,9 kN (7 840 lb)				
Niveau sonore	75 db				
Plage de température ambiante	28 °C à 60 °C				
Démultiplication	5.1:1				
Poids (sans le câble)	TAMBOUR STD.	37.2 Kg (82lb)			
	TAMBOUR « Y »	34.5 Kg (76 lb)			
COUCHE DE CÂBLE	1	2	3	4	
Traction du câble par couche	kN	34,9	29,3	25,3	22,2
	lb	7,840	6,600	5,700	5,000

*Capacité de câble par couche

TAMBOUR STD	m	7	16	25	38
	pi	25	55	85	125
TAMBOUR «Y»	m	4	10	16	25
	pi	15	35	55	85
*Vitesse du câble à 56,7 l/min (15 g/min)	m/min	15,2	17,6	20,3	23,1
	pi/min	50	58	67	76
*Ces caractéristiques se fondent sur un câble en acier recommandé de 11 mm (0,433 po), calibre 1960, et sur un moteur de 408 cm ³ (24,9 po ³ /tr.					

AVERTISSEMENTS :

**L'UTILISATEUR DOIT VEILLER À CE QUE TOUT OPÉRATEUR REÇOIVE LA FORMATION NÉCESSAIRE.
L'OPÉRATEUR DOIT TOUJOURS TRAVAILLER EN CONFORMITÉ AVEC LES INSTRUCTIONS D'UTILISATION.
UN DISTRIBUTEUR À TIROIR CYLINDRIQUE DE MOTEUR (CENTRE OUVERT) EST NÉCESSAIRE POUR LE
FONCTIONNEMENT DU FREIN.**

L'EMBRAYAGE DOIT ÊTRE COMPLÈTEMENT ENCLENCHÉ AVANT DE DÉMARRER LE TREUIL.

NE RELÂCHEZ JAMAIS L'EMBRAYAGE EN PRÉSENCE D'UNE CHARGE.

NE VOUS PLACEZ JAMAIS SOUS UNE CHARGE SOULEVÉE NI À PROXIMITÉ.

RESTEZ À L'ÉCART DU CÂBLE LORS DU TREUILLAGE. N'ESSAYEZ PAS DE GUIDER LE CÂBLE.

N'UTILISEZ PAS LE TREUIL POUR SOULEVER, MAINTENIR OU TRANSPORTER DES PERSONNES.

IL CONVIENT DE CONSERVER AU MINIMUM DEUX TOURS DE CÂBLE AUTOUR DU TAMBOUR POUR MAINTENIR LA CHARGE.

DANS LES APPLICATIONS DE TRANSPORT D'AUTOMOBILES, VEILLEZ À BIEN FIXER LE VÉHICULE SUR LE PORTE-VOITURES. LA CHARGE IMPOSÉE AU CÂBLE DU TREUIL NE DOIT PAS ÊTRE MAINTENUE PENDANT LE TRANSPORT. N'UTILISEZ PAS LE TREUIL COMME DISPOSITIF D'ATTACHE.

ÉVITEZ TOUTE SITUATION DE DÉPLACEMENT DE LA CHARGE OU D'À-COUPS. ÉVITEZ LES MOUVEMENTS SACCADÉS.

RESPONSABILITÉ DE L'UTILISATEUR POUR CONFORMITÉ AUX NORMES CE

- Utilisez uniquement un distributeur à tiroir cylindrique de moteur (centre ouvert) selon les caractéristiques du système hydraulique.
- En cas d'utilisation d'un distributeur de treuil commandé à distance, reportez-vous à la rubrique Caractéristiques du système hydraulique pour déterminer les composants à installer pour le dispositif d'arrêt d'urgence.
- Réglez la pression de décharge du système conformément aux instructions de la rubrique Caractéristiques du système hydraulique.
- Montez le treuil conformément aux instructions de montage du treuil.
- Installez un câble métallique de 10 mm, de classe de résistance 1960. Pour un tambour STD, la longueur de câble maximale est de 38 m pour un enroulement de quatre couches maximum. Pour un tambour Y, la longueur de câble maximale est de 25 m pour un enroulement de quatre couches maximum. Fixez le câble au tambour conformément aux instructions d'installation du câble. Le crochet doit être équipé d'un verrou de sécurité et doit avoir une résistance à la rupture minimale de 87 kN.

FIXATION DU TREUIL

INSTRUCTIONS DE MONTAGE IMPORTANTES POUR MAINTENIR L'ALIGNEMENT DES ÉLÉMENTS DU TREUIL PLANÉTAIRE :

Ce treuil doit absolument être monté correctement afin que les trois principales parties soient alignées (l'extrémité du moteur, le tambour du câble et l'extrémité de la boîte d'engrenages). Une usure excessive des bagues et les difficultés de déroulement du câble en roue libre sont souvent des symptômes de mauvais alignement.

À des fins de conformité, s'il s'agit d'un montage de treuil intermédiaire, il convient de fixer au moins une plaque de serrage aux pieds de fixation au bas du treuil pour maintenir l'alignement. Si le treuil est installé sur pieds, au moins une plaque de serrage doit être placée au point intermédiaire pour maintenir l'alignement.

Il est toujours souhaitable d'utiliser les deux plaques de serrage pour l'installation finale.

Il est conseillé d'utiliser le coffret de montage sur cornières, n° 251006 (pour tambour « Standard ») et n° 251007 (pour tambour « Y ») pour faciliter l'installation du treuil.

Ce coffret convient aux installations verticales ou intermédiaires, et constitue une surface de montage droite et solide.

Si vous installez le treuil sans le coffret de cornières Ramsey recommandé, il convient alors d'utiliser les trous de fixation décrits en page 31-33. La surface de fixation doit être plane, à 0,38 mm (0,015 po) près, et suffisamment rigide pour ne pas fléchir. Si une plaque d'acier est employée pour l'installation sur pied, elle doit avoir 19 mm (0,75 po) d'épaisseur. Pour ce type de montage, vous aurez besoin de huit vis d'assemblage 1/2-13 NC x 1,5 po de long, grade 5, avec leurs rondelles de sécurité. Ces vis devront être serrées à un couple de 115 Nm (85 pi-lb).

REMARQUE : Si des cornières ou une plaque d'acier sont utilisées pour l'installation du treuil, les plaques de serrage fournies doivent être fixées aux cales de montage restantes, qu'elles soient latérales ou inférieures.

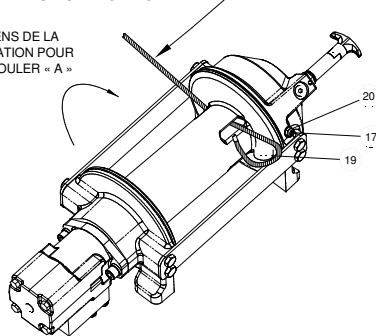
POSE DU CÂBLE

Un autocollant « A » ou « B » placé sur le dessus du palier d'extrémité indique le sens de l'enroulement du câble. La lettre « A » ou « B » figure aussi sur le palier d'extrémité, côté embrayage, pour indiquer le sens de rotation. Si cet autocollant est détérioré ou illisible, contactez le service clientèle pour savoir comment déterminer le sens de rotation correct. **Pour inverser le sens de rotation, intervertir les positions de la cartouche et du bouchon (illustrées à la page 22).**

1. Déroulez le câble sur le sol pour éviter qu'il ne se torde. Recouvrez bien l'extrémité du câble opposée au crochet avec un ruban adhésif plastique ou de type équivalent pour éviter qu'il ne s'effiloche.
2. Insérez le câble dans la partie étroite du logement, contre la collerette du tambour. Enroulez le câble autour du galet d'ancrage (pièce n° 19) et rentrez les deux dans l'extrémité large du logement. Utilisez un marteau-caoutchouc pour acheminer l'arrière du câble, en le plaçant fermement avec le galet d'ancrage dans le logement.
3. Faites tourner avec précaution le treuil dans le sens de l'enroulement. Maintenez une tension sur l'extrémité du câble et enroulez tout le câble sur le tambour en veillant à former des couches régulières.

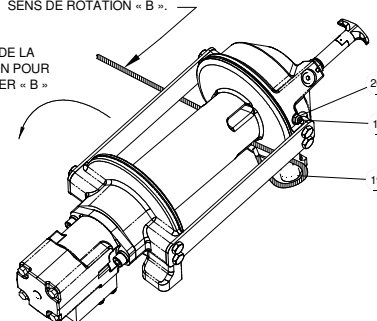
INSÉREZ LE CÂBLE COMME INDIQUÉ POUR L'ENROULEMENT PAR LE DESSUS, SENS DE ROTATION « A ».

SENS DE LA ROTATION POUR ENROULER « A »



INSÉREZ LE CÂBLE COMME INDIQUÉ POUR L'ENROULEMENT PAR LE DESSOUS, SENS DE ROTATION « B ».

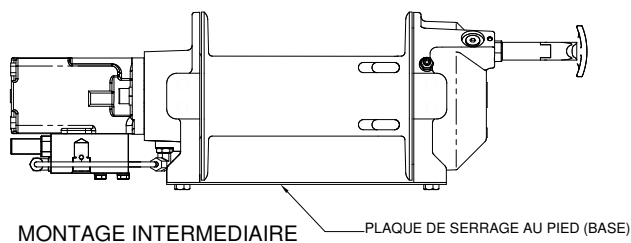
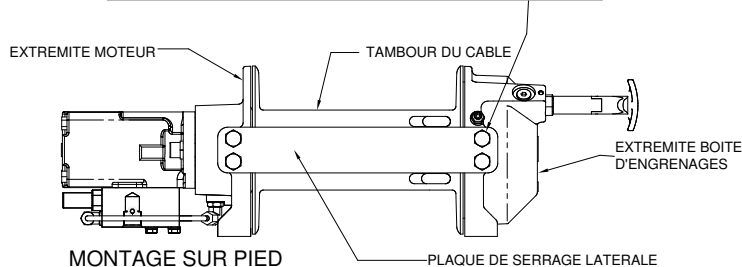
SENS DE LA ROTATION POUR ENROULER « B »

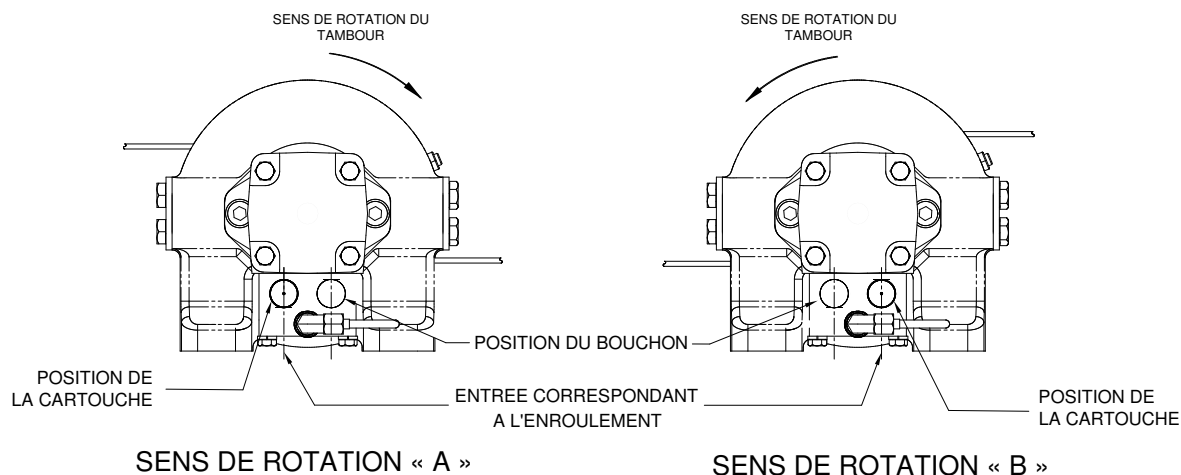


Après la pose du câble, vérifiez la rotation libre du tambour. Désenclenchez l'embrayage et tirez sur le câble en marchant. Si le câble se détend et forme des boucles autour du tambour, desserrez le contre-écrou (pièce n° 20) et tournez la vis en Nylon (pièce n° 17) dans le sens des aiguilles d'une montre pour augmenter le frottement sur le tambour. Si le frottement est trop important, desserrez cette vis en la tournant dans le sens inverse des aiguilles d'une montre. Resserrez le contre-écrou une fois le réglage correct obtenu.

MISE EN GARDE : TOUT SERRAGE EXCESSIF DU CONTRE-ÉCROU POURRAIT FAUSSER LE FILET DE LA VIS EN NYLON.

MISE EN GARDE : En cas d'utilisation de boulons plus longs (grade 5 minimum) pour la fixation du treuil ou d'un guide à galets au niveau des cales de fixation latérales, la longueur des boulons doit permettre un engagement des filets d'au moins 12,7 mm (0,5 po) dans les trous taraudés sur les cotés de chaque palier d'extrémité. Des boulons trop longs endommageraient le treuil et empêcheraient le tambour de tourner librement. Serrez les boulons à un couple de 75 Nm (55 pi-lb).





ENTRETIEN

1. Examinez l'état du câble et lubrifiez-le fréquemment. Tout câble effiloché ou comportant des brins brisés doit être remplacé immédiatement.
2. Assurez-vous que l'embrayage est complètement enclenché. Reportez-vous aux instructions de la rubrique FONCTIONNEMENT, ci-dessus, selon le type d'embrayage. **POUR LES EMBRAYAGES MANUELS UNIQUEMENT** : Tous les mois, désenclenchez l'embrayage, placez plusieurs gouttes d'huile sur l'arbre de la poignée d'embrayage, puis embrayez-débrayez plusieurs fois pour lubrifier l'intérieur.
3. Assurez-vous que le câble ne se détend pas lors du déroulement libre. Le cas échéant, reportez-vous à la page 24.
4. Remplacez les bagues du tambour ainsi que les joints lorsqu'ils commencent à perdre de la graisse. Reportez-vous aux instructions de révision en page 28. Le cas échéant, ajoutez du lubrifiant, Mobilith SHC 007, aux engrenages et aux paliers.

FONCTIONNEMENT

Pour vous familiariser avec votre treuil, il est vivement conseillé de l'essayer avant de vraiment l'utiliser. Préparez l'essai. N'oubliez pas que vous entendez votre treuil autant que vous le voyez fonctionner. Apprenez à reconnaître le son d'une traction légère et régulière, celui d'une lourde charge ou encore celui provoqué par des à-coups ou une déviation de la charge. Évitez tous risques de déplacement de la charge ou d'à-coups à son niveau, car ils pourraient représenter des conditions dangereuses.

L'enroulement irrégulier du câble lors de la traction d'une charge ne présente pas de problème, sauf en cas d'accumulation du câble sur un côté du tambour. Dans ce cas, inversez le fonctionnement du treuil afin de soulager la charge et déplacez votre point d'attache vers le centre du véhicule. Une fois le travail terminé, vous pouvez dérouler le câble et l'enrouler à nouveau d'une manière régulière.

Lorsque la charge tirée est lourde, placer une couverture, un manteau ou une bâche sur le câble, à environ deux mètres du crochet. Ceci devrait ralentir le retour du câble en cas de rupture et réduire les risques de blessures graves.

L'embrayage du treuil permet un déroulement rapide du câble, à partir du tambour, afin de le fixer à une charge. L'embrayage est actionné au moyen de sa manette ou de l'embrayeur pneumatique.

AVERTISSEMENT : NE RELÂCHEZ JAMAIS L'EMBRAYAGE EN PRÉSENCE D'UNE CHARGE.

EMBRAYEUR MANUEL (voir schéma coté à la page 31) :

POUR DÉSENCLANCHER L'EMBRAYAGE - Faites fonctionner le treuil dans le sens de déroulement jusqu'à ce que le câble ne tracte plus la charge. Tirez sur la poignée et tournez-la de 90°. Avec la poignée en position « DÉSENCLANCHÉE », le tambour peut désormais tourner librement.

POUR ENCLANCHER L'EMBRAYAGE - Tirez sur la poignée, faites-la tourner de 90°, puis relâchez-la. Faites fonctionner le treuil dans le sens inverse jusqu'à ce que la poignée s'engage complètement en position « ENCLANCHÉE ». N'essayez **PAS** de treuiller une charge si la poignée n'est pas complètement « ENCLANCHÉE ». S'il y a un témoin lumineux d'embrayage manuel, la lumière verte s'allume lorsque l'embrayage est « ENCLANCHÉ ». N'essayez **PAS** de treuiller une charge si le témoin vert n'est pas allumé. Pour brancher ce voyant sur le système électrique du véhicule, reportez-vous au schéma de câblage de la page 32.

EMBRAYEUR À VÉRIN PNEUMATIQUE (voir schéma coté à la page 32) :

POUR DÉSENCLANCHER L'EMBRAYAGE - Faites fonctionner le treuil dans le sens de déroulement jusqu'à ce que le câble ne tracte plus la charge. Appliquez une pression pneumatique à l'orifice de 0,125-27 NPT de 5,5 bars (80 PSI) (mini.) - 10,3 bars (150 PSI) (maxi.).

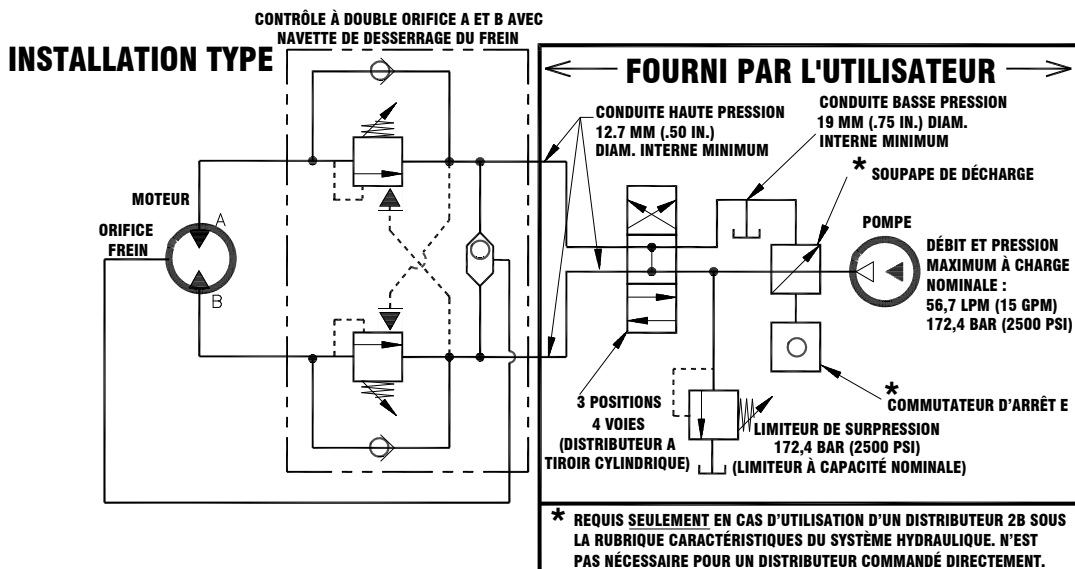
MISE EN GARDE : LA PRESSION NE DOIT PAS DÉPASSER 10,3 bars (150 PSI).

POUR ENCLANCHER L'EMBRAYAGE - Retirez la pression pneumatique du vérin (un ressort de rappel enclenche le piston plongeur). Faites fonctionner le treuil dans le sens inverse jusqu'à ce que le témoin lumineux d'enclenchement de l'embrayage (voyant vert) s'allume. Pour brancher ce voyant sur le système électrique du véhicule, reportez-vous au schéma de câblage de la page 32.

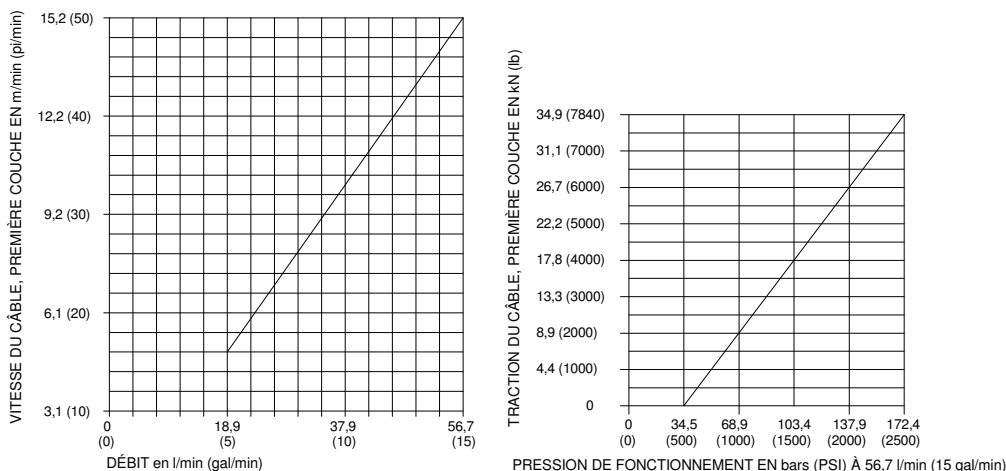
Reportez-vous aux diagrammes de performances ci-dessous pour établir une correspondance entre votre système hydraulique et le fonctionnement de votre treuil. Ces diagrammes sont constitués des éléments suivants : (1) Traction du câble, première couche kN (lb) vs. Pression de service, bars (PSI). (2) Vitesse du câble, première couche M/MIN (PI/MIN) vs. débit L/MIN (G/MIN).

CARACTÉRISTIQUES DU SYSTÈME HYDRAULIQUE

1. Distributeur à tiroir cylindrique de moteur (centre ouvert)
2. Arrêt d'urgence :
 - A. Si un treuil est commandé par un distributeur à commande directe, ce distributeur sert de dispositif d'arrêt d'urgence.
 - B. En cas d'utilisation d'un distributeur commandé à distance, une soupape de décharge hydraulique commandée par solénoïde, normalement ouvrant sur le réservoir, et un interrupteur d'arrêt d'urgence (pour l'ouverture de la soupape de décharge) sont requis. L'interrupteur d'arrêt d'urgence doit être normalement fermé et doit être doté d'un bouton-poussoir d'activation rouge, avec réinitialisation, sur fond jaune. L'interrupteur d'arrêt d'urgence doit être facilement accessible à l'opérateur.
3. La soupape de décharge doit être réglée pour 172,4 bar qui est la limite de capacité nominale.
4. Débit maximal de 56,7 l/min. Ne dépassez pas 75,7 l/min sous peine d'endommagement du moteur ou du treuil.
5. Fluide hydraulique ayant une viscosité comprise entre 20 et 43 cSt (100 à 200 SUS). Température de service maximale de 85 °C. Propreté de niveau ISO 17-14 ou meilleur.



DIAGRAMMES DE PERFORMANCES



GUIDE DE RÉOLUTION DES PROBLÈMES

PROBLÈME	CAUSE PROBABLE	MESURE CORRECTIVE
LE TAMBOUR NE TOURNE PAS EN L'ABSENCE DE CHARGE.	Treuil mal monté, ce qui entraîne un grippage du tambour par le palier d'extrémité. Pignons endommagés.	Vérifiez le montage. Reportez-vous à la rubrique Fixation du treuil en page 24. Examinez les pignons endommagés et remplacez-les.
LE TAMBOUR NE TOURNE PAS EN PRÉSENCE D'UNE CHARGE.	Treuil mal monté, ce qui entraîne un grippage du tambour par le palier d'extrémité. Charge dont le poids dépasse la capacité nominale du treuil. Pression du système hydraulique faible.	Vérifiez le montage. Reportez-vous à la rubrique Fixation du treuil en page 24. Reportez-vous aux caractéristiques techniques de la page 23 pour la traction nominale. Reportez-vous aux diagrammes des performances des systèmes hydrauliques de la page 26.
LE TREUIL FONCTIONNE TROP LENTEMENT.	Faible débit du système hydraulique. Moteur usé.	Vérifiez le débit. Reportez-vous aux caractéristiques du système et à la disposition type en page 26. Remplacez le moteur.
LE TAMBOUR NE TOURNE PAS EN ROUE LIBRE.	Embrayage non désenclenché. Vérifiez le réglage de l'embrayeur manuel en page 29. Treuil mal monté, ce qui entraîne un grippage du tambour par le palier d'extrémité. Boulons de fixation latérale (pièce n° 15, page 34) trop longs qui provoquent un grippage de la couronne.	Vérifiez le fonctionnement conformément aux indications en page 25. Vérifiez le montage. Reportez-vous à la rubrique Fixation du treuil en page 24. Vérifiez la longueur des boulons. Le filet de boulon DOIT s'engager dans les trous filetés sur les côtés du palier d'extrémité sur une longueur comprise entre 12,7 mm (0,50 po) et 17,5 mm (0,68 po).
LE FREIN NE TIENT PAS.	Distributeur inadapté (distributeur à tiroir cylindrique, centre fermé).	Utilisez uniquement un distributeur à tiroir cylindrique de moteur (centre ouvert).
LA CHARGE GLISSE.	Contre-pression trop importante 6,9 bars (100 PSI) maxi.	Assurez-vous de l'absence de restrictions au niveau du système hydraulique. Reportez-vous aux caractéristiques du système et à la Installation type en page 26.
LE CÂBLE SE DÉTEND ET FORME DE LARGES BOUCLES LORSQUE L'EMBRAYAGE EST DÉSENCLENCHÉ.	Vis de rappel mal réglée.	Réglez la vis de rappel en Nylon. Reportez-vous à la rubrique Installation du câble en page 24.
BRUIT EXCESSIF	Débit du système hydraulique trop élevé. Grippage du tambour, treuil mal monté.	Vérifiez le débit. Reportez-vous à la rubrique Installation type en page 26. Vérifiez le montage. Reportez-vous à la rubrique Fixation du treuil en page 24.
LE TAMBOUR BROUTE DANS LE SENS DE L'ENROULEMENT.	Faible débit du système hydraulique Réglage de pression d'échappement du système hydraulique faible.	Vérifiez le débit. Reportez-vous à la rubrique Installation type en page 26. Vérifiez le réglage de la soupape de surpression.
DE L'HUILE FUT AU NIVEAU DU RENIFLARD SOUS LE PALIER D'EXTRÉMITÉ DU MOTEUR.	Joints toriques de frein, bagues d'appui ou surfaces d'étanchéité endommagés.	Démontez le frein et vérifiez. Reportez-vous aux instructions de révision, page 28.

FIN DE LA PROCÉDURE D'ENTRETIEN

Quand le treuil arrive à la fin de sa durée de vie, débarrassez-vous en respectant les règlements locaux de protection de l'environnement.

INSTRUCTIONS DE RÉVISION DES TREUILS DE LA GAMME HD-P8000

Prenez note des configurations de montage pour l'assemblage correct des pièces lors du remontage. Remplacez tous les joints statiques, les joints toriques et les joints d'étanchéité lors du remontage.

Débranchez le tube (pièce n° 41) des raccords coudés (pièce n° 24) au bas du palier d'extrémité et de la valve de contre-pression (pièce n° 42). Retirez le moteur (pièce n° 27) du palier d'extrémité en dévissant lentement les vis d'assemblage (pièce n° 18). **MISE EN GARDE : LE MOTEUR EST SOUS LA PRESSION DES RESSORTS.**

Vérifiez le reniflard (pièce n° 45). Assurez-vous qu'il n'est pas bouché. Si de l'huile fuit à ce niveau, vérifiez les joints toriques des freins, les bagues d'appui et les surfaces d'étanchéité (cf. page 30).

Retirez les ressorts (pièce n° 40) de leurs logements et vérifiez leur état. Remplacez le joint statique (pièce n° 25).

Retirez le raccordement (pièce n° 23) du palier d'extrémité. Examinez-le afin de déceler toute trace d'usure et remplacez-le si nécessaire. Le cas échéant, retirez la valve de contre-pression du moteur en retirant les vis d'assemblage (pièce n° 14).

Retirez les bagues de retenue (pièce n° 39 et 48) avec un tournevis.

Retirez les pièces du frein du palier d'extrémité. NOTEZ LA POSITION DES JOINTS TORIQUES ET DES BAGUES D'APPUI AVANT LA DÉPOSE. Vérifiez l'état des disques de frein (pièce n° 4) et des stators (pièce n° 3), et procédez aux remplacements éventuels.

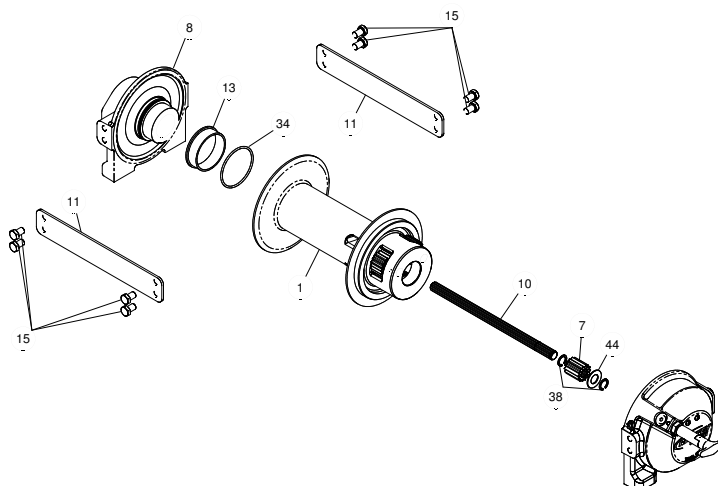
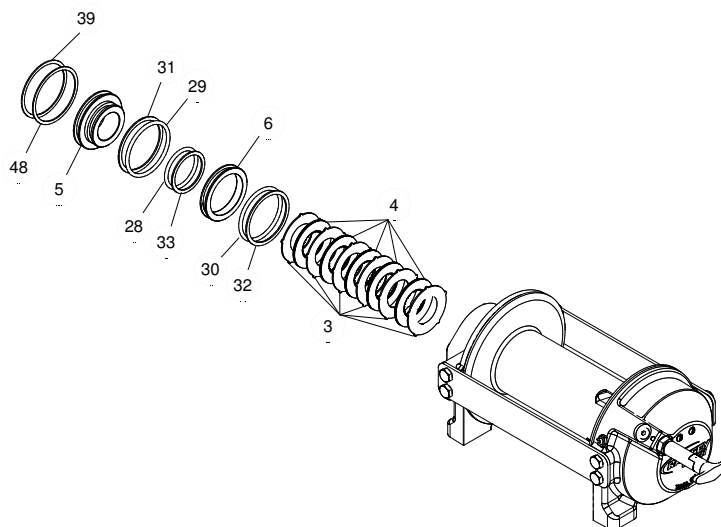
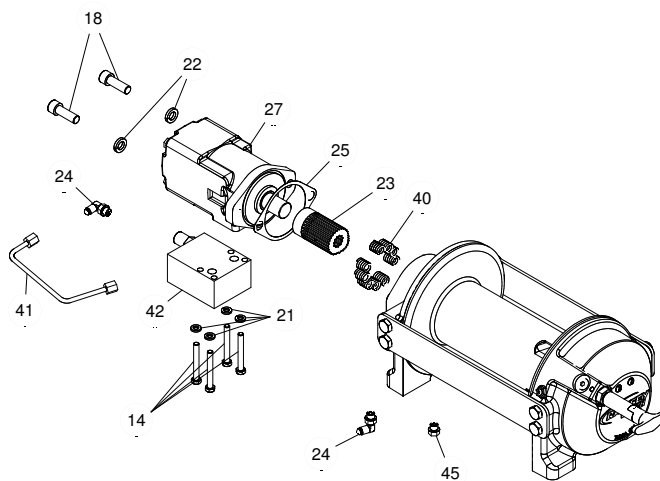
Examinez les joints toriques (pièces n° 28 et 29) et les bagues d'appui (pièces n° 31 et 33) du piston de frein (pièce n° 5), ainsi que le joint torique (pièce n° 30) et la bague d'appui (pièce n° 32) du piston auxiliaire de frein (pièce n° 6) afin de déceler tout signe d'usure. Retirez les joints toriques et les bagues d'appui des rainures du piston de frein ou du piston de frein auxiliaire, et remplacez-les si nécessaire.

Retirez les plaques de serrage (pièce n° 11) des paliers d'extrémité en dévissant les vis d'assemblage (pièce n° 15).

Faites glisser le palier d'extrémité du moteur (pièce n° 8) et le tambour (pièce n° 1) du palier d'extrémité de la boîte d'engrenages.

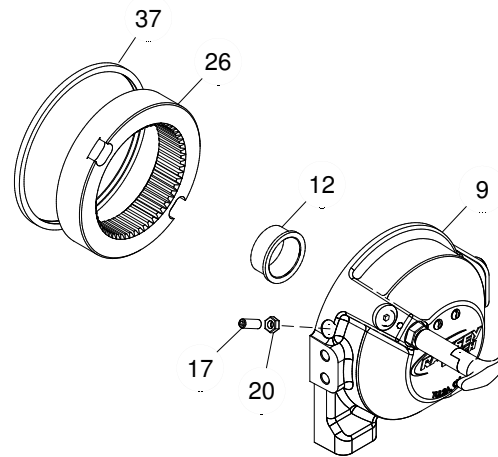
Retirez l'arbre d'entrée (pièce n° 10) du palier d'extrémité. Inspectez l'état de l'arbre et du planétaire de sortie (pièce n° 7), et remplacez-les si nécessaire. Pour retirer le planétaire de sortie, enlevez les circlips (pièce n° 38) et la rondelle de butée (pièce n° 44), et tirez le bout de l'arbre.

Retirez la bague (pièce n° 13) et le joint statique (pièce n° 34) du palier d'extrémité. Placez le joint torique neuf et bien huilé dans la rainure, à l'intérieur du palier d'extrémité et pressez la bague neuve sur le palier.



Retirez le joint d'étanchéité (pièce n° 37) du palier d'extrémité de la boîte d'engrenages (pièce n° 9). Desserrez l'écrou (pièce n° 20) et retirez la vis de pression en Nylon (pièce n° 17). Si nécessaire, retirez la couronne du palier d'extrémité de la boîte d'engrenages. Retirez la bague (pièce n° 12) du palier d'extrémité.

Placez une bague neuve sur le palier. Remettez en place la couronne, puis la vis de pression en Nylon et l'écrou. La couronne doit être bien en place sur le palier d'extrémité, et sa fente NE DOIT PAS être alignée sur le trou de l'embrayeur. Placez un joint d'étanchéité neuf sur le palier d'extrémité, avec le bord effilé tourné vers l'extérieur.



Appliquez une quantité généreuse de graisse (MOBILITH SHC 007) sur les dents de la couronne (pièce n° 26) et des roues planétaires du tambour (pièce n° 1), ainsi que sur la bague (pièce n° 12) du palier d'extrémité de la boîte d'engrenages. Appliquez une petite quantité de graisse à la base de la bague (pièce n° 13) du palier d'extrémité du moteur. Graissez les dents de l'engrenage du planétaire de sortie (pièce n° 7) et l'arbre d'entrée (pièce n° 10).

Placez l'extrémité de l'arbre avec le planétaire de sortie dans le tambour (pièce n° 2). Faites pivoter l'arbre pour enclencher les roues planétaires sur le planétaire de sortie. Placez le palier d'extrémité d'engrenage sur le tambour et enclenchez les roues planétaires sur la couronne.

Assemblez le palier d'extrémité (pièce n° 8) du moteur sur le tambour et utilisez les plaques de serrage (pièce n° 11) et les vis d'assemblage (pièce n° 15) pour maintenir les deux paliers d'extrémité ensemble. Serrez les vis à un couple de 75 Nm (55 pi-lb).

Le cas échéant, retirez et remplacez l'embrayeur approprié (pièce n° 2 pour l'embrayeur manuel ou pièce n° 3 pour l'embrayeur pneumatique), comme indiqué ci-dessous:

EMBRAYEUR MANUEL

Desserrez la vis de pression (pièce n° 19) et le contre-écrou, puis dévissez l'embrayeur (pièce n° 2). Assurez-vous que la rainure de la couronne n'est pas alignée sur le trou de l'embrayeur. Faites tourner le tambour, si nécessaire, pour vous assurer que le trou et la fente ne sont pas alignés.

Reposez l'embrayeur avec le piston plongeur, le contre-écrou et la poignée dans la boîte d'engrenages, comme indiqué ci-dessous. Enfilez l'ensemble (avec la poignée insérée dans la fente du vérin) dans la boîte d'engrenages. Tirez le tambour vers le palier d'extrémité du carter d'embrayage afin d'éliminer le jeu. Maintenez le tambour en place et continuez d'enfiler l'ensemble de l'embrayeur jusqu'à ce que l'espace entre le bout de la poignée et le vérin soit de 11,1 mm \pm 1,6 mm (7/16 po \pm 1/16 po) et que la poignée soit en position horizontale (cf. ci-dessous).

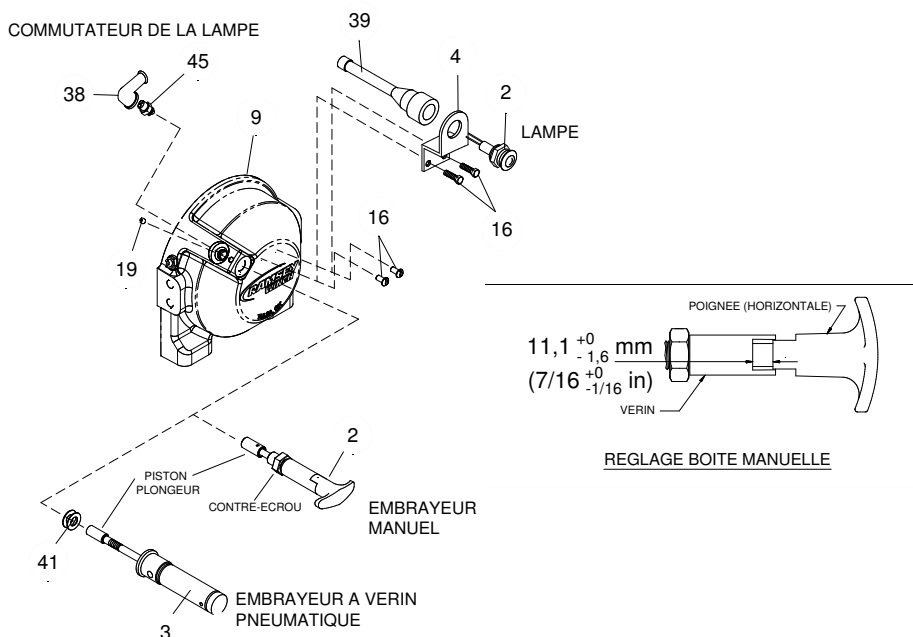
Remarque : Cet espace varie en fonction du jeu axial du tambour. Lorsque le tambour est tiré contre le carter côté moteur, l'espace doit être de 9,5 mm (3/8 po).

Serrez légèrement le contre-écrou. Faites tourner le tambour jusqu'à ce que la poignée s'enclenche complètement. Tirez sur la poignée et tournez-la de 90°. Assurez-vous que le tambour peut tourner librement (au moins un tour complet) avec l'embrayeur en position DÉSENCLANCHÉE. Serrez à bloc le contre-écrou tout en maintenant la poignée. Serrez à bloc la vis de pression (pièce n° 19). Revérifiez le fonctionnement de l'embrayage comme indiqué en page 25.

EMBRAYEUR À VÉRIN PNEUMATIQUE

Desserrez la vis de pression (pièce n° 19) pour retirer l'embrayeur (pièce n° 3). Pour la remise en place, placez une ou deux cales (pièce n° 41) sur le piston plongeur et enfiler l'ensemble de l'embrayeur dans la boîte côté engrenages. Ajoutez ou retirez des cales afin d'orienter les ouvertures pour les connexions pneumatiques. Ces ouvertures doivent être dirigées vers le bas (sous l'horizontale). Serrez la vis de pression. Revérifiez le fonctionnement de l'embrayage comme indiqué en page 25.

Si la lampe (pièce n° 2) ou son commutateur (pièce n° 45) doit être remplacé(e), reportez-vous au schéma de la page 32 pour les branchements électriques, et déposez puis remontez comme indiqué ci-dessous.



Placez le treuil sur l'établi avec l'extrémité de la boîte d'engrenages tournée vers le bas.

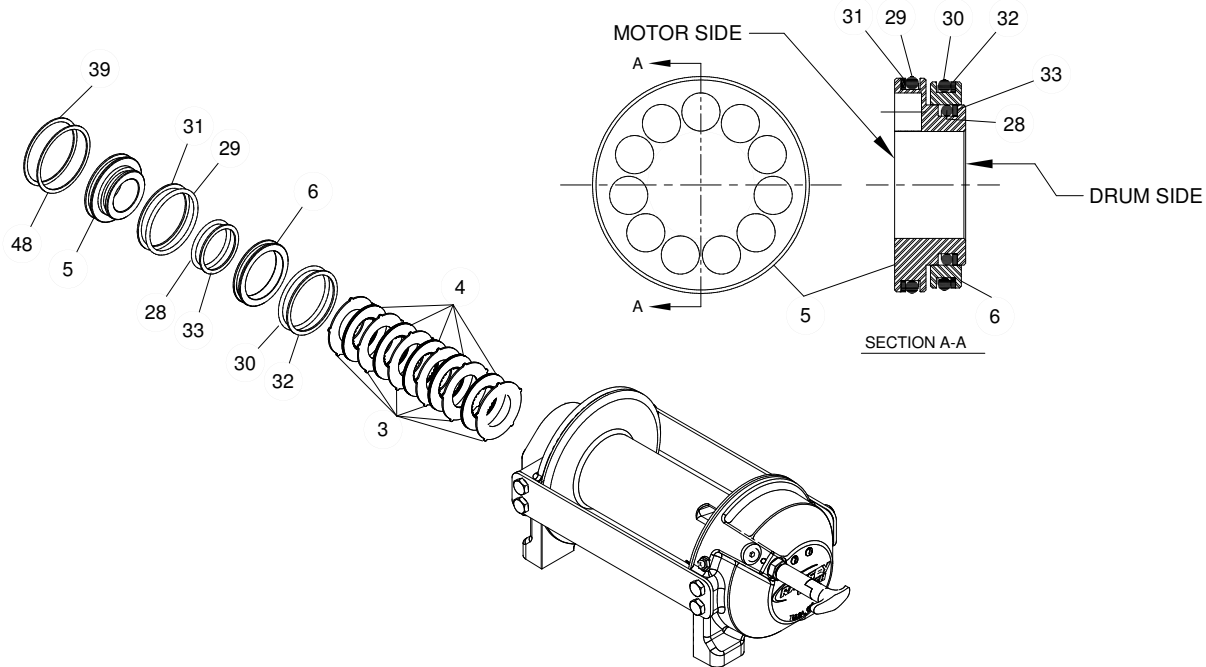
Placez des joints toriques et des bagues d'appui bien huilés dans les rainures, sur l'extérieur du piston de frein et du piston de frein auxiliaire, comme indiqué sur la coupe A-A ci-dessous.

Le piston, le piston auxiliaire, les disques de frein et les stators doivent être propres et exempts de graisse et d'huile.

Insérez les disques de frein (pièce n° 4) et les stators (pièce n° 3) en les alternant, avec les stators en premier et en dernier.

Insérez le piston de frein auxiliaire (pièce n° 6) dans l'extrémité moteur et placez le piston de frein (pièce n° 5) dedans. **Appliquez une pression uniforme sur le piston lors du montage.**

Posez les bagues de retenue (pièce n° 39 et 48) dans les rainures du carter côté moteur.



Insérez les ressorts (pièce n° 40) dans les logements à l'arrière du piston de frein. Les deux logements vides doivent se trouver sur les côtés opposés.

Posez une goupille cylindrique (pièce n° 35) dans le raccordement neuf du moteur, sous le bas des dentelures.

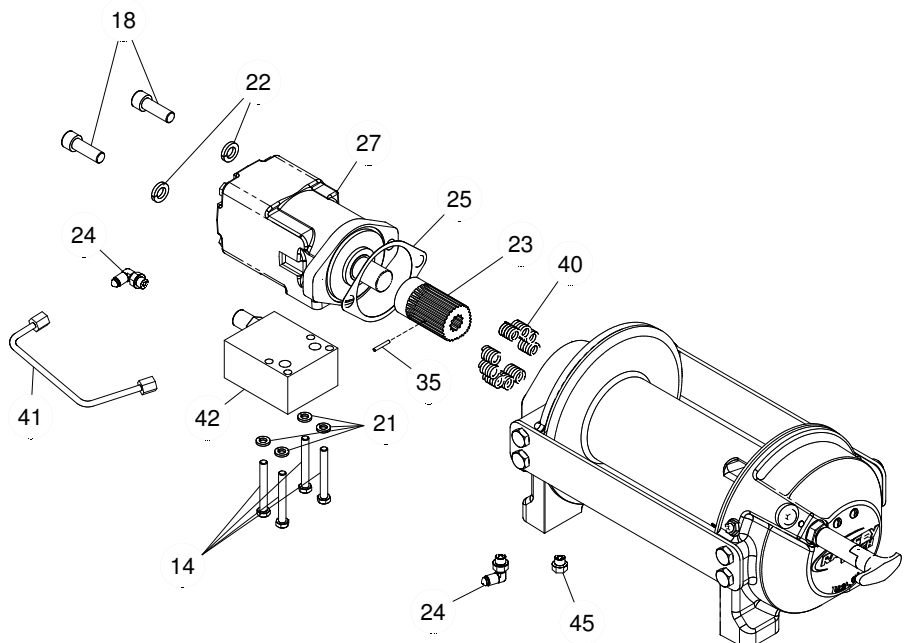
Insérez le raccordement du moteur (pièce n° 23) en l'enclenchant sur les disques et l'arbre d'entrée.

Placez le joint statique (pièce n° 25) sur la surface de montage du moteur (pièce n° 27). Faites glisser l'arbre du moteur dans le raccordement. Fixez le moteur au carter du palier d'extrémité moteur au moyen de deux vis d'assemblage (pièce n° 18) et de deux rondelles de sécurité (pièce n° 22). Serrez les vis à un couple de 66 Nm (49 pi-lb).

Posez la valve de contre-pression (pièce n° 42) sur le moteur au moyen de quatre vis d'assemblage (pièce n° 14) et de quatre rondelles de sécurité (pièce n° 21). Serrez à un couple de 23 Nm (17 pi-lb).

Connectez bien les raccords (pièce n° 24) à la boîte côté moteur et à la valve de contre-pression, et connectez le tube (pièce n° 41) aux raccords.

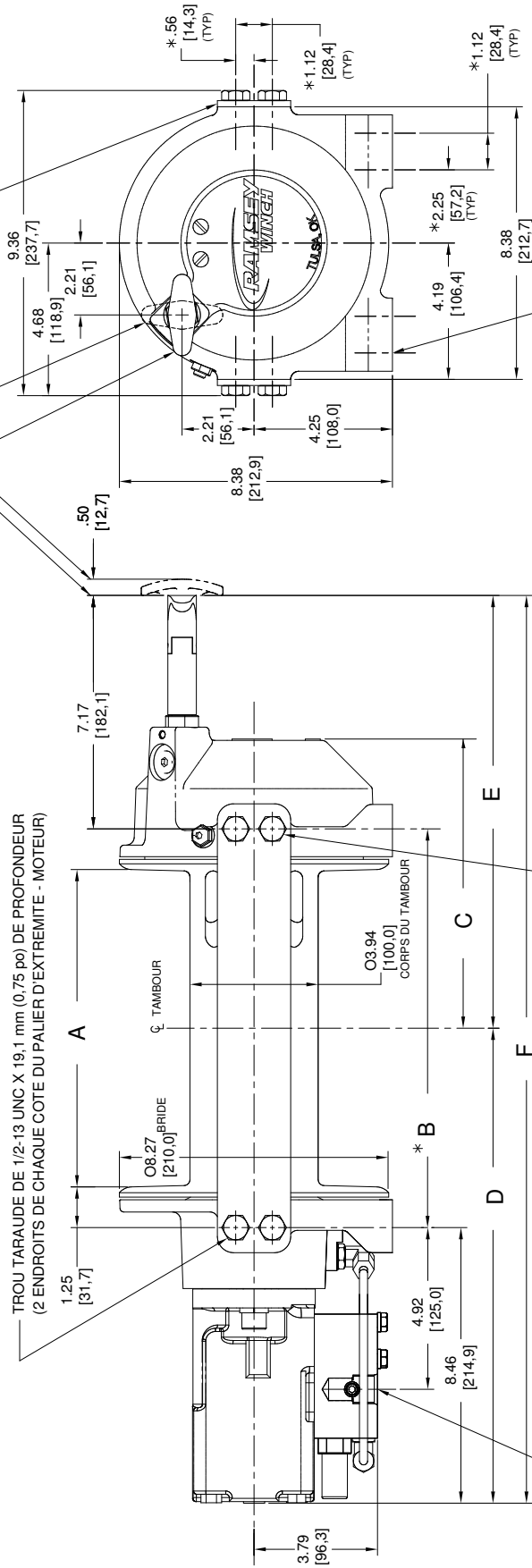
Exercez sur le frein une pression d'au moins 37,9 bars (550 PSI) du système hydraulique et assurez-vous que le frein se relâche (que le tambour du treuil tourne).



EMBRAYAGE EN POSITION DESENCLENCHEE

EMBRAYAGE EN POSITION ENCLENCHEE

TROU TARAUDE DE 1/2-13 UNC X 19,1 mm (0,75 po) DE PROFONDEUR DE 2 ENDROITS DE CHAQUE COTE DU PALIER D'EXTREMITE - (MOTEUR)



OUVRETTURE 7/8-14 SAE (2 ENDROITS)

TROU TARAUDE DE 1/2-13 UNC X 12,7 mm (0,50 po) DE PROFONDEUR (2 ENDROITS DE CHAQUE COTE DU PALIER D'EXTREMITE - BOITE D'ENGRENAGE)

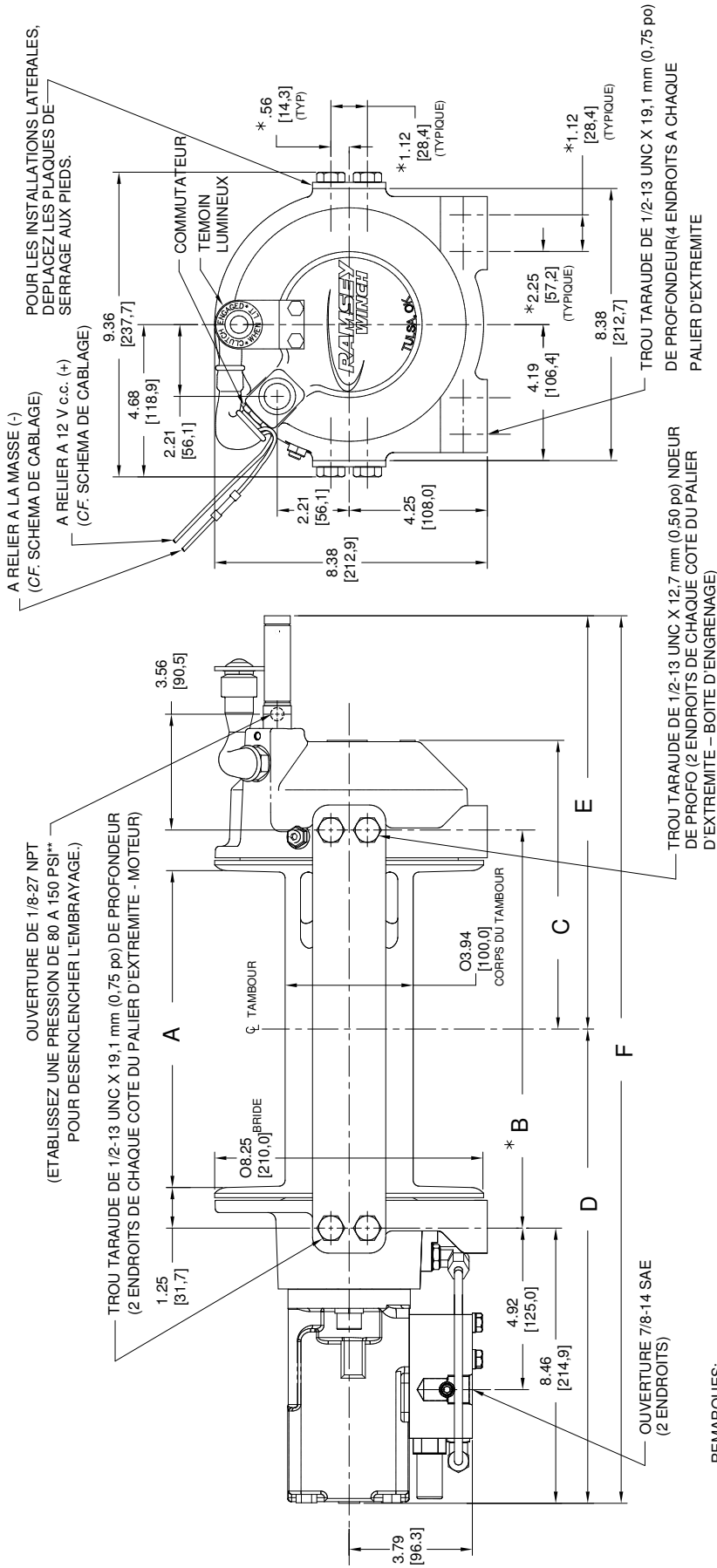
TROU TARAUDE DE 1/2-13 UNC X 19,1 mm (0,75 po) DE PROFONDEUR (4 ENDROITS DE CHAQUE COTE DU PALIER D'EXTREMITE)

REMARQUES:

1. LES DIMENSIONS SONT INDIQUEES EN POUCHES PUIS EN MILLIMETRES.
2. LES VIS D'ASSEMBLAGE DU TREUIL DOIVENT AU MOINS REpondRE AUX NORMES SAE, GRADE 5.
- * 3. L'EMPLACEMENT DE CES TROUS DOIT SE TROUVER A ± 0.8 mm (0.03 po) DE LA POSITION EXACTE.
- LE DIAMETRE RECOMMANDE POUR LES TROUS DE FIXATION EST DE 13,5 mm (0,53 po).
4. ROTATION « A » ILLUSTRÉE.

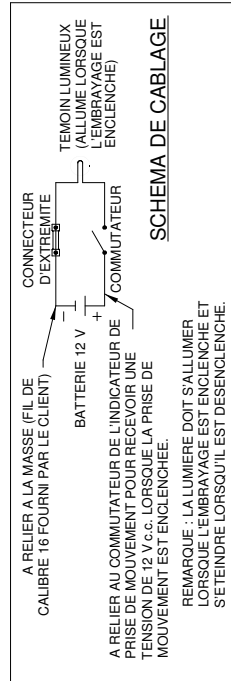
MODELE DE TREUIL	A	B	C	D	E	F
	in	in	in	in	in	in
	mm	mm	mm	mm	mm	mm
HD-P 34.9	9.75	12.25	8.87	14.60	13.28	27.89
TAMBOUR « STD »	247,7	311,2	225,3	370,9	337,4	709,3
HD-P 34.9	6.50	9.00	7.24	12.98	11.66	24.64
TAMBOUR « Y »	165,1	228,6	184,0	329,6	296,2	625,8

HD-P 34,9 EMBRAYAGE MANUEL



REMARQUES:

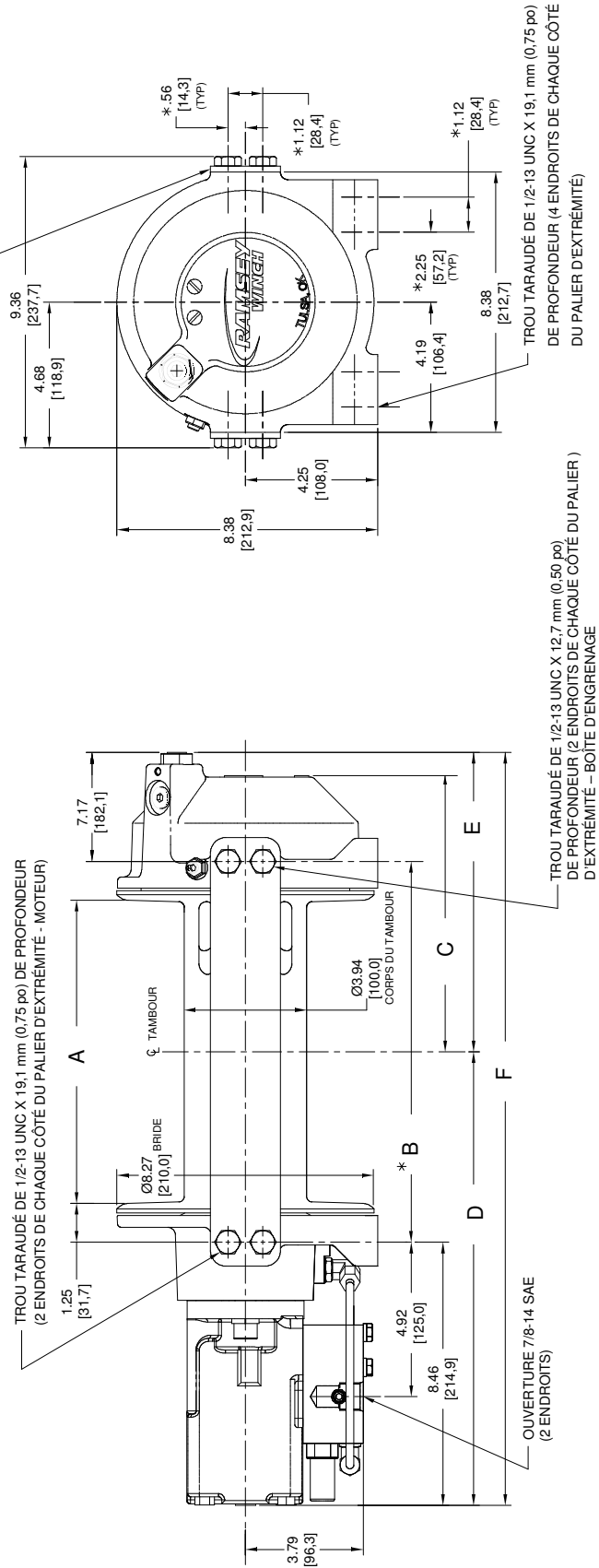
1. LES DIMENSIONS SONT INDIQUEES EN POUCES PUIS EN MILLIMETRES.
2. LES VIS D'ASSEMBLAGE DU TREUIL DOIVENT AU MOINS REpondRE AUX NORMES SAE, GRADE 5.
- * 3. L'EMPLACEMENT DE CES TROUS DOIT SE TROUVER A ± 0,8 mm (0,03 po) DE LA POSITION EXACTE.
LE DIAMETRE RECOMMANDE POUR LES TROUS DE FIXATION EST DE 13,5 mm (0,53 po).
- ** 4. MISE EN GARDE : LA PRESSION NE DOIT PAS DEPASSER 150 PSI.
5. ROTATION « A » ILLUSTRÉE.



MODELE DE TREUIL	A in mm	B in mm	C in mm	D in mm	E in mm	F in mm
HD-P 34,9 TAMBOUR « STD »	9.75 247,7	12.25 311,2	8.87 225,3	14.60 370,9	12.72 323,1	27.31 693,7
HD-P 34,9 TAMBOUR « Y »	6.50 165,1	9.00 228,6	7.24 184,0	12.98 329,6	9.47 240,6	24.06 611,1

HD-P 34,9 EMBRAYAGE PNEUMATIQUE

POUR LES INSTALLATIONS LATÉRALES, DÉPLACEZ
LES PLAQUES DE SERRAGE AUX PIEDS.

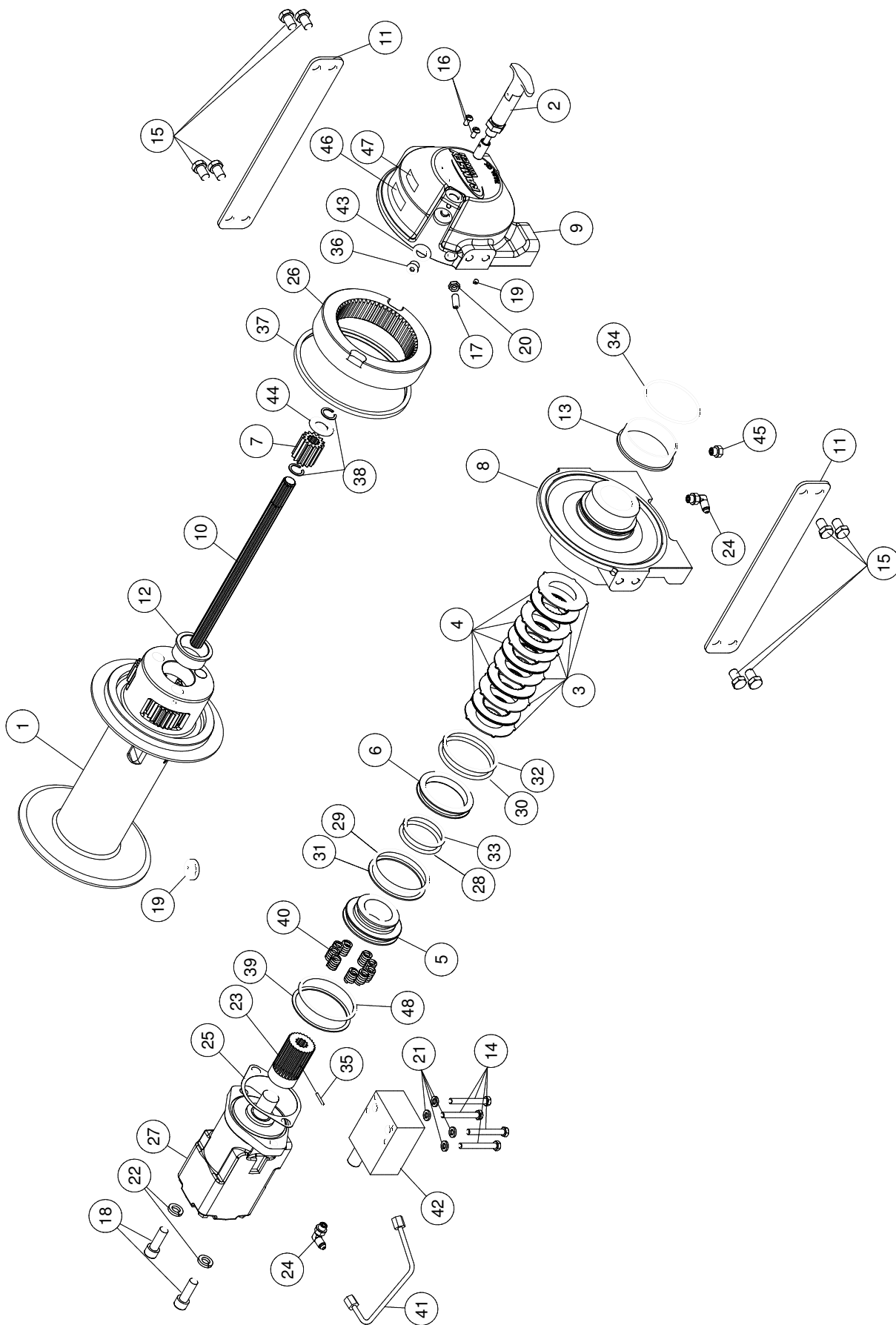


REMARQUES:

1. LES DIMENSIONS SONT INDIQUÉES EN POUCES PUIS EN MILLIMÈTRES.
2. LES VIS D'ASSEMBLAGE DU TREUIL DOIVENT AU MOINS RÉPONDRE AUX NORMES SAE, GRADE 5.
* 3. L'EMPLACEMENT DE CES TROUS DOIT SE TROUVER $\pm 0,8$ mm (0,03 po) DE LA POSITION EXACTE.
LE DIAMÈTRE RECOMMANDÉ POUR LES TROUS DE FIXATION EST DE 13,5 mm (0,53 po).
4. ROTATION « A » ILLUSTRÉE.

MODÈLE DE TREUIL	A	B	C	D	E	F
	in	in	in	in	in	in
HD-P 34,9	9,75	12,25	8,87	14,60	9,62	24,22
TAMBOUR - STD *	247,7	311,2	225,3	370,9	244,3	615,2
HD-P 34,9	6,50	9,00	7,24	12,98	8,00	20,97
TAMBOUR - Y *	165,1	228,6	184,0	329,6	203,2	532,6

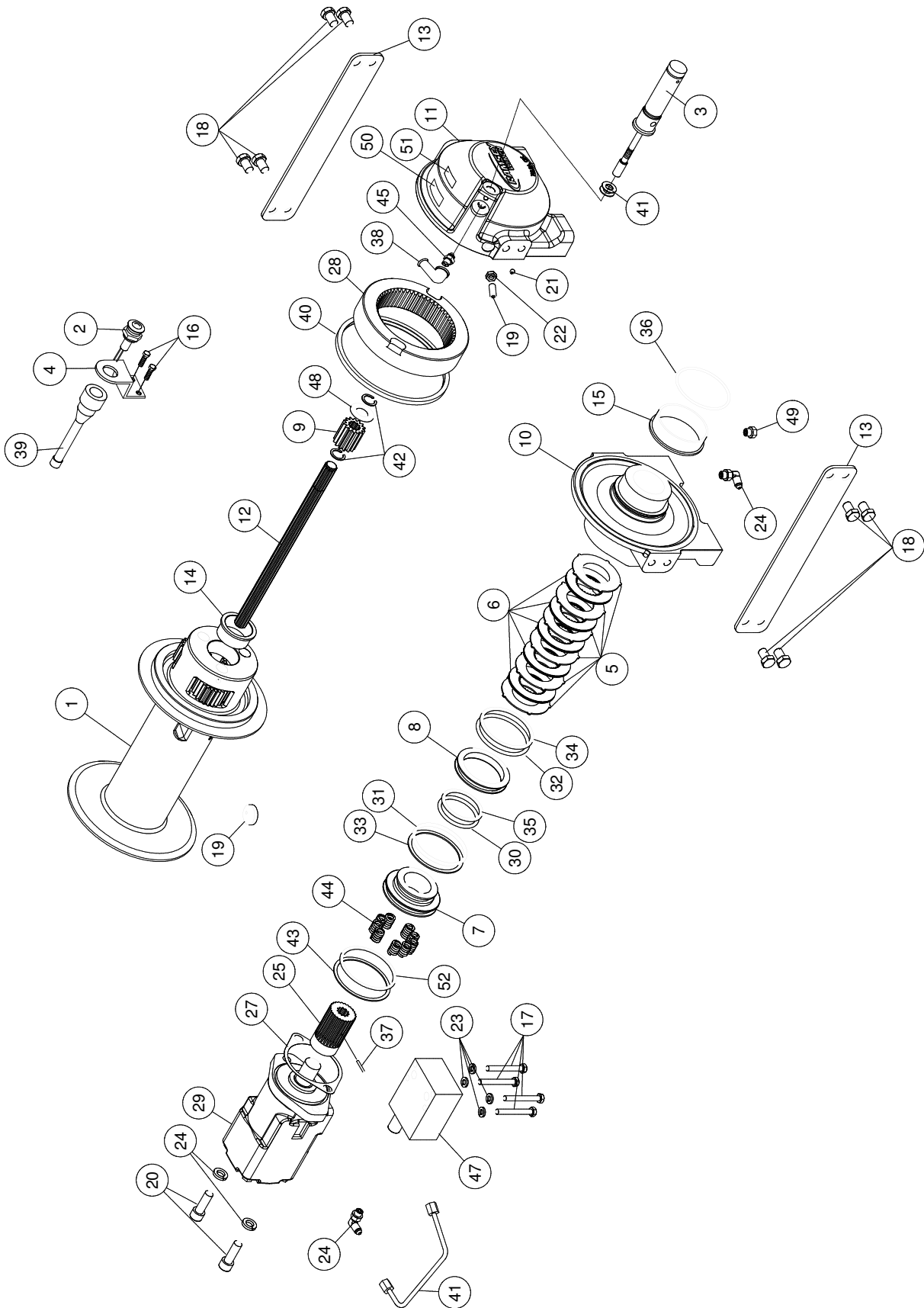
HD-P 34,9 EMBRAYAGE VERROUILLÉ



HD-P 34,9 EMBRAYAGE PNEUMATIQUE

HD-P 34,9 EMBRAYAGE MANUEL - LISTE DES PIÈCES

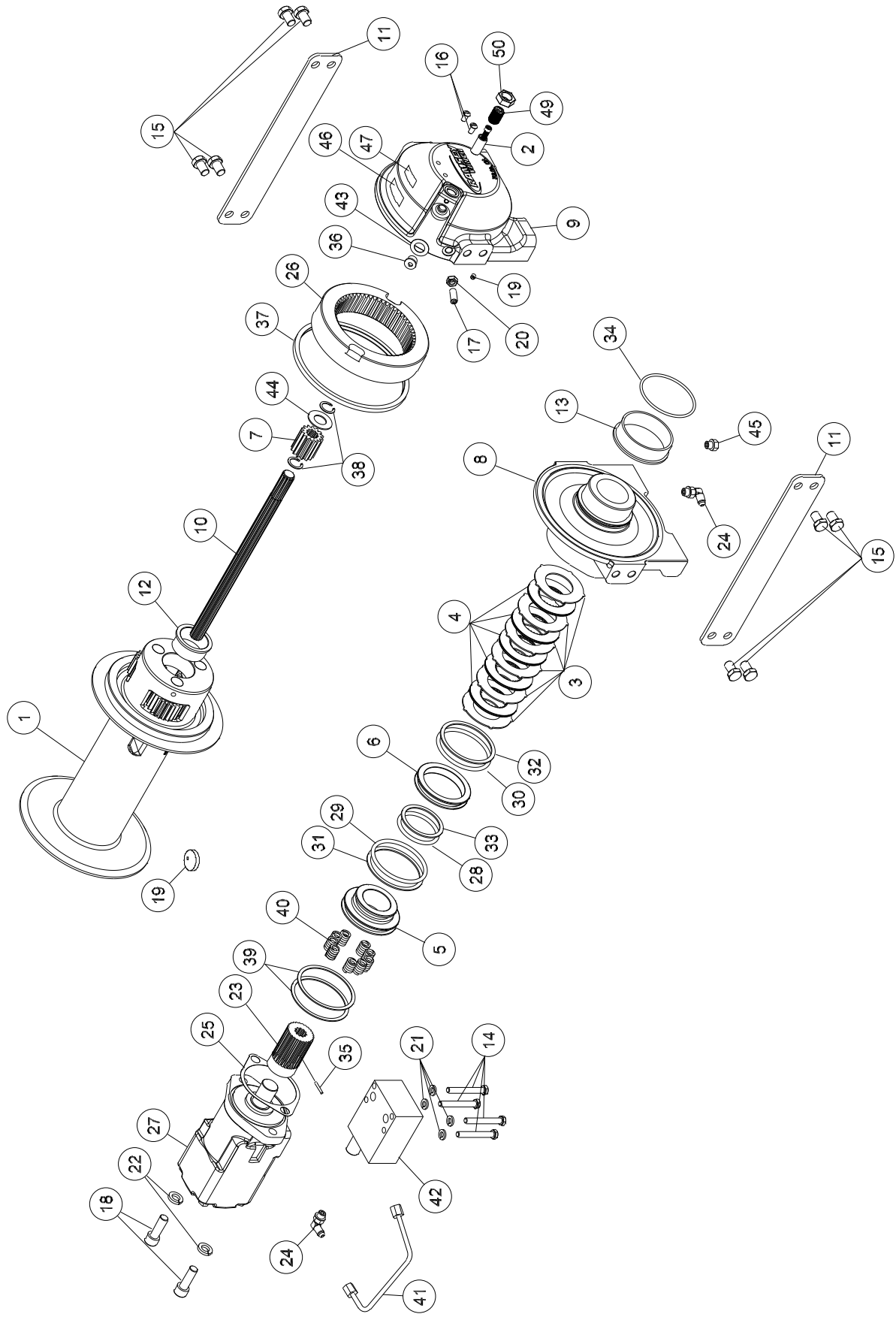
N°	Quantité	N° réf.	Description
1	1	234224	TAMBOUR « STD » COMPLET
	1	234234	TAMBOUR « Y » COMPLET
2	1	276048	EMBRAYEUR COMPLET
3	6	330011	STATOR - FREIN
4	5	330012	DISQUE - FREIN
5	1	330013	PISTON - FREIN
6	1	330014	PISTON - FREIN AUX.
7	1	334174	PLANÉTAIRE - SORTIE
8	1	338358	PALIER D'EXTRÉMITÉ - MOTEUR
9	1	338359	PALIER D'EXTRÉMITÉ - BOÎTE D'ENGRENAGES
10	1	357177	ARBRE - ENTRÉE, TAMBOUR « STD »
	1	357176	ARBRE - ENTRÉE, TAMBOUR « Y »
11	2	395427	PLAQUE DE SERRAGE, TAMBOUR « STD »
	2	395426	PLAQUE DE SERRAGE, TAMBOUR « Y »
12	1	412085	BAGUE - TAMBOUR
13	1	412109	BAGUE - TAMBOUR, EXTRÉMITÉ MOTEUR
14	4	414159	VIS D'ASSEMBLAGE - 5/16-18 UNC x 2,5 po, TÊTE HEX., ZINC, GR. 5
	4	414147	VIS D'ASSEMBLAGE - 5/16-18 UNC x 2,5 po, TÊTE HEX., ZINC, GR. 5 (OUVERTURES LATÉRALES)
15	8	414581	VIS D'ASSEMBLAGE - 1/2-13 NC x 3/4 po, TÊTE HEX., ZINC, GR. 5
16	2	414854	VIS - 1/4-20 NC x 1/2 po, TÊTE RONDE, FENDUE, ZINC
17	1	414926	VIS DE PRESSION - 3/8-16 NC x 1 po, TÊTE CREUSE, NYLON
18	2	414952	VIS D'ASSEMBLAGE 1/2 - 13 NC X 1,5 PO, TÊTE CREUSE, ZINC
19	1	315008	GALET D'ANCRAGE DU CÂBLE
20	1	418036	NUT-3/8-16 NC, HEX JAM, ZINC
21	4	418163	CONTRE-ÉCROU - 3/8-16 NC, HEX., ZINC
22	2	418218	RONDELLE DE SÉCURITÉ - 5/16 PO, SECT. MOY., ZINC
23	1	431019	RONDELLE DE SÉCURITÉ - 1/2 PO D.I. SECT. MOY. ZINC
24	2	432018	RACCORD
25	1	442223	JOINT STATIQUE - BRIDE MOTEUR
26	1	444084	COURONNE
27	1	458074	MOTEUR HYD.
28	1	462067	PISTON - JOINT TORIQUE - PETIT
29	1	462068	PISTON - JOINT TORIQUE - GRAND
30	1	462069	JOINT TORIQUE - PISTON
31	1	462070	BAGUE - PISTON AUX. - GRAND
32	1	462071	BAGUE D'APPUI - PISTON AUX.
33	1	462072	BAGUE - PISTON AUX. - PETIT
34	1	462073	JOINT TORIQUE
35	1	470033	GOUPILLE SPIRAL
36	1	472052	BOUCHON
37	1	486080	JOINT D'ÉTANCHÉITÉ
38	2	490003	CIRCLIP
39	1	490049	BAGUE RETENUE - INTERNE
40	9	494124	RESSORT - FREIN
41	1	509132	TUBE - RELÂCHEMENT FREIN (ENTRÉE BAS)
	1	509131	TUBE - RELÂCHEMENT FREIN (ENTRÉE HAUT)
	1	509133	TUBE - RELÂCHEMENT FREIN (OUVERT. LAT.)
42	1	516051	DISTRIBUTEUR - MOTEUR (ROTATION A)
	1	516052	DISTRIBUTEUR - MOTEUR (ROTATION B)
	1	516053	DISTRIBUTEUR - MOTEUR (ROT. A/OUVERT. LAT.)
43	1	518037	RONDELLE DE BUTÉE
44	1	518047	RONDELLE DE BUTÉE
45	1	456038	RENIFLARD
46	1	434569	ÉTIQUETTE SIGNALÉTIQUE
47	1	434235	ÉTIQUETTE - ROTATION A
	1	434236	ÉTIQUETTE - ROTATION B
48	1	490066	BAGUE RETENUE - INTERNE



HD-P 34,9 EMBRAYAGE PNEUMATIQUE

HD-P 34,9 EMBRAYAGE PNEUMATIQUE - LISTE DES PIÈCES

N°	Quantité	N° réf.	Description
1	1	234224	TAMBOUR « STD » COMPLET
	1	234234	TAMBOUR « Y » COMPLET
2	1	236020	TÉMOIN LUMINEUX
3	1	276058	EMBRAYEUR COMPLET
4	1	312529	SUPPORT - TÉMOIN LUMINEUX
5	6	330011	STATOR - FREIN
6	5	330012	DISQUE - FREIN
7	1	330013	PISTON - FREIN
8	1	330014	PISTON - FREIN AUX.
9	1	334174	PLANÉTAIRE - SORTIE
10	1	338358	PALIER D'EXTRÉMITÉ - MOTEUR
11	1	338359	PALIER D'EXTRÉMITÉ - BOÎTE D'ENGRENAGES
12	1	357177	ARBRE - ENTRÉE, TAMBOUR « STD »
	1	357176	ARBRE - ENTRÉE, TAMBOUR « Y »
13	2	395427	PLAQUE DE SERRAGE, TAMBOUR « STD »
	2	395426	PLAQUE DE SERRAGE, TAMBOUR « Y »
14	1	412085	BAGUE - TAMBOUR
15	1	412109	BAGUE - TAMBOUR, EXTRÉMITÉ MOTEUR
16	2	414036	VIS D'ASSEMBLAGE - 1/4-20 NC x 1/2 po, TÊTE HEX., ZINC
17	4	414159	VIS D'ASSEMBLAGE - 5/16-18 UNC x 2,5 po, TÊTE HEX., ZINC, GR. 5
	4	414147	VIS D'ASSEMBLAGE - 5/16-18 UNC x 3,5 po, TÊTE HEX., ZINC, GR. 5 (OUVERTURES LATÉRALES)
18	8	414581	VIS D'ASSEMBLAGE - 1/2-13 NC x 3/4 po, TÊTE HEX., ZINC, GR. 5
19	1	315008	GALET D'ANCRAGE DU CÂBLE
20	2	414952	VIS D'ASSEMBLAGE 1/2-13 NC X 1,5 po, TÊTE CREUSE, ZINC
21	1	416016	VIS DE PRESSION - 1/4-20 NC x 1/4 po, TÊTE CREUSE HEX.
22	1	418036	CONTRE-ÉCROU - 3/8-16 NC, HEX., ZINC
23	4	418163	RONDELLE DE SÉCURITÉ - 5/16 PO, SECT. MOY., ZINC
24	2	418218	RONDELLE DE SÉCURITÉ - 1/2 PO D.I. SECT. MOY. ZINC
25	1	431019	RACCORDEMENT MOTEUR
26	2	432018	RACCORD
27	1	442223	JOINT STATIQUE - BRIDE MOTEUR
28	1	444084	COURONNE
29	1	458074	MOTEUR HYD.
30	1	462067	PISTON - JOINT TORIQUE - PETIT
31	1	462068	PISTON - JOINT TORIQUE - GRAND
32	1	462069	JOINT TORIQUE - PISTON AUX.
33	1	462070	BAGUE - PISTON AUX. - GRAND
34	1	462071	BAGUE D'APPUI - PISTON AUX.
35	1	462072	BAGUE - PISTON AUX. - PETIT
36	1	462073	JOINT TORIQUE
37	1	470033	GOUPILLE SPIRAL
38	1	482013	MANCHON EN CAOUTCHOUC
39	1	482045	MANCHON EN CAOUTCHOUC
40	1	486080	JOINT D'ÉTANCHÉITÉ
41	2	488007	CALE
42	2	490003	CIRCLIP
43	1	490049	BAGUE RETENUE - INTERNE
44	9	494124	RESSORT - FREIN
45	1	504021	COMMUTATEUR
46	1	509132	TUBE - RELÂCHEMENT FREIN (ENTRÉE BAS)
	1	509131	TUBE - RELÂCHEMENT FREIN (ENTRÉE HAUT)
	1	509133	TUBE - RELÂCHEMENT FREIN (OUVERT. LAT.)
47	1	516051	DISTRIBUTEUR - MOTEUR (ROTATION A)
	1	516052	DISTRIBUTEUR - MOTEUR (ROTATION B)
	1	516053	DISTRIBUTEUR - MOTEUR (ROT. A/OUVERT. LAT.)
48	1	518047	RONDELLE DE BUTÉE
49	1	456038	RENIFLARD
50	1	434569	ÉTIQUETTE SIGNALÉTIQUE
51	1	434235	ÉTIQUETTE - ROTATION A
	1	434236	ÉTIQUETTE - ROTATION B
52	1	490066	BAGUE RETENUE - INTERNE



HD-P 34,9 EMBRAYAGE VERROUILLÉ

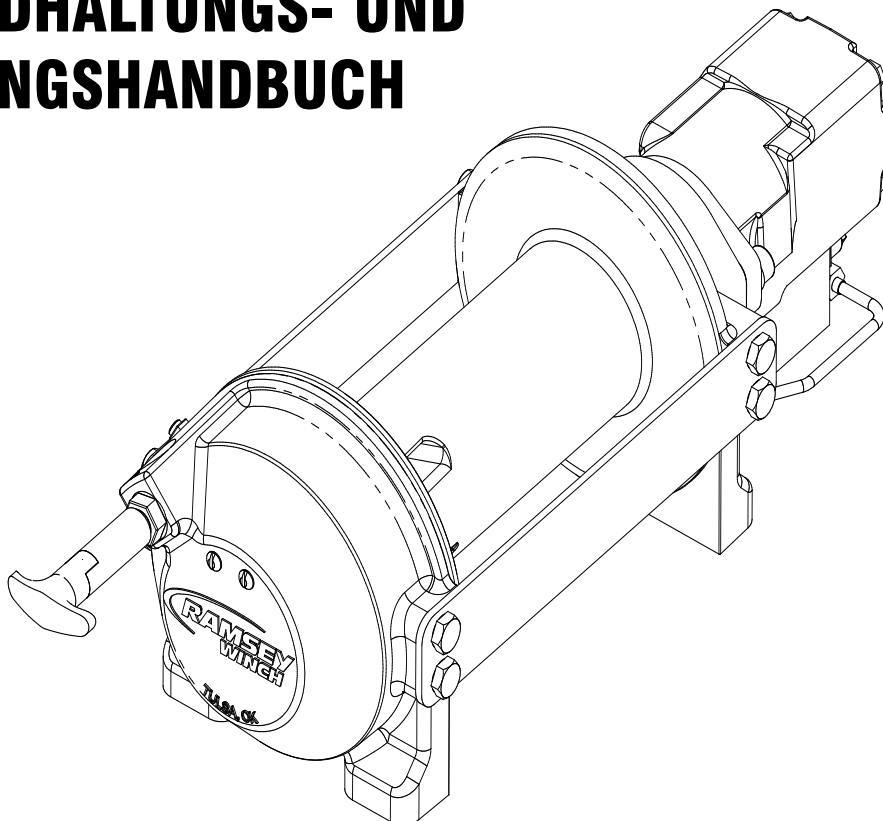
HD-P 34,9 EMBRAYAGE VERROUILLÉ - LISTE DES PIÈCES

N°	Quantité	N° réf.	Description
1	1	234224	TAMBOUR « STD » COMPLET
	1	234228	TAMBOUR « Y » COMPLET
2	1	299693	PISTON EMBRAYAGE COMPLET
3	6	330011	STATOR - FREIN
4	5	330012	DISQUE - FREIN
5	1	330013	PISTON - FREIN
6	1	330014	PISTON - FREIN AUX.
7	1	334174	PLANÉTAIRE - SORTIE
8	1	338358	PALIER D'EXTRÉMITÉ - MOTEUR
9	1	338359	PALIER D'EXTRÉMITÉ - BOÎTE D'ENGRENAGES
10	1	357177	ARBRE - ENTRÉE, TAMBOUR « STD »
	1	357176	ARBRE - ENTRÉE, TAMBOUR « Y »
11	2	395427	PLAQUE DE SERRAGE, TAMBOUR « STD »
	2	395426	PLAQUE DE SERRAGE, TAMBOUR « Y »
12	1	412085	BAGUE - TAMBOUR
13	1	412109	BAGUE - TAMBOUR, EXTRÉMITÉ MOTEUR
14	4	414159	VIS D'ASSEMBLAGE - 5/16-18 UNC x 2,5 po, TÊTE HEX., ZINC, GR. 5
	4	414147	VIS D'ASSEMBLAGE - 5/16-18 UNC x 2,5 po, TÊTE HEX., ZINC, GR. 5 (OUVERTURES
15	8	414581	VIS D'ASSEMBLAGE - 1/2-13 NC x 3/4 po, TÊTE HEX., ZINC, GR. 5
16	2	414854	VIS - 1/4-20 NC x 1/2 po, TÊTE RONDE, FENDUE, ZINC
17	1	414926	VIS DE PRESSION - 3/8-16 NC x 1 po, TÊTE CREUSE, NYLON
18	2	414952	VIS D'ASSEMBLAGE 1/2 - 13 NC X 1,5 PO, TÊTE CREUSE, ZINC
19	1	315008	GALET D'ANCRAGE DU CÂBLE
20	1	418036	NUT-3/8-16 NC, HEX JAM, ZINC
21	4	418163	CONTRE-ÉCROU - 3/8-16 NC, HEX., ZINC
22	2	418218	RONDELLE DE SÉCURITÉ - 5/16 PO, SECT. MOY., ZINC
23	1	431019	RONDELLE DE SÉCURITÉ - 1/2 PO D.I. SECT. MOY. ZINC
24	2	432018	RACCORD
25	1	442223	JOINT STATIQUE - BRIDE MOTEUR
26	1	444084	COURONNE
27	1	458074	MOTEUR HYD.
28	1	462067	PISTON - JOINT TORIQUE - PETIT
29	1	462068	PISTON - JOINT TORIQUE - GRAND
30	1	462069	JOINT TORIQUE - PISTON
31	1	462070	BAGUE - PISTON AUX. - GRAND
32	1	462071	BAGUE D'APPUI - PISTON AUX.
33	1	462072	BAGUE - PISTON AUX. - PETIT
34	1	462073	JOINT TORIQUE
35	1	470033	GOUPILLE SPIRAL
36	1	472052	BOUCHON
37	1	486080	JOINT D'ÉTANCHÉITÉ
38	2	490003	CIRCLIP
39	1	490049	BAGUE RETENUE - INTERNE
40	9	494124	RESSORT - FREIN
41	1	509132	TUBE - RELÂCHEMENT FREIN (ENTRÉE BAS)
	1	509131	TUBE - RELÂCHEMENT FREIN (ENTRÉE HAUT)
	1	509133	TUBE - RELÂCHEMENT FREIN (OUVERT. LAT.)
42	1	516051	DISTRIBUTEUR - MOTEUR (ROTATION A)
	1	516052	DISTRIBUTEUR - MOTEUR (ROTATION B)
	1	516053	DISTRIBUTEUR - MOTEUR (ROT. A/OUVERT. LAT.)
43	1	518037	RONDELLE DE BUTÉE
44	1	518047	RONDELLE DE BUTÉE
45	1	456038	RENIFLARD
46	1	434569	ÉTIQUETTE SIGNALÉTIQUE
47	1	434235	ÉTIQUETTE - ROTATION A
	1	434236	ÉTIQUETTE - ROTATION B
48	1	490066	BAGUE RETENUE - INTERNE
49	1	418088	NUT-5/8-18 NF, HEX JAM, ZINC
50	1	416080	VIS DE PRESSION - 5/8-18 NF x 1 po, TÊTE CREUSE



English (Original Instructions) 1
Français (Traduction des instructions originales) . . 20
Deutsch (Übersetzung der Originalanleitung) 39
Español(Traducción de las instrucciones originales).58

BETRIEBS-, INSTANDHALTUNGS- UND WARTUNGSHANDBUCH



MODELL HD-P 34,9 HYDRAULISCHE SEILWINDE MIT PLANETENGETRIEBE

**VERWENDUNGSZWECK: BERGEN VON FAHRZEUGEN UND ZIEHEN VON LASTEN
ACHTUNG: VOR DER MONTAGE UND INBETRIEBNAHME DER WINDE MUSS DIESES HANDBUCH**



Ramsey Winch Company
P.O. Box 581510 - Tulsa, OK 74158-1510, USA
Telefon: +1 (918) 438-2760 - Fax +1 (918) 438-6688
Besuchen Sie uns: <http://www.ramsey.com>

**Ramsey Bevollmächtigter in der Europäischen Union:
(Bitte nur bei Regulierungsfragen kontaktieren.)**

Alura Group BV
P.O. Box 18626
2502 EP The Hague
The Netherlands
Tel: (31) (0) 70 362-4896
Fax: (31) (0) 70 346-7299

INHALTSVERZEICHNIS

EINFÜHRUNG	43
ERANTWORTUNG DES BENUTZERS BEZÜGLICH EG-KONFORMITÄT	43
TECHNISCHE DATEN	43
WARNHINWEISE	43
MONTAGE DER WINDE	44
AUFLEGEN DES SEILS	44
WARTUNG	45
BETRIEB	45
HYDRAULIKANFORDERUNGEN	46
TYPISCHE ANORDNUNG	46
LEISTUNGSDIAGRAMME	46
FEHLERSUCHE	47
AUSSERBETRIEBSETZUNG	48
ÜBERHOLUNGSANWEISUNGEN	48-50
MASSZEICHNUNGEN	51-53
TEILELISTE UND TEILEZEICHNUNGEN	54-59
EG-KONFORMITÄTSERKLÄRUNG	60

TECHNISCHE DATEN*

Seilzugkraft, erste Lage	34,9 kN (7840 lb)				
Lärmpegel	75 db				
Umgebungstemperaturbereich	-28 °C à 60 °C				
Getriebeuntersetzung	5.1:1				
Gewicht (ohne Seil)	STD. TROMMEL	37.2 Kg (82lb)			
	„Y“- TROMMEL	34.5 Kg (76 lb)			
SEILLAGE	1	2	3	4	
Seilzugkraft pro Lage	kN	34,9	29,3	25,3	22,2
	lb	7,840	6,600	5,700	5,000

*Seilkapazität pro Lage

STD. TROMMEL	m	7	16	25	38
	ft	25	55	85	125
„Y“- TROMMEL	m	4	10	16	25
	ft	15	35	55	85
*Seilgeschwindigkeit (bei 56,7 l/min)	m/min	15,2	17,6	20,3	23,1
	FPM	50	58	67	76
*Diese technischen Daten basieren auf dem empfohlenen Drahtseil (11 mm Drahtstärke, Sorte 1960) und einem 408 cm³/R Motor.					

WARNHINWEISE:

DER BESITZER MUSS SICHERSTELLEN, DASS DAS BEDIENPERSONAL DIE ERFORDERLICHE SCHULUNG ERHÄLT.

DER BEDIENER MUSS BEIM BETRIEB STETS DIE BEDIENUNGSANWEISUNGEN BEFOLGEN.

DAS STEUVENTIL MUSS EIN OFFENES ZENTRUM HABEN, DAMIT DIE BREMSE FUNKTIONIERT.

VOR BEGINN DES WINDENBETRIEBS MUSS SICHERGESTELLT WERDEN, DASS DIE KUPPLUNG VOLLSTÄNDIG EINGERÜCKT IST.

DIE KUPPLUNG NICHT UNTER LAST AUSTRÜCKEN.

NIEMALS UNTER ODER NEBEN ANGEHOBELEN LASTEN STEHEN.

WÄHREND DES ZIEHENS EINEN SICHEREN ABSTAND ZUM SEIL EINHALTEN. NICHT VERSUCHEN, DAS SEIL ZU LENKEN.

DIE WINDE NICHT ZUM HEBEN, TRAGEN ODER ANDERWEITIGEN TRANSPORT VON PERSONEN VERWENDEN.

ZUM HALTEN DER LAST SIND MINDESTENS 2 SEILWICKLUNGEN UM DIE SEILTROMMEL NOTWENDIG.

FÜR AUTOTRANSPORTER: NACHDEM DAS FAHRZEUG AUF DEN TRANSPORTER GEZOGEN WURDE, MUSS DIESES AUF DER LADEFLÄCHE GESICHERT WERDEN. WÄHREND DER FAHRT DARF KEINE LAST AM WINDENSEIL HÄNGEN. DIE WINDE DARF NICHT ZUM FESTZURREN DES FAHRZEUGS VERWENDET WERDEN.

BEDINGUNGEN VERMEIDEN, BEI DENEN SICH DIE LAST VERSCHIEBT ODER RUCKARTIGE BEWEGUNGEN VORKOMMEN. ÜBERMÄSSIGEN „TIPPBETRIEB“ VERMEIDEN.

VERANTWORTUNG DES BENUTZERS BEZÜGLICH CE-KONFORMITÄT

1. Nur ein Durchfluss-Wegeventil (Motorwicklung) gemäß den Hydraulikanforderungen verwenden.
2. Wenn ein fernbedienter Windensteuerschieber verwendet wird, siehe die Hydraulikanforderungen für zu installierende Notstopkomponenten.
3. Hydrauliküberdruck gemäß den Hydraulikanforderungen anpassen.
4. Die Winde gemäß den Windeninstallationsanweisungen montieren.
5. Drahtseil (10 mm Drahtstärke, Sorte 1960) installieren. Für die STD. Trommel gilt eine maximale Seillänge von 38 m für maximal 4 Lagen. Für die „Y“-Trommel gilt eine maximale Seillänge von 25 m für maximal 4 Lagen. Das Seil gemäß den Seilinstallationsanweisungen an der Trommel befestigen. Haken muss eine Sicherheitssperre und eine minimale Abreißfestigkeit von 87 kN aufweisen.

MONTAGE DER WINDE

WICHTIGE MONTAGEANWEISUNGEN FÜR DIE AUFRECHTERHALTUNG DER AUSRICHTUNG DER PLANETENWINDENKOMponentEN:

Es ist sehr wichtig, dass diese Winde sicher befestigt wird, damit die drei Hauptsegmente (Motor, Seiltrommel und Getriebegehäuse) richtig ausgerichtet sind. Übermäßiger Buchsenverschleiß und Schwierigkeiten beim Freilauf sind in der Regel Anzeichen von Fehlausrichtung.

Wenn die Winde an der Seite angeschraubt wird, muss mindestens eine Verbindungsplatte an den Montagefüßen am Boden der Winde angebracht werden, um die Ausrichtung aufrechtzuerhalten. Wenn die Winde an den Füßen angeschraubt wird, muss mindestens eine Verbindungsplatte an der Seite der Winde angebracht sein, um die Ausrichtung aufrechtzuerhalten. Bei der fertig montierten Winde ist es immer wünschenswert, **BEIDE** Verbindungsplatten einzusetzen.

Für möglichst einfache Windenmontage sollte ein Winkelrahmen-Anbausatz 251006 (Standard-Trommel) oder 251007 („Y“-Trommel) verwendet werden. Mit dem Winkelrahmen-Anbausatz kann die Winde an den Füßen oder der Seite angeschraubt werden. Mit dem Winkelrahmen-Anbausatz kann die Winde in aufrechter oder in der Mitte montierter Konfiguration angebaut werden. Dieser Rahmen erfüllt alle Kriterien für eine solide und fluchtgerechte Anbaufläche.

Wird die Winde mit einem anderen Anbaurahmen als dem empfohlenen Ramsey Winkelrahmen-Anbausatz befestigt, muss das auf Seite 51-53 in den Maßzeichnungen beschriebene Bohrmuster verwendet werden. Die Anbaufläche muss eine Ebenheit innerhalb von 0,38 mm aufweisen und ausreichend steif und biegezugresistent sein. Wenn eine Stahlplatte für die Fußmontage verwendet wird, muss diese 20 mm stark sein. Bei dieser Art des Anbaus sind zum Montieren der Winde acht (8) 1/2-13NC x 38 mm lange Schrauben der Festigkeit 8.8 mit Sicherungsscheiben erforderlich. Die Schrauben auf 115 Nm festziehen.

ANMERKUNG: Wenn zum Anbau der Winde Montagewinkel oder eine Stahlplatte verwendet werden, müssen die im Lieferumfang der Winde enthaltenen Verbindungsplatten an den frei bleibenden Anbauflächen angeschraubt werden, egal ob an der Seite oder am Fuß.

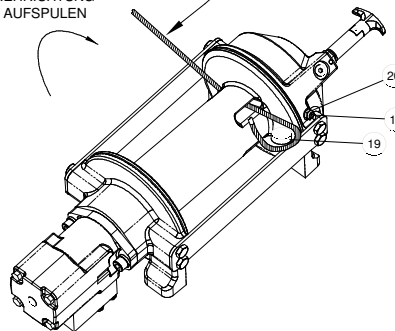
AUFLEGEN DES SEILS

Der Aufkleber „A“ oder „B“ auf dem Kupplungsgehäuse zeigt die Laufrichtung des Seils an. Außerdem ist in das kupplungsseitige Gehäuse ein Buchstabe A oder B eingepreßt, der die Drehrichtung anzeigt. Wenn der Aufkleber beschädigt oder unleserlich ist, können Anweisungen zum Bestimmen der richtigen Laufrichtung beim Kundendienst erfragt werden. **Zum Umkehren der Laufrichtung vertauschen Sie die Positionen der Patrone und Stopfen (siehe Abbildung auf Seite 39).**

1. Zum Abwickeln das Seil auf dem Boden entlang auslegen, um ein Knicken zu vermeiden. Das dem Haken entgegengesetzte Seilende mit Plastik- oder ähnlichem Klebeband umwickeln, um ein Ausfransen zu verhindern.
2. Das Drahtseil durch das schmale Ende der Tasche bis gegen den Trommelflansch einführen. Das Drahtseil um den Anker-Puck (Nr. 19) wickeln und dann das Drahtseil mit dem Anker in das weite Ende der Tasche zurückziehen. Mit einem Gummihammer auf die Rückseite des Drahtseils klopfen, bis Drahtseil und Anker fest in der Tasche sitzen.
3. Die Winde langsam in Aufwickelrichtung in Bewegung setzen. Das Seilende gespannt halten und das Seil vollständig auf die Seiltrommel aufwickeln. Darauf achten, dass sauber gewickelte Lagen entstehen.

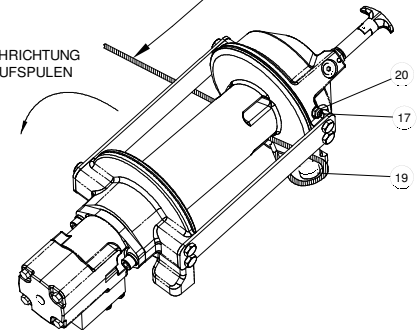
DAS SEIL WIE FÜR DREHRICHTUNG „A“ GEZEIGT EINFÜHREN (AUFWICKLUNG ÜBER DIE TROMMEL)

„A“ DREHRICHTUNG ZUM AUFSPULEN



DAS SEIL WIE FÜR DREHRICHTUNG „B“ GEZEIGT EINFÜHREN (UNTERWICKLUNG)

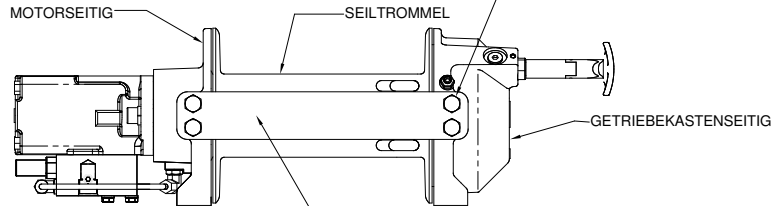
„B“ DREHRICHTUNG ZUM AUFSPULEN



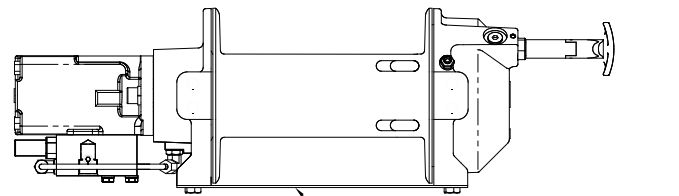
Nach dem Seilauflegen den Freilauf überprüfen. Die Kupplung ausrücken und das Seil mit Gehgeschwindigkeit abziehen. Wenn sich das Seil verwickelt, die Kontermutter (Nr. 20) lösen und die Nylonstellschraube (Nr. 17) nach rechts drehen, um den Widerstand an der Trommel zu erhöhen. Wenn zu viel Kraft zum Ziehen des Seils erforderlich ist, die Nylonstellschraube nach links drehen. Bei Erreichen der richtigen Einstellung die Kontermutter wieder festziehen.

ACHTUNG: BEI ZU STARKEM ANZIEHEN DER KONTERMUTTER KANN DAS GEWINDE DER NYLONSTELLSCHRAUBE BESCHÄDIGT WERDEN.

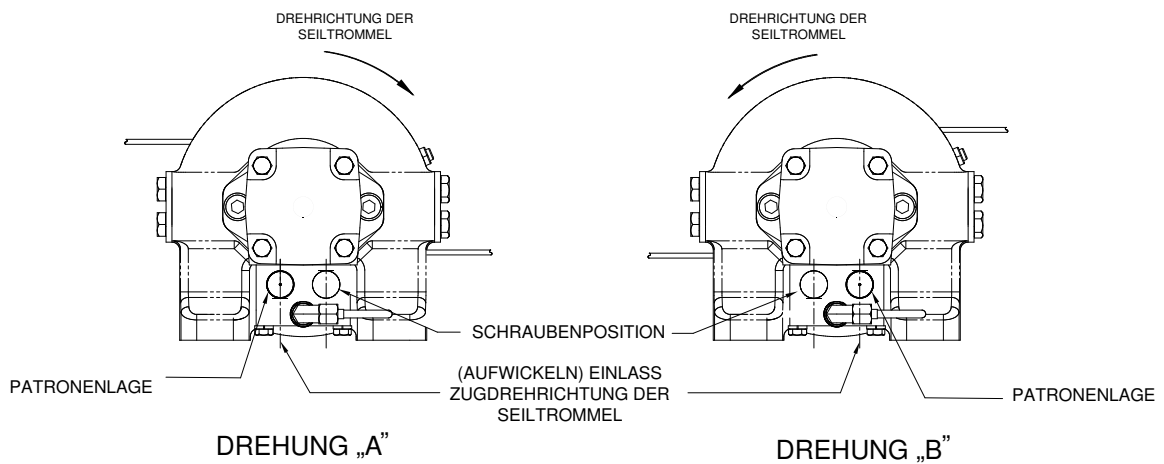
ACHTUNG: Wenn längere Schrauben (mindestens Sorte 5) zum Befestigen der Winde oder einer Rollenseilführung verwendet werden, muss die Schraubenlänge so ausgewählt werden, dass mindestens 12,7 mm des Gewindes in die Bohrungen in den Seiten der Endlager eingreifen. Bei zu langen Schrauben kann die Winde beschädigt und der unbehinderte Freilauf der Trommel beeinträchtigt werden. Schrauben auf 75 Nm festziehen.



STEHENDMONTAGE



MONTAGE SEITLICH



WARTUNG

1. Das Seil auf Beschädigungen überprüfen und regelmäßig schmieren. Ein ausgefranztes oder beschädigtes Seil muss sofort ersetzt werden.
2. Prüfen, ob die Kupplung vollständig einrückt. Siehe obige Anweisungen zum BETRIEB für den jeweiligen Kupplungshebel. NUR FÜR HANDBETÄTIGTE KUPPLUNGSHEBEL: Monatlich folgende Arbeit durchführen: Die Kupplung ausrücken, einige Tropfen Öl auf die Welle des Kupplungshebels geben und den Kupplungshebel mehrmals ein- und ausrücken, um die Innenseite der Baugruppe zu schmieren.
3. Prüfen, ob sich das Windenseil beim Freilauf verwickelt. Wenn das der Fall ist, die Schritte auf Seite 44 befolgen.
4. Wenn Schmierfett ausläuft, müssen die Trommelbuchsen und Dichtungen ersetzt werden. Siehe Überholungsanweisungen auf Seite 48-50. Falls notwendig, zusätzliches Mobilith SHC 007 auf die Zahnräder und Trommellager auftragen.

BETRIEB

Um mit der Funktion der Winde vertraut zu werden, sollten vor der tatsächlichen Verwendung Probeläufe durchgeführt werden. Probeläufe im Voraus planen. Die Winde beim Betrieb visuell und akustisch überwachen. Werden Sie mit den Geräuschen vertraut, die bei einem leichten konstanten Zug, schweren Zug und bei ruckartigen Bewegungen oder Verschiebungen der Last zu hören sind. Bedingungen, bei denen sich die Last verschiebt oder ruckartige Bewegungen vorkommen, vermeiden, da dies zu gefährlichen Situationen führen kann.

Ein ungleichmäßiges Spulen des Seils beim Ziehen der Last stellt kein Problem dar, außer wenn sich das Seil an einem Trommelende aufstaut. In diesem Fall das Seil abspulen um die Last vom Seil zu nehmen, und den Ankerpunkt weiter zur Fahrzeugmitte verschieben. Nach Gebrauch kann die Winde abgespult und das Seil in sauberen Lagen aufgewickelt werden.

Beim Ziehen einer schweren Last ungefähr 1,5 bis 1,8 m hinter dem Haken eine Decke, einen Mantel oder eine Plane über das Seil legen. Falls ein beschädigtes Seil reißen sollte, wird der Rückprall des Seils dadurch gedämpft, und schwere Verletzungen können vermieden werden.

Der Freilauf ermöglicht ein schnelles Abspulen des Seils von der Seiltrommel zum Einhaken der Last. Die Kupplung wird über den manuellen.

WARNUNG: DIE KUPPLUNG NICHT UNTER LAST AUSTRÜCKEN!

HANDBETÄTIGTER KUPPLUNGSHEBEL (siehe Maßzeichnung auf Seite 51):

AUSRÜCKEN DER KUPPLUNG: Die Winde im Rücklauf (Abwickelrichtung) laufen lassen, bis das Seil von der Last befreit ist. Den Hebelgriff herausziehen und um 90° drehen. Bei AUSGERÜCKTEM Kupplungshebel kann das Seil im Freilauf von der Trommel abgezogen werden.

EINRÜCKEN DER KUPPLUNG: Den Kupplungshebel herausziehen, um 90° drehen und den Hebel freigeben. Die Winde in Abwickelrichtung laufen lassen, bis der Kupplungshebel ganz in der EINGERÜCKTEN Position eingerastet ist. Eine Last **NUR** einziehen, wenn sich der Kupplungshebel vollständig in der EINGERÜCKTEN Position befindet. Wenn ein Anzeiger für die handbetätigte Kupplung vorhanden ist, leuchtet bei vollständiger EINRÜCKUNG die grüne Lampe. Eine Last **NUR** ziehen, wenn die grüne Lampe leuchtet. Die Installation der Lampe in der Fahrzeugelektrik ist dem Elektroschaltplan auf Seite 52 zu entnehmen.

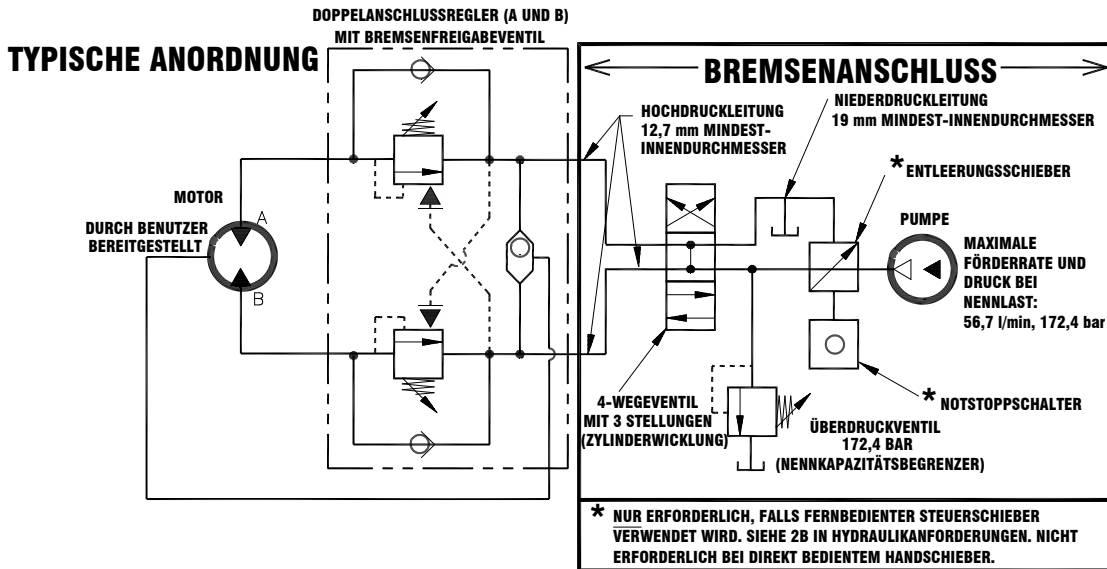
PNEUMATISCHER KUPPLUNGSHEBEL (siehe Maßzeichnung auf Seite 52):

AUSRÜCKEN DER KUPPLUNG: Die Winde im Rücklauf (Abwickelrichtung) laufen lassen, bis das Seil von der Last befreit ist. An den 0,125-27 NPT-Anschluss Druckluft anlegen: 5,5 bar (min.) - 10,3 bar (max.). **ACHTUNG: DRUCK DARF 10,3 BAR NICHT ÜBERSTIEGEN.** **EINRÜCKEN DER KUPPLUNG:** Druck aus dem Zylinder ablassen (eine Rückholfeder aktiviert den Kolben). Die Winde in Abwickelrichtung laufen lassen, bis die Einrück-Anzeigelampe der Kupplung grün leuchtet. Die Installation der Lampe in der Fahrzeugelektrik ist dem Elektroschaltplan auf Seite 52 zu entnehmen.

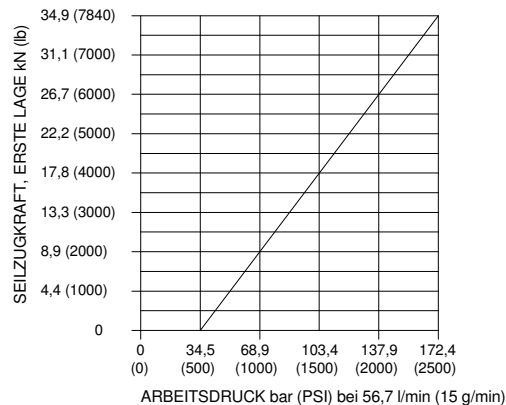
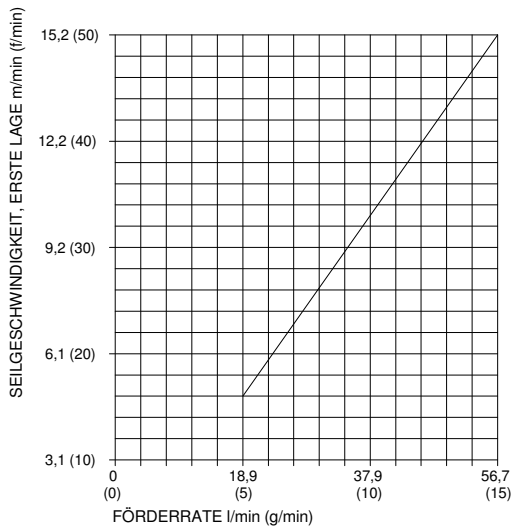
Zur richtigen Wahl der Hydraulik für die Leistung der Winde ist auf die folgenden Leistungsdiagramme Bezug zu nehmen. Die Diagramme zeigen: (1) Seilzugkraft (kN), erste Lage im Vergleich zum Arbeitsdruck (bar). (2) Seilgeschwindigkeit, erste Lage (m/min) im Vergleich zur Förderrate (l/min).

HYDRAULIKANFORDERUNGEN

1. Wegeventil (Motor-Durchflusssystem) erforderlich
2. Notstopp:
 - A. Falls Winde durch einen direktbedienten Handschieber gesteuert wird, funktioniert dieser Schieber als Notstopp.
 - B. Wenn ein fernbedienter Steuerschieber verwendet wird, sind ein magnetgesteuerter hydraulischer Entleerungsschieber (normalerweise gegen den Tank geöffnet) und ein Notstoppschalter (zum Öffnen des Entleerungsschiebers) erforderlich. Der Notstoppschalter ist ein Öffnerkontakt und hat einen roten, rücksetzbaren Druckknopfschalter mit gelbem Hintergrund. Der Notstoppschalter muss für den Bediener einfach zugänglich sein.
3. Überdruckventil auf 172,4 bar eingestellt, entspricht dem Nennkapazitätsbegrenzer.
4. Maximale Förderrate von 56,7 l/min. 75,7 l/min nicht überschreiten, das ansonsten Motor und Winde beschädigt werden können.
5. Hydrauliköl mit einer Viskosität zwischen 20-43 cSt (100-200 SUS). Maximale Betriebstemperatur 85 °C. Sauberkeitsstufe ISO 17-14 oder besser.



LEISTUNGSDIAGRAMME



BASIEREND AUF EINEM 254 CM³ MOTOR

FEHLERSUCHE

ZUSTAND	MÖGLICHE URSACHE	ABHILFE/MASSNAHME
TROMMEL DREHT SICH NICHT - OHNE LAST	Winde nicht gerade montiert, wodurch das Lager eingeklemmt wird.	Zusammenbau überprüfen. Siehe Montage der Winde auf Seite 44.
	Zahnräder beschädigt.	Beschädigte Zahnräder inspizieren und ggf. ersetzen.
TROMMEL DREHT SICH NICHT - MIT LAST	Winde nicht gerade montiert, wodurch das Lager eingeklemmt wird.	Zusammenbau überprüfen. Siehe Montage der Winde auf Seite 44.
	Last ist höher als die Nennlast der Winde.	Die Nennlast ist den technischen Daten auf Seite 43 zu entnehmen.
	Niedriger Hydraulikdruck.	Druck überprüfen. Siehe Hydraulik-Leistungsdiagramme auf Seite 46.
DIE WINDE LÄUFT ZU LANGSAM	Niedrige Hydraulikförderrate.	Förderrate überprüfen. Siehe Systemvoraussetzungen und typische Anordnung auf Seite 46.
	Motor ist abgenutzt.	Motor ersetzen.
KEIN FREILAUF AN DER TROMMEL	Kupplung nicht ausgerückt. Einstellung der handbetätigten Kupplung überprüfen (siehe Seite 49).	Funktion überprüfen (siehe Seite 45).
	Winde nicht gerade montiert, wodurch das Lager eingeklemmt wird.	Zusammenbau überprüfen. Siehe Montage der Winde auf Seite 44.
	Seitliche Befestigungsschrauben sind zu lang und verursachen eine Einklemmung des Hohlrads (Nr. 15, Seite 54).	Schraubenlänge überprüfen. Das Schraubengewinde MUSS zwischen 12,7 mm und 17,5 mm in die Gewindebohrungen in den Seiten des Lagers eingreifen.
BREMSE HÄLT NICHT	Falsches Wegeventil (mit geschlossenem Zentrum).	Nur ein Wegeventil mit offenem Zentrum verwenden.
DIE LAST VERSCHIEBT SICH	Zu hoher Gegendruck (max. 6,9 bar).	Hydrauliksystem auf Blockierungen überprüfen. Siehe Systemvoraussetzungen und typische Anordnung auf Seite 46.
SEIL VERWICKELT SICH BEI AUSGERÜCKTER KUPPLUNG	Trommelbremsschraube falsch eingestellt.	Die Nylon-Stellschraube justieren. Siehe Auflegen des Seils auf Seite 44.
STARKE GERÄUSCHE	Hydraulikförderrate zu hoch.	Förderrate überprüfen. Siehe typische Anordnung auf Seite 46.
	Trommel klemmt, da Winde nicht gerade montiert ist.	Zusammenbau überprüfen. Siehe Montage der Winde auf Seite 44.
TROMMEL RATTERT, IN AUFWICKELRICHTUNG	Niedrige Hydraulikförderrate.	Förderrate überprüfen. Siehe typische Anordnung auf Seite 46.
	Zu niedrige Hydrauliküberdruckeinstellung.	Einstellung des Überdruckventils überprüfen.
ÖLLECK AUS DEM ENTLÜFTER UNTER DEM MOTORENDLAGER	O-Ringe der Bremse, Stützringe oder Dichtflächen beschädigt.	Die Bremse demontieren und überprüfen. Siehe Überholungsanweisungen auf Seite 48.

AUSSERBETRIEBSETZUNG

Die Winde am Ende ihrer Brauchbarkeitszeit gemäß örtlichen Umweltvorschriften entsorgen.

ANLEITUNG ZUM ÜBERHOLEN DER WINDEN DER MODELLREIHE HD-P35

Auf die Zusammensetzung der Teile achten, damit diese wieder richtig zusammengebaut werden. Alle Dichtringe, O-Ringe und Dichtungen müssen beim Wiederausammenbau ersetzt werden.

Das Rohr (Nr. 41) aus der Winkelverschraubung (Nr. 24) am Boden des Bremsengehäuses und am Lastsenkbremsventil (Nr. 42) trennen. Langsam die Schrauben (Nr. 18) lösen und den Motor (Nr. 27) vom Gehäuse abnehmen. **ACHTUNG: DER MOTOR IST FEDERBELASTET.**

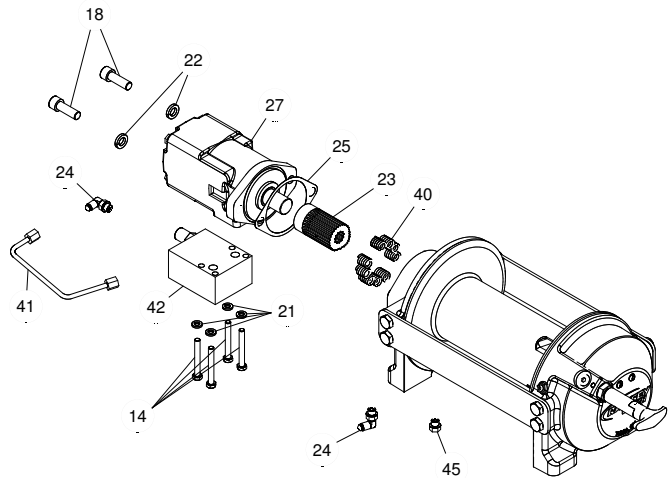
Das Entlüftungsventil (Nr. 45) überprüfen. Sicherstellen, dass es nicht verstopft ist. Wenn Öl aus dem Bremsengehäuse ausläuft, die O-Ringe, Stützringe und Dichtflächen überprüfen (siehe Seite 50).

Die Federn (Nr. 40) aus den Taschen ziehen und auf Beschädigungen überprüfen.

Den Dichtring (Nr. 25) ersetzen.

Das Kupplungsstück (Nr. 23) aus dem Gehäuse ausbauen und auf Anzeichen von Verschleiß prüfen. Bei Bedarf ersetzen.

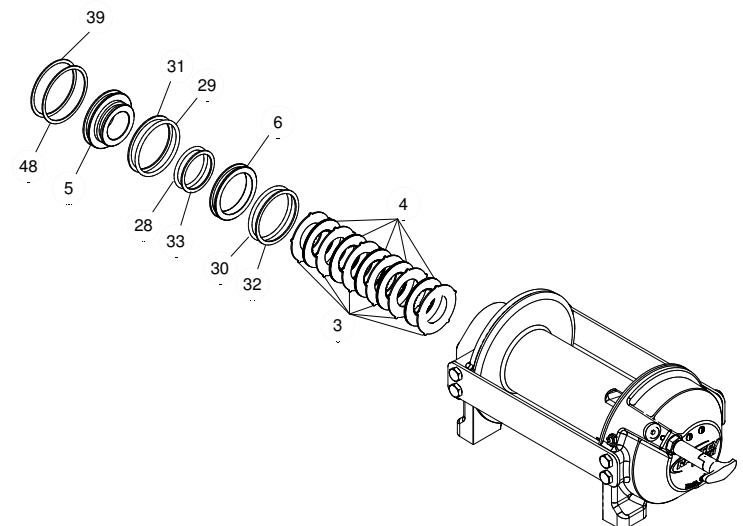
Falls notwendig, das Lastsenkbremsventil vom Motor abnehmen. Dazu die Schrauben (Nr. 14) entfernen.



Die Sicherungsringe (Nr. 39 und 48) mit einem Schraubendreher abziehen.

Die Bremsenteile aus dem Gehäuse ausbauen. VOR DEM AUSBAU DIE POSITION DER O-RINGE UND DER STÜTZRINGE NOTIEREN. Die Bremsscheiben (Nr. 4) und Statoren (Nr. 3) auf Anzeichen von Verschleiß prüfen und bei Bedarf ersetzen.

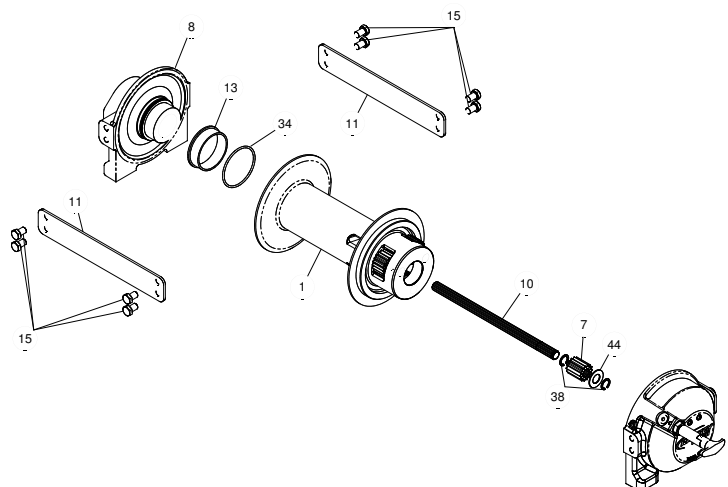
Die O-Ringe (Nr. 28 und 29) und die Stützringe (Nr. 31 und 33) im Bremskolben (Nr. 5) sowie den O-Ring (Nr. 30) und Stützring (Nr. 32) im Zusatzbremskolben (Nr. 6) auf Anzeichen von Verschleiß prüfen. Die O-Ringe und Stützringe aus den Rillen im Bremskolben bzw. Zusatzbremskolben herausstemmen und bei Bedarf ersetzen.



Die Verbindungsplatten (Nr. 11) abschrauben. Das Motorendlager (Nr. 8) und die Trommel (Nr. 1) aus dem Getriebekasten Lager ziehen.

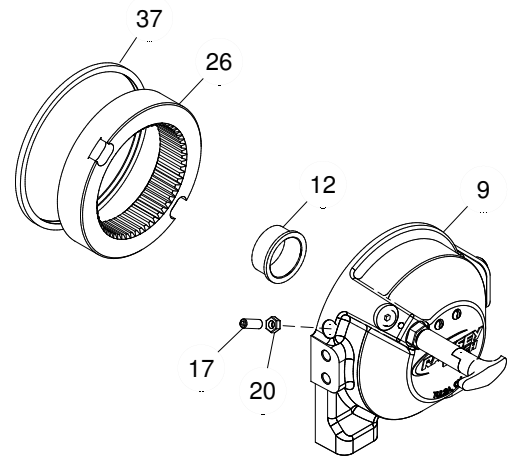
Die Antriebswelle (Nr. 10) ausbauen. Die Welle und das Abtriebssonnenrad (Nr. 7) auf Schäden prüfen und bei Bedarf ersetzen. Zum Ausbau des Abtriebssonnenrads die Sprengringe (Nr. 38) und die Anlaufscheibe (Nr. 44) entfernen und das Rad von der Welle abziehen.

Die Buchse (Nr. 13) und den O-Ring (Nr. 34) vom Motorendlager ausbauen. Einen neuen, gut geölten O-Ring in die Rille im Endlager drücken und die neue Buchse in das Lager pressen.



Die Dichtung (Nr. 37) aus dem Getriebekasten-Endlager (Nr. 9) ausbauen. Die Mutter (Nr. 20) lösen und die Nylonstellschraube (Nr. 17) entfernen. Falls erforderlich, das Hohlrad vom Getriebekasten-Endlager abnehmen. Die Buchse (Nr. 12) aus dem Endlager ausbauen.

Die neue Buchse in das Endlager pressen. Hohlrad, Nylonstellschraube und Mutter wieder anbringen. Das Hohlrad muss vollständig im Gehäuse sitzen und die Ausbuchtung im Hohlrad DARF NICHT auf das Loch des Kupplungshebels ausgerichtet sein. Eine neue Dichtung in das Endlager einbauen, wobei die scharfe Kante der Dichtung nach außen gerichtet sein muss.



Reichlich Schmierfett (MOBILITH SHC 007) auf die Zähne des Hohlrads (Nr. 26), die Zähne des Planetenrads in der Trommel (Nr. 1) und die Buchse (Nr. 12) im Getriebekasten-Endlager auftragen. Eine kleine Menge Schmierfett auf den Boden der Buchse (Nr. 13) auf dem Motorendlager auftragen. Auf die Zähne des Abtriebssonnenrads (Nr. 7) und die Antriebswelle (Nr. 10) Schmierfett auftragen.

Das Wellenende mit montiertem Abtriebssonnenrad in die Trommel (Nr. 2) stecken. Die Welle drehen, um die Planetenräder mit dem Abtriebssonnenrad in Eingriff zu bringen. Das Getriebe-Endlager auf die Trommel setzen und das Planetenrad mit dem Hohlrad in Eingriff bringen.

Das Motorendlager (Nr. 8) an die Trommelbaugruppe anbauen und die Verbindungsplatten (Nr. 11) und Schrauben (Nr. 15) anbringen, um beide Lager zusammenzuhalten. Die Schrauben auf 75 Nm festziehen.

Falls erforderlich, die Kupplungshebelbaugruppe (handbetätigt - Nr. 2 oder pneumatisch - Nr. 3) wie folgt ausbauen und ersetzen:

HANDBETÄTIGTER KUPPLUNGSHEBEL

Die Stellschraube (Nr. 19) und Kontermutter lösen und die Kupplungshebelbaugruppe (Nr. 2) abschrauben. Darauf achten, dass die Ausbuchtung im Hohlrad nicht auf das Loch im Kupplungshebel ausgerichtet ist. Falls notwendig, die Trommel drehen, damit das Loch und die Ausbuchtung nicht aufeinander ausgerichtet sind.

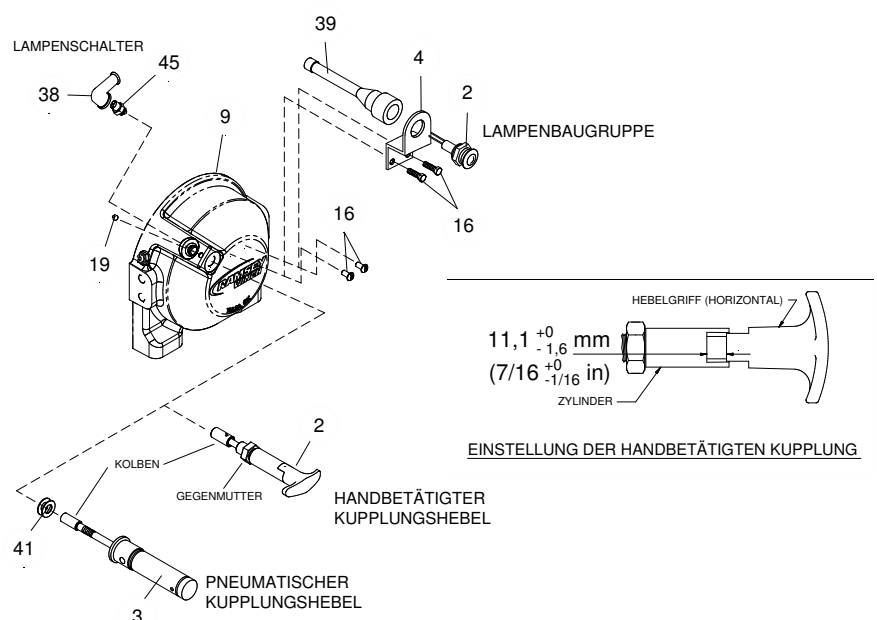
Die Kupplungshebelbaugruppe mit Kolben und Kontermutter einbauen, wobei der Hebelgriff wie unten gezeigt im Getriebekasten positioniert sein muss. Die Baugruppe (bei in den Zylinderschlitz eingreifendem Griff) in den Getriebekasten schrauben. Die Trommel in Richtung Getriebe-Endlager-Gehäuse ziehen, um jegliches Spiel zu entfernen. Die Trommel festhalten und den Kupplungshebel weiter einschrauben, bis der Spalt zwischen dem Ende des Griffes und dem Zylinder $11,1 \text{ mm} \pm 1,6 \text{ mm}$ beträgt und der Hebelgriff horizontal steht (siehe unten). **Anmerkung:** Dieser Spalt ist je nach dem Axialspiel der Trommel unterschiedlich. Bei ganz gegen das Motorgehäuse gezogener Trommel sollte der Spalt 9,5 mm breit sein.

Die Kontermutter leicht anziehen. Die Trommel drehen, bis der Hebelgriff vollständig in der eingerückten Position einrastet. Den Hebelgriff herausziehen und um 90° drehen. Während sich der Kupplungshebel in der AUSGERÜCKTEN Stellung befindet, überprüfen, ob sich die Trommel ungehindert drehen lässt (mindestens eine volle Umdrehung). Den Hebelgriff festhalten und die Kontermutter festziehen. Die Stellschraube (Nr. 19) festziehen. Die Funktion der Kupplung gemäß den Anweisungen auf Seite 45 erneut prüfen.

PNEUMATISCHER KUPPLUNGSHEBEL

Die Stellschraube (Nr. 19) lösen, um die Kupplungshebelbaugruppe (Nr. 3) zu entfernen. Zum Wiedereinbau 1 oder 2 Passscheiben (Nr. 41) auf den Kolben legen und die Kupplungshebelbaugruppe in den Getriebekasten schrauben. Je nach Bedarf Passscheiben hinzufügen oder entfernen, um die Baugruppe für die Druckluftanschlüsse auszurichten. Die Anschlüsse sollten nach unten zeigen (unterhalb der Horizontalebene). Die Stellschraube festziehen. Die Funktion der Kupplung gemäß den Anweisungen auf Seite 45 prüfen.

Wenn die Lampe (Nr. 2) oder der Schalter (Nr. 45) ersetzt werden müssen, auf das Anschlussdiagramm auf Seite 52 Bezug nehmen und wie gezeigt demontieren und wieder einbauen.



EINSTELLUNG DER HANDBETÄTIGTEN KUPPLUNG

Die Winde aufrecht mit dem Getriebekasten nach unten auf eine Werkbank stellen.

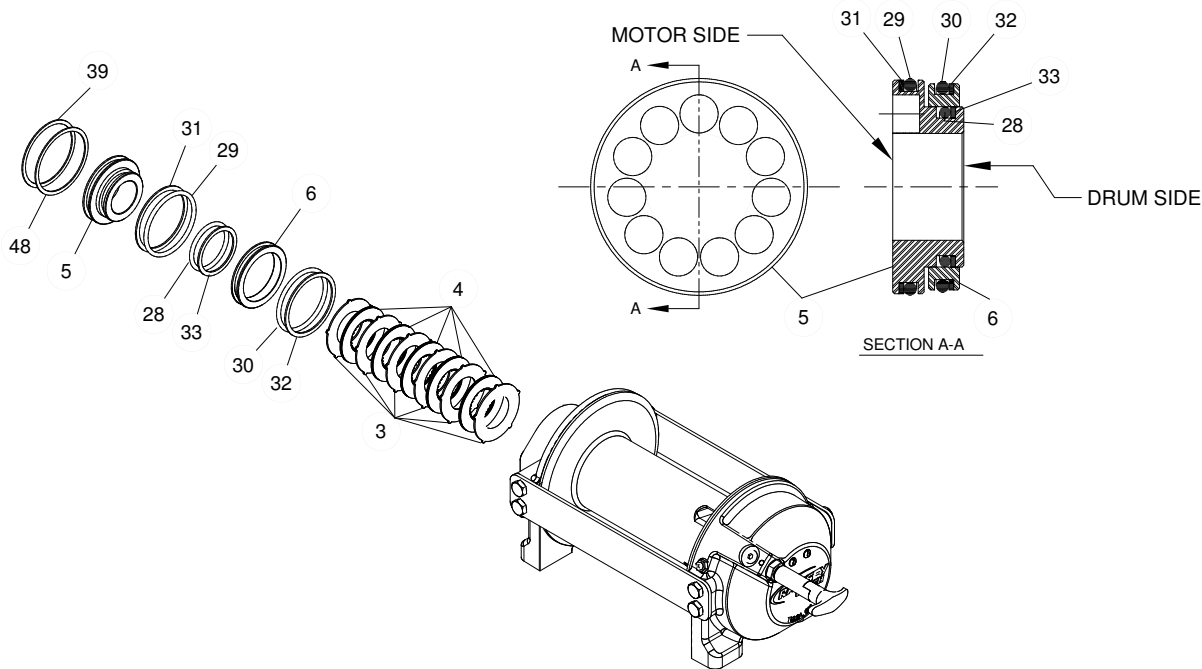
Gut geölte O-Ringe und Stützringe in die Rillen an der Außenseite des Bremskolbens und Zusatzbremskolbens einsetzen (wie unten im Querschnitt A-A gezeigt).

Kolben, Zusatzkolben, Bremscheiben und Statoren müssen sauber und frei von Schmierfett und Öl sein.

Die Bremscheiben (Nr. 4) und Statoren (Nr. 3) abwechselnd mit einem Stator beginnend und einem Stator endend in den Getriebekasten einbauen.

Den Zusatzbremskolben (Nr. 6) in den Motor einbauen und den Bremskolben (Nr. 5) einsetzen. **Bei der Installation muss ein gleichmäßiger Druck auf den Kolben ausgeübt werden.**

Die Sicherungsringe (Nr. 39 und 48) in die Rillen im Motorgehäuse einsetzen.



Die Federn (Nr. 40) in die Taschen an der Rückseite des Bremskolbens stecken. Die zwei leeren Taschen sollten auf gegenüberliegenden Seiten liegen.

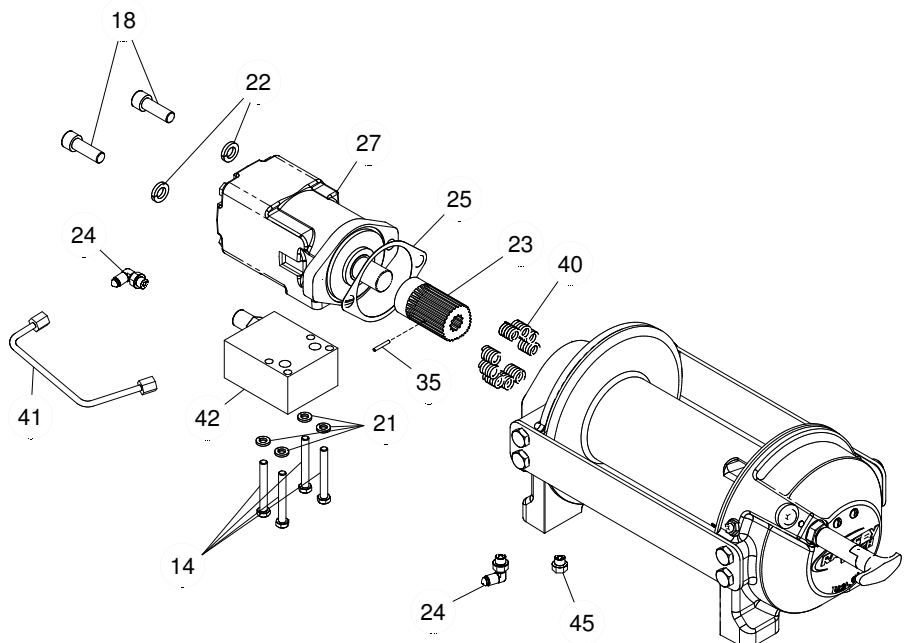
Den Spannstift (Nr. 35) unter der Keilverzahnung in die neue Motorkupplung einsetzen. Die Motorkupplung (Nr. 23) einsetzen und mit den Scheiben und der Antriebswelle in Eingriff bringen.

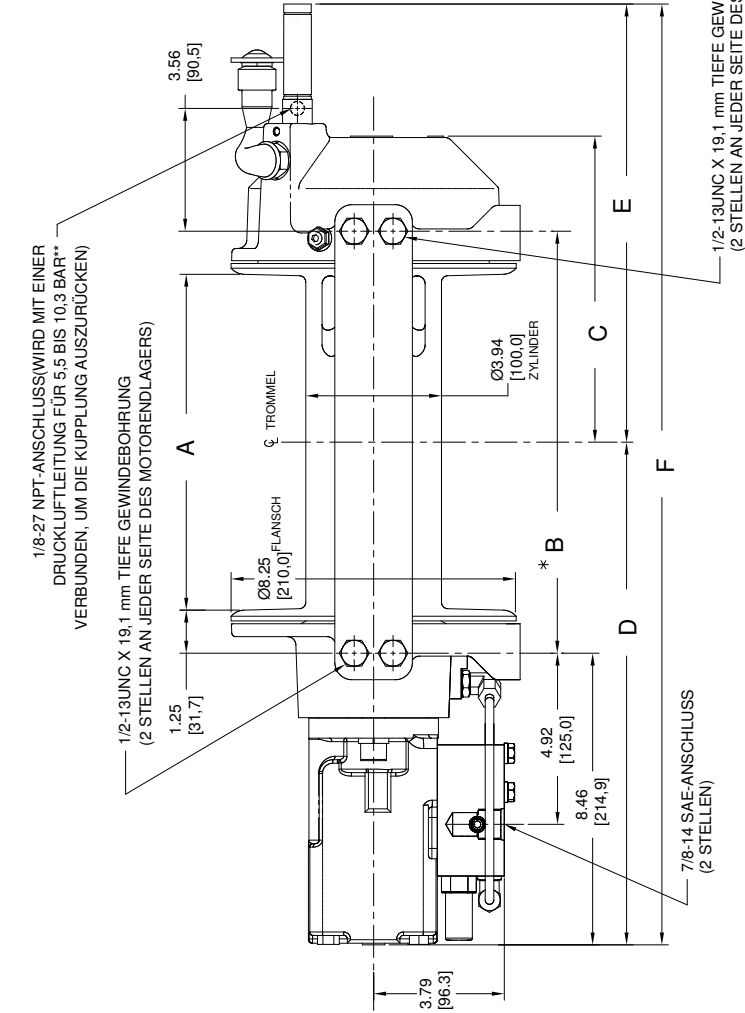
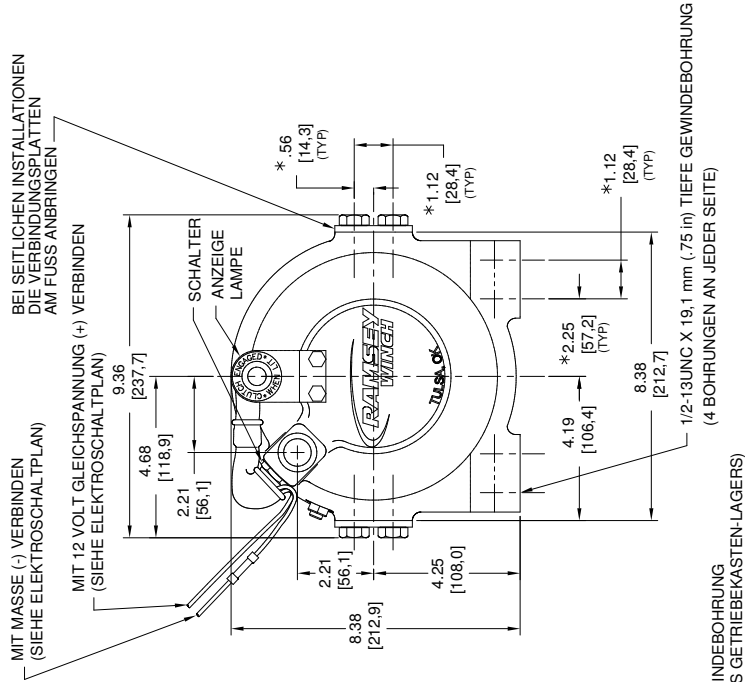
Den Dichtring (Nr. 25) auf die Anbaufläche des Motors (Nr. 27) legen. Die Motorwelle in die Kupplung schieben. Den Motor mit zwei (2) Schrauben (Nr. 18) und zwei (2) Sicherungsscheiben (Nr. 22) am Motorendlagergehäuse befestigen. Gleichmäßig auf 66 Nm festziehen.

Das Lastsenkbremsventil (Nr. 42) mit vier (4) Schrauben (Nr. 14) und vier (4) Sicherungsscheiben (Nr. 21) am Motor befestigen. Auf 23 Nm festziehen.

Die Verschraubungen (Nr. 24) sicher am Motorgehäuse und Lastsenkbremsventil anschließen und das Rohr (Nr. 41) an den Verschraubungen anschließen.

Mindestens 37,9 bar Hydraulikdruck an die Bremse anlegen und prüfen, ob sich die Bremse löst (Windentrommel dreht sich).

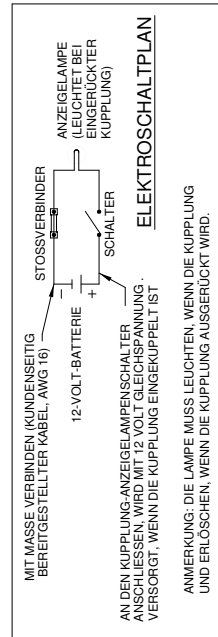




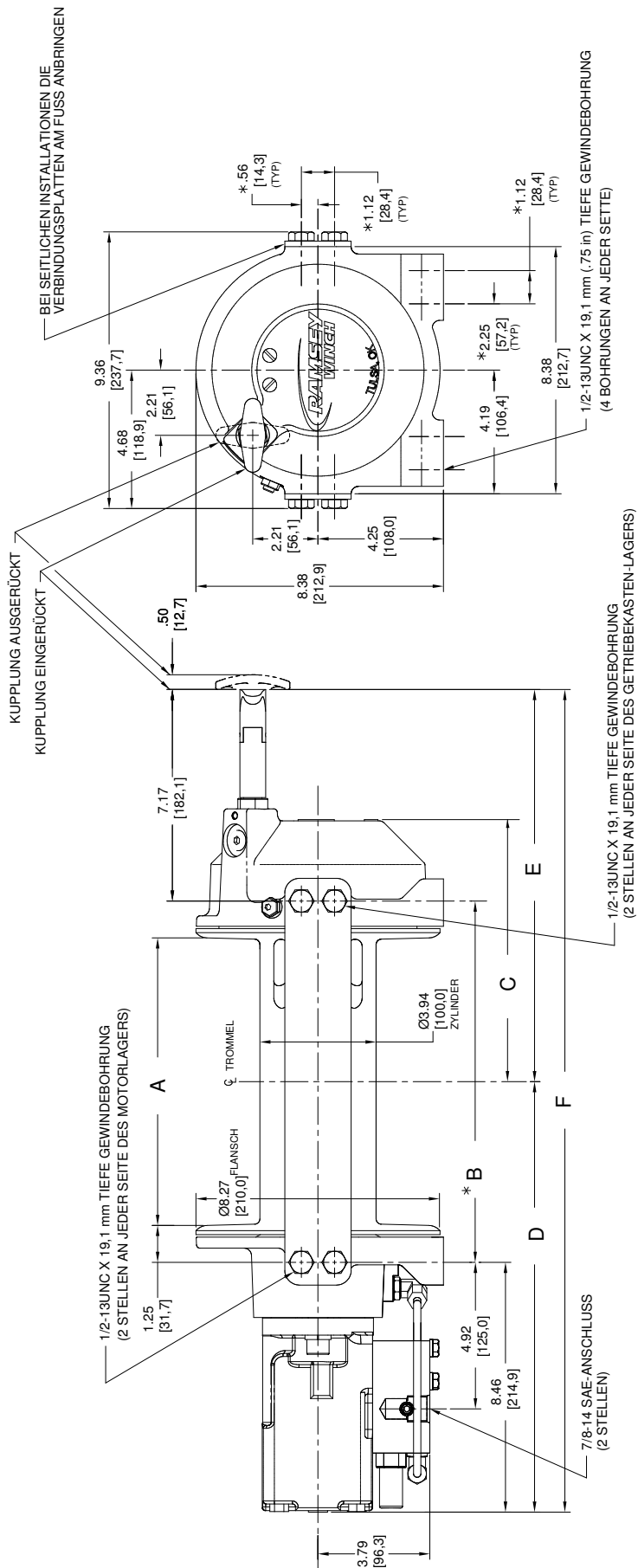
ANMERKUNGEN:

1. DIE BEFESTIGUNGSSCHRAUBEN DER WINDE MÜSSEN MINDESTENS DIE FESTIGKEIT 8.8 HABEN.
- * 2. DIE LAGE DIESER BOHRUNGEN MUSS INNERHALB VON ± 0.8 mm GEHALTEN WERDEN. DER EMPFOHLENE BOHRLOCHDURCHMESSER IST 13.5 mm.
- ** 3. ACHTUNG: DRUCK DARF 10.3 BAR NICHT ÜBERSCHREITEN.
4. DREHUNG „A“ GEZEIGT.

WINDENMODELL	A	B	C	D	E	F
	in	in	in	in	in	in
	mm	mm	mm	mm	mm	mm
HD-P 34,9 STD. TROMMEL	9.75	12.25	8.87	14.60	12.72	27.31
HD-P 34,9 „Y“-TROMMEL	247,7	311,2	225,3	370,9	323,1	693,7
	6.50	9.00	7.24	12.98	9.47	24.06
	165,1	228,6	184,0	329,6	240,6	611,1



HD-P 34,9 LUFTSCHALTUNG

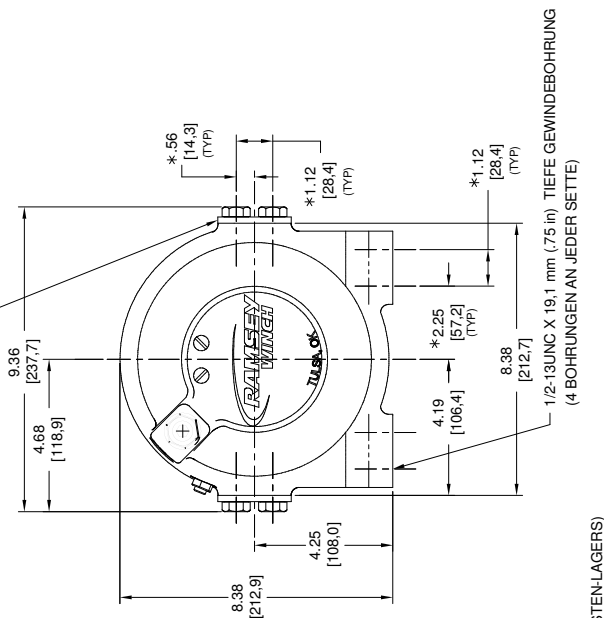


ANMERKUNGEN:

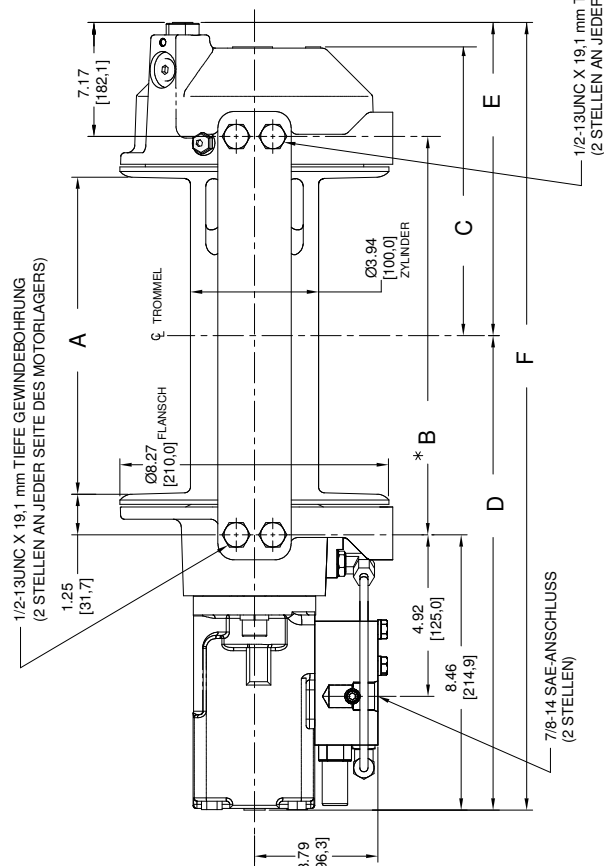
1. ALLE MASSANGABEN IN ZOLL ÜBER MILLIMETER.
2. DIE BEFESTIGUNGSSCHRAUBEN DER WINDE MÜSSEN MINDESTENS DIE * FESTIGKEIT 8.8 HABEN.
3. DIE LAGE DIESER BOHRUNGEN MUSS INNERHALB VON ± 0,8 mm GEHALTEN WERDEN. DER EMPFOHLENE BOHRLOCHDURCHMESSER IST 13,5 mm.
4. DREHUNG „A“ GEZEIGT.

HD-P 34,9 HANDSCHALTUNG

BEI SEITLICHEN INSTALLATIONEN DIE VERBINDUNGSPLATZEN AM FUSS ANBRINGEN



1/2-13UNC X 19,1 mm (.75 in) TIEFE GEWINDEBOHRUNG (4 BOHRUNGEN AN JEDER SEITE)

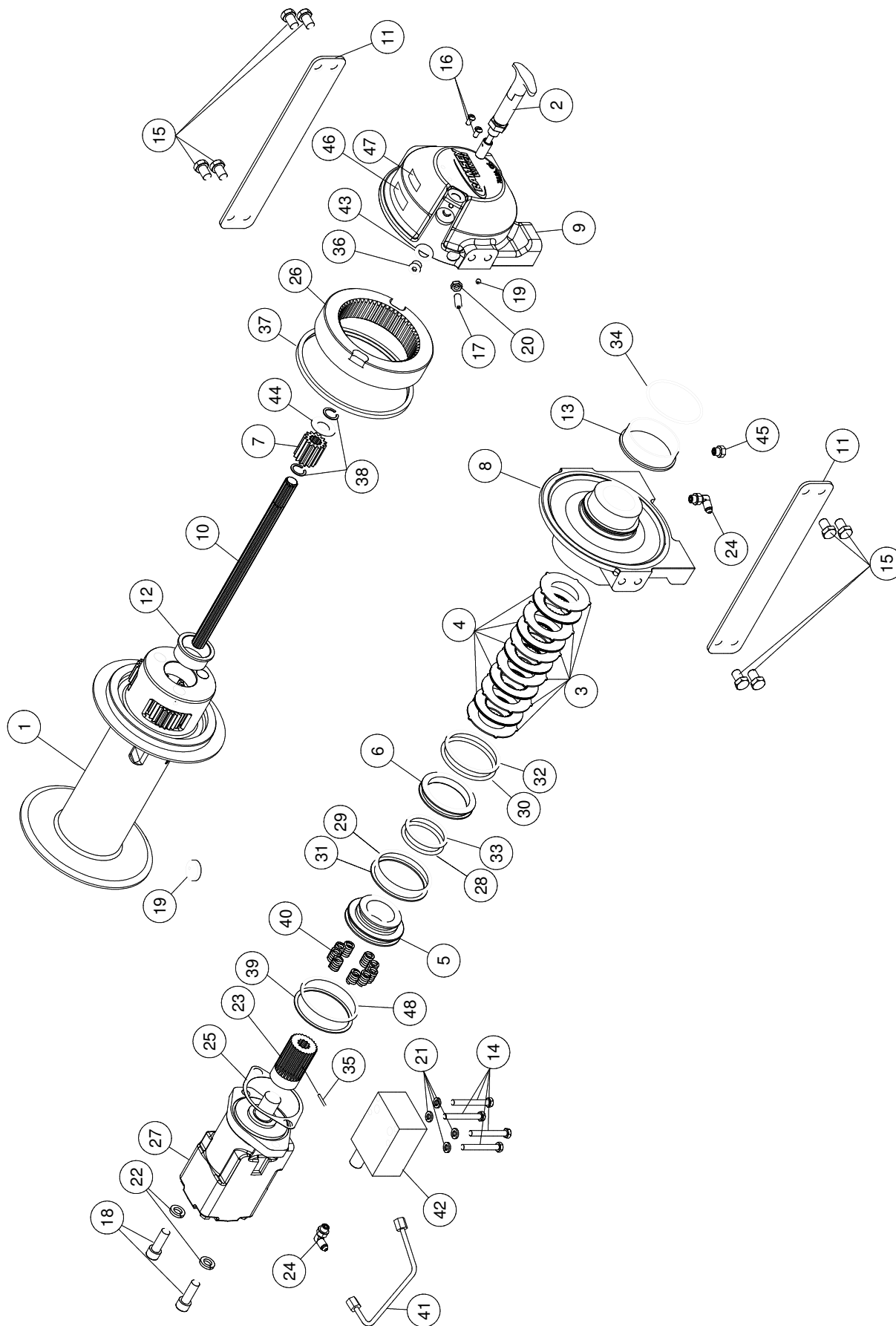


1/2-13UNC X 19,1 mm TIEFE GEWINDEBOHRUNG (2 STELLEN AN JEDER SEITE DES GETRIEBEKASTEN-LAGERS)

- ANMERKUNGEN:
1. ALLE MASSANGABEN IN ZOLL ÜBER MILLIMETER.
 2. DIE BEFESTIGUNGSSCHRAUBEN DER WINDE MÜSSEN MINDESTENS DIE FESTIGKEIT 8.8 HABEN.
 3. DIE LAGE DIESER BOHRUNGEN MUSS INNERHALB VON ±0.8 mm GEHALTEN WERDEN. DER EMPFOHLENE BOHRLOCHDURCHMESSER IST 13.5 mm.
 4. DREHUNG „A“ GEZEIGT.

WINDENMODELL	A	B	C	D	E	F
	in	in	in	in	in	in
	mm	mm	mm	mm	mm	mm
HD-P 34,9 STD. TROMMEL	9.75 247,7	12.25 311,2	8.87 225,3	14.60 370,9	9.62 244,3	24.22 615,2
HD-P 34,9 „Y“-TROMMEL	6.50 165,1	9.00 228,6	7.24 184,0	12.98 329,6	8.00 203,2	20.97 532,6

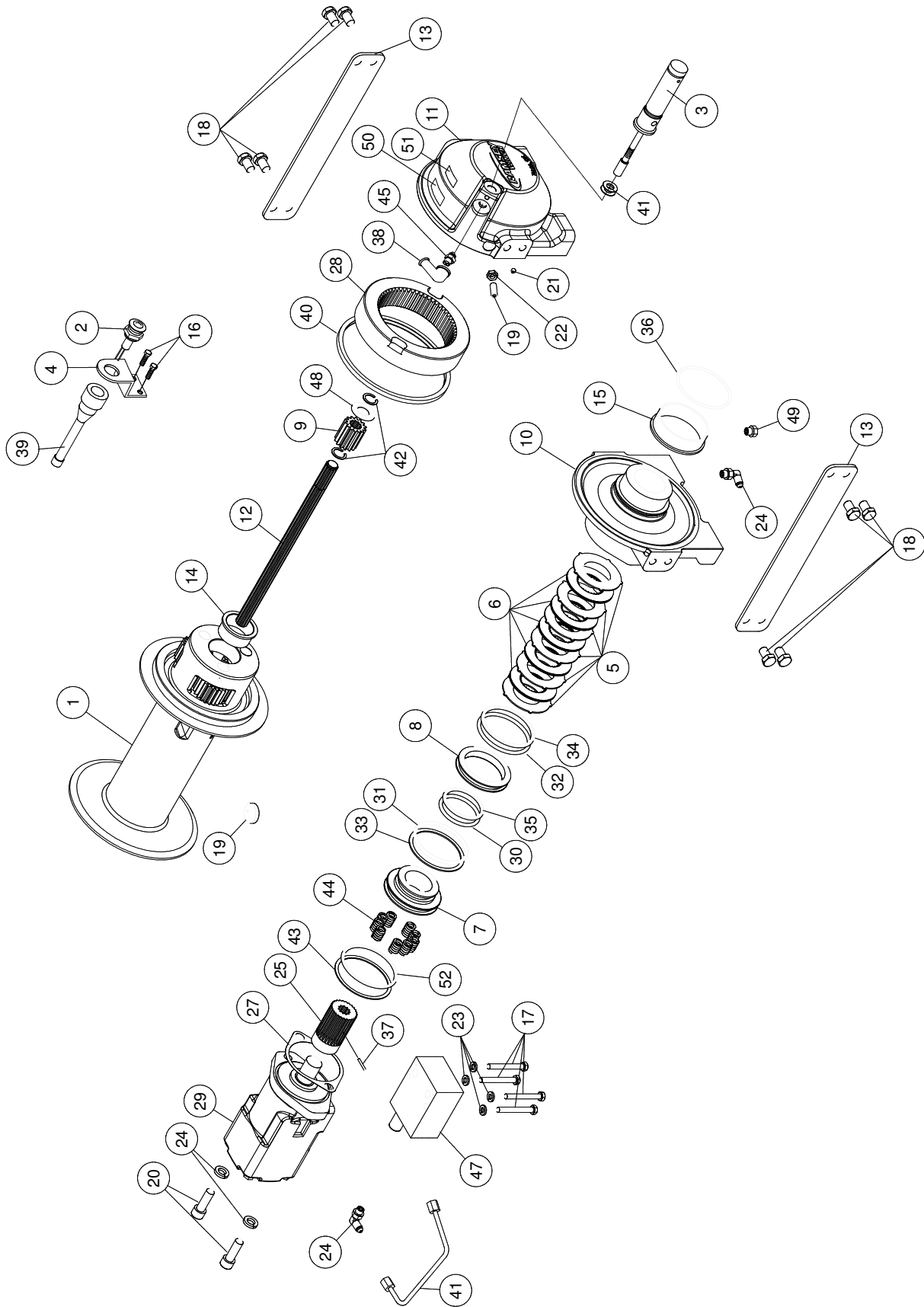
HD-P 34,9 KUPPLUNG VERRIEGELT



HD-P 34,9 HANDBETÄTIGTE KUPPLUNG

TEILELISTE FÜR HD-P 34,9 HANDBETÄTIGTE KUPPLUNG

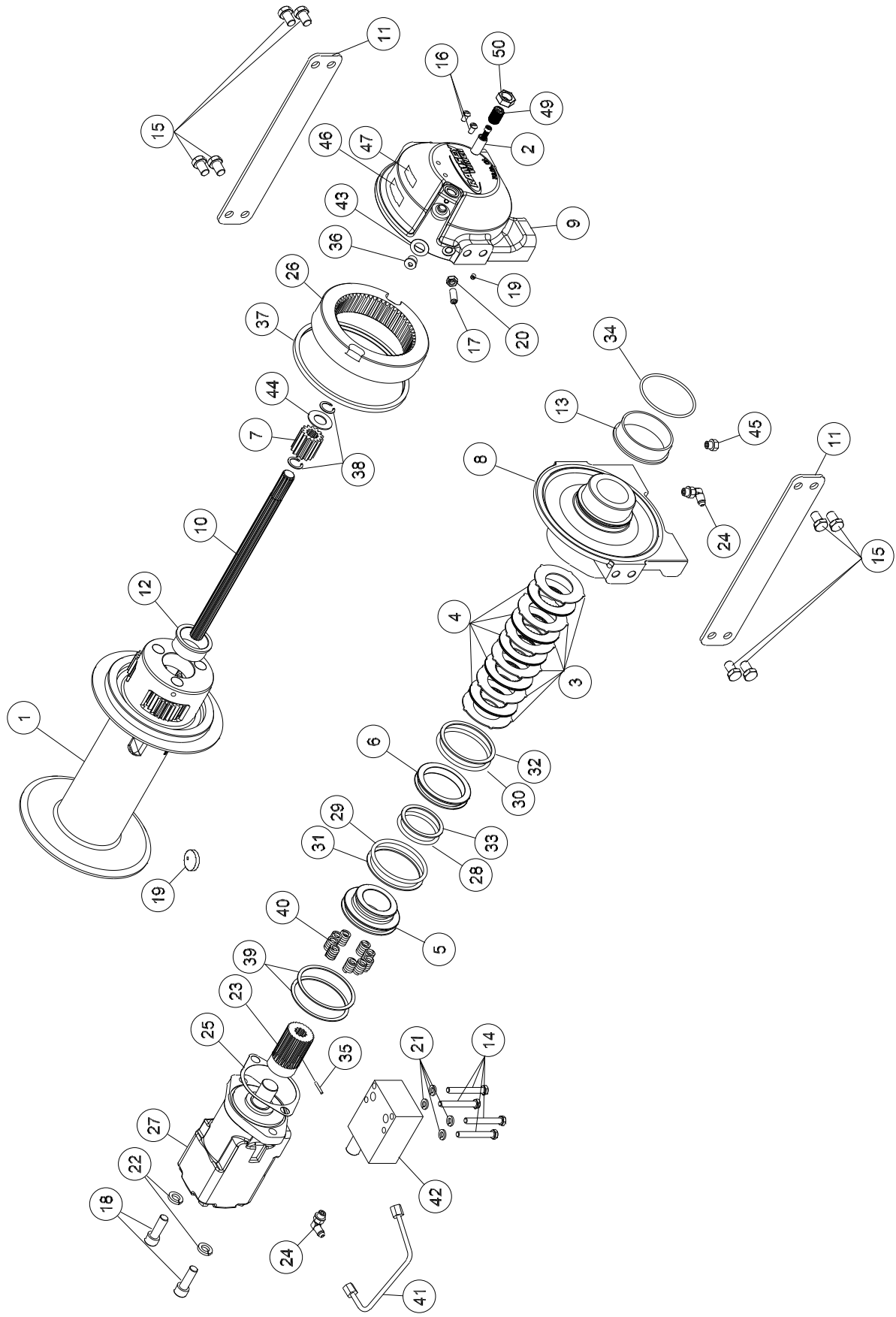
Lfd. Nr.	Menge	Art.-Nr.	Beschreibung
1	1	234224	STANDARD-TROMMEL, KOMPLETT
	1	234228	„Y“-TROMMEL, KOMPLETT
2	1	276048	KUPPLUNGSHABEL, KOMPLETT
3	6	330011	STATOR - BREMSE
4	5	330012	SCHEIBE - BREMSE
5	1	330013	KOLBEN - BREMSE
6	1	330014	KOLBEN - ZUSATZBREMSE
7	1	334174	GEAR-OUTPUT, SUN
8	1	338358	ENDLAGER - MOTOR
9	1	338359	ENDLAGER - GETRIEBEKASTEN
10	1	357177	WELLE - ANTRIEB (STD. TROMMEL)
	1	357176	WELLE - ANTRIEB („Y“-TROMMEL)
11	2	395427	VERBINDUNGSPLATTE („Y“-TROMMEL)
	2	395426	BUCHSE - TROMMEL
12	1	412085	BUCHSE - TROMMEL (MOTORSEITIG)
13	1	412109	BUSHING-DRUM, MOTOR END
14	4	414159	KOPFSCHRAUBE - 5/16-18UNC x 63 mm LANG, SECHSKANT, ZINK, SORTE 5
	4	414147	KOPFSCHRAUBE - 5/16-18UNC x 63 mm LANG, SECHSKANT, ZINK, SORTE 5 (SEITENANSCHLÜSSE)
15	8	414581	KOPFSCHRAUBE - 1/2-13NC x 19 mm LANG, SECHSKANT, ZINK, SORTE 5
16	2	414854	SCHRAUBE - 1/4-20NC x 13 mm LANG, RUNDKOPF, GESCHLITZT, ZINK
17	1	414926	STELLSCHRAUBE - 3/8-16NC x 25 mm LANG, INBUS, NYLON
18	2	414952	KOPFSCHRAUBE - 1/2-13NC X 38 mm, INBUS, ZINK, SEILANKER
19	1	315008	ROPE ANCHOR
20	1	418036	MUTTER - 3/8-16NC, SECHSKANT, GEGENMUTTER, ZINK
21	4	418163	SICHERUNGSSCHEIBE - 5/16, GETEILT, ZINK
22	2	418218	SICHERUNGSSCHEIBE - 1/2, GETEILT, ZINK
23	1	431019	KUPPLUNG - MOTOR
24	2	432018	VERSCHRAUBUNG
25	1	442223	DICHTRING - MOTORFLANSCH
26	1	444084	HOHLRAD
27	1	458074	MOTOR - HYDR.
28	1	462067	O-RING (KOLBEN), KLEIN
29	1	462068	O-RING (KOLBEN), GROSS
30	1	462069	O-RING (ZUSATZKOLBEN), GROSS
31	1	462070	STÜTZRING (KOLBEN), GROSS
32	1	462071	STÜTZRING (ZUSATZKOLBEN)
33	1	462072	STÜTZRING (KOLBEN), KLEIN
34	1	462073	O-RING
35	1	470033	SPIROL-STIFT
36	1	472052	VERSCHLUSSSCHRAUBE/STOPFEN
37	1	486080	DICHTUNG
38	2	490003	SEEGERRING
39	1	490049	SICHERUNGSRING - INTERN
40	9	494124	FEDER - BREMSE
41	1	509132	ROHR - BREMSFREIGABE (ANSCHLÜSSE NACH UNTEN)
	1	509131	ROHR - BREMSFREIGABE (ANSCHLÜSSE NACH OBEN)
	1	509133	ROHR - BREMSFREIGABE (SEITLICHE ANSCHLÜSSE)
42	1	516051	SCHIEBER - MOTORSTEUERUNG (DREHRICHTUNG „A“)
	1	516052	SCHIEBER - MOTORSTEUERUNG (DREHRICHTUNG „B“)
	1	516053	SCHIEBER - MOTORSTEUERUNG (DREHRICHTUNG „A“/SEITLICHE ANSCHLÜSSE)
43	1	518037	ANLAUFSCHEIBE
44	1	518047	ANLAUFSCHEIBE
45	1	456038	ENTLÜFTER
46	1	434569	NAMENSSCHILD
47	1	434235	SCHILD - DREHRICHTUNG „A“
	1	434236	SCHILD - DREHRICHTUNG „B“
48	1	490066	SICHERUNGSRING - INTERN



HD-P 34,9 PNEUMATISCHE KUPPLUNG

TEILELISTE FÜR HD-P 34,9 PNEUMATISCHE KUPPLUNG

Lfd. Nr.	Menge	Art.-Nr.	Beschreibung
1	1	234224	STANDARD-TROMMEL, KOMPLETT
	1	234234	„Y“-TROMMEL, KOMPLETT
2	1	236020	LIGHT ASSY
3	1	276058	KUPPLUNGSHEBEL, KOMPLETT
4	1	312529	HALTERUNG - LAMPENBAUGRUPPE
5	6	330011	STATOR - BREMSE
6	5	330012	SCHEIBE - BREMSE
7	1	330013	KOLBEN - BREMSE
8	1	330014	KOLBEN - ZUSATZBREMSE
9	1	334174	ZAHNRAD - ABTRIEB, SONNENRAD
10	1	338358	ENDLAGER - MOTOR
11	1	338359	ENDLAGER - GETRIEBEKASTEN
12	1	357177	WELLE - ANTRIEB (STD. TROMMEL)
	1	357176	WELLE - ANTRIEB („Y“-TROMMEL)
13	2	395427	VERBINDUNGSPLATTE (STD. TROMMEL)
	2	395426	VERBINDUNGSPLATTE („Y“-TROMMEL)
14	1	412085	BUCHSE - TROMMEL
15	1	412109	BUCHSE - TROMMEL (MOTORSEITIG)
16	2	414036	KOPFSCHRAUBE - 1/4-20NC x 13 mm LANG, SECHSKANT, ZINK
17	4	414159	KOPFSCHRAUBE - 5/16-18UNC x 63 mm LANG, SECHSKANT, ZINK, SORTE 5
	4	414147	KOPFSCHRAUBE - 5/16-18UNC x 89 mm LANG, SECHSKANT, ZINK, SORTE 5 (SEITENANSCHLÜSSE)
18	8	414581	KOPFSCHRAUBE - 1/2-13NC x 19 mm LANG, SECHSKANT, ZINK, SORTE 5
19	1	315008	SEILANKER
20	2	414952	KOPFSCHRAUBE - 1/2-13NC X 38 mm, INBUS, ZINK
21	1	416016	STELLSCHRAUBE - 1/4-20NC x 6 mm LANG, SECHSKANT, INBUS, GEWÖLBT
22	1	418036	MUTTER - 3/8-16NC, SECHSKANT, GEGENMUTTER, ZINK
23	4	418163	SICHERUNGSSCHEIBE - 5/16, GETEILT, ZINK
24	2	418218	SICHERUNGSSCHEIBE - 1/2, GETEILT, ZINK
25	1	431019	KUPPLUNG - MOTOR
26	2	432018	VERSCHRAUBUNG
27	1	442223	DICHTRING - MOTORFLANSCH
28	1	444084	HOHLRAD
29	1	458074	MOTOR - HYDR.
30	1	462067	O-RING (KOLBEN), KLEIN
31	1	462068	O-RING (KOLBEN), GROSS
32	1	462069	O-RING (ZUSATZKOLBEN)
33	1	462070	STÜTZRING (KOLBEN), GROSS
34	1	462071	STÜTZRING (ZUSATZKOLBEN)
35	1	462072	STÜTZRING (KOLBEN), KLEIN
36	1	462073	O-RING
37	1	470033	SPIROL-STIFT
38	1	482013	GUMMIMANSCHETTE
39	1	482045	GUMMIMANSCHETTE
40	1	486080	DICHTUNG
41	2	488007	PASSSCHEIBE
42	2	490003	SEEGERRING
43	1	490049	SICHERUNGSRING - INTERN
44	9	494124	FEDER - BREMSE
45	1	504021	SCHALTER
46	1	509132	ROHR - BREMSFREIGABE (ANSCHLÜSSE NACH UNTEN)
	1	509131	ROHR - BREMSFREIGABE (ANSCHLÜSSE NACH OBEN)
	1	509133	ROHR - BREMSFREIGABE (SEITLICHE ANSCHLÜSSE)
47	1	516051	SCHIEBER - MOTORSTEUERUNG (DREHRICHTUNG „A“)
	1	516052	SCHIEBER - MOTORSTEUERUNG (DREHRICHTUNG „B“)
	1	516053	SCHIEBER - MOTORSTEUERUNG (DREHRICHTUNG „A“/SEITLICHE ANSCHLÜSSE)
48	1	518047	ANLAUFSCHLEIFE
49	1	456038	ENTLÜFTER
50	1	434569	NAMENSSCHILD
51	1	434235	SCHILD - DREHRICHTUNG „A“
	1	434236	SCHILD - DREHRICHTUNG „B“
52	1	490066	SICHERUNGSRING - INTERN



HD-P 34,9 KUPPLUNG VERRIEGELT

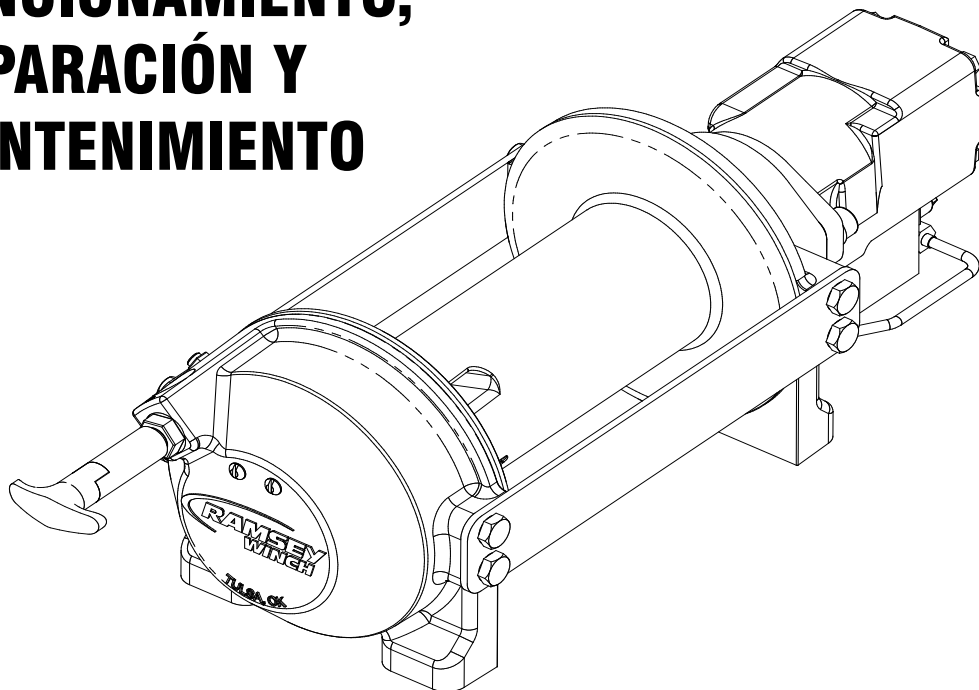
TEILELISTE FÜR HD-P 34,9 KUPPLUNG VERRIEGELT

Lfd. Nr.	Menge	Art.-Nr.	Beschreibung
1	1	234224	STANDARD-TROMMEL, KOMPLETT
	1	234228	„Y“-TROMMEL, KOMPLETT
2	1	299693	KUPPLUNG KOLBEN, KOMPLETT
3	6	330011	STATOR - BREMSE
4	5	330012	SCHEIBE - BREMSE
5	1	330013	KOLBEN - BREMSE
6	1	330014	KOLBEN - ZUSATZBREMSE
7	1	334174	GEAR-OUTPUT, SUN
8	1	338358	ENDLAGER - MOTOR
9	1	338359	ENDLAGER - GETRIEBEKASTEN
10	1	357177	WELLE - ANTRIEB (STD. TROMMEL)
	1	357176	WELLE - ANTRIEB („Y“-TROMMEL)
11	2	395427	VERBINDUNGSPLATTE („Y“-TROMMEL)
	2	395426	BUCHSE - TROMMEL
12	1	412085	BUCHSE - TROMMEL (MOTORSEITIG)
13	1	412109	BUSHING-DRUM, MOTOR END
14	4	414159	KOPFSCHRAUBE - 5/16-18UNC x 63 mm LANG, SECHSKANT, ZINK, SORTE 5
	4	414147	KOPFSCHRAUBE - 5/16-18UNC x 63 mm LANG, SECHSKANT, ZINK, SORTE 5 (SEITENANSCHLÜSSE)
15	8	414581	KOPFSCHRAUBE - 1/2-13NC x 19 mm LANG, SECHSKANT, ZINK, SORTE 5
16	2	414854	SCHRAUBE - 1/4-20NC x 13 mm LANG, RUNDKOPF, GESCHLITZT, ZINK
17	1	414926	STELLSCHRAUBE - 3/8-16NC x 25 mm LANG, INBUS, NYLON
18	2	414952	KOPFSCHRAUBE - 1/2-13NC X 38 mm, INBUS, ZINK, SEILANKER
19	1	315008	ROPE ANCHOR
20	1	418036	MUTTER - 3/8-16NC, SECHSKANT, GEGENMUTTER, ZINK
21	4	418163	SICHERUNGSSCHEIBE - 5/16, GETEILT, ZINK
22	2	418218	SICHERUNGSSCHEIBE - 1/2, GETEILT, ZINK
23	1	431019	KUPPLUNG - MOTOR
24	2	432018	VERSCHRAUBUNG
25	1	442223	DICHTRING - MOTORFLANSCH
26	1	444084	HOHLRAD
27	1	458074	MOTOR - HYDR.
28	1	462067	O-RING (KOLBEN), KLEIN
29	1	462068	O-RING (KOLBEN), GROSS
30	1	462069	O-RING (ZUSATZKOLBEN), GROSS
31	1	462070	STÜTZRING (KOLBEN), GROSS
32	1	462071	STÜTZRING (ZUSATZKOLBEN)
33	1	462072	STÜTZRING (KOLBEN), KLEIN
34	1	462073	O-RING
35	1	470033	SPIROL-STIFT
36	1	472052	VERSCHLUSSSCHRAUBE/STOPFEN
37	1	486080	DICHTUNG
38	2	490003	SEEGERRING
39	1	490049	SICHERUNGSRING - INTERN
40	9	494124	FEDER - BREMSE
41	1	509132	ROHR - BREMSFREIGABE (ANSCHLÜSSE NACH UNTEN)
	1	509131	ROHR - BREMSFREIGABE (ANSCHLÜSSE NACH OBEN)
	1	509133	ROHR - BREMSFREIGABE (SEITLICHE ANSCHLÜSSE)
42	1	516051	SCHIEBER - MOTORSTEUERUNG (DREHRICHTUNG „A“)
	1	516052	SCHIEBER - MOTORSTEUERUNG (DREHRICHTUNG „B“)
	1	516053	SCHIEBER - MOTORSTEUERUNG (DREHRICHTUNG „A“/SEITLICHE ANSCHLÜSSE)
43	1	518037	ANLAUFSCHLEIBE
44	1	518047	ANLAUFSCHLEIBE
45	1	456038	ENTLÜFTER
46	1	434569	NAMENSSCHILD
47	1	434235	SCHILD - DREHRICHTUNG „A“
	1	434236	SCHILD - DREHRICHTUNG „B“
48	1	490066	SICHERUNGSRING - INTERN
49	1	418088	MUTTER - 5/8-18NF, SECHSKANT, GEGENMUTTER, ZINK
50	1	416080	STELLSCHRAUBE - 5/8-18NF x 25 mm LANG, INBUS



English (Original Instructions)	1
Français (Traduction des instructions originales) ..	20
Deutsch (Übersetzung der Originalanleitung)	39
Español(Traducción de las instrucciones originales).	58

MANUAL DE FUNCIONAMIENTO, REPARACIÓN Y MANTENIMIENTO



CABESTRANTE PLANETARIO MODELO HD-P 34,9

USO PRETENDIDO: RECUPERACIÓN DE VEHÍCULOS Y ARRASTRE DE CARGAS



PRECAUCIÓN: LEER Y ENTENDER ESTE MANUAL ANTES DE INSTALAR Y OPERAR EL CABESTRANTE. OBSERVAR LAS ADVERTENCIAS.

Ramsey Winch Company

P.O. Box 581510 - Tulsa, OK 74158-1510 EE.UU.
Teléfono: + 1 918 438-2760 - Fax: +1 918 438-6688
Visítenos en <http://www.ramsey.com>

Ramsey Representante autorizado en la comunidad:

(Póngase en contacto sólo por cuestiones de reglamentación.)

Alura Group BV
P.O. Box 18626
2502 EP The Hague
The Netherlands
Tel: (31) (0) 70 362-4896
Fax: (31) (0) 70 346-7299

CONTENIDO

INTRODUCCIÓN	63
RESPONSABILIDAD DEL USUARIO PARA EL CUMPLIMIENTO CON LAS DISPOSICIONES CE	63
ESPECIFICACIONES	63
ADVERTENCIAS	63
MONTAJE DEL CABESTRANTE	64
INSTALACIÓN DE CABLE METÁLICO	64
MANTENIMIENTO	65
FUNCIONAMIENTO	65
REQUISITOS DEL SISTEMA HIDRÁULICO	66
DISPOSICIÓN TÍPICA	66
GRÁFICOS DE FUNCIONAMIENTO	66
GUÍA DE SOLUCIÓN DE PROBLEMAS	67
MEDIDAS CUANDO TERMINA LA VIDA ÚTIL	68
INSTRUCCIONES DE VERIFICACIÓN	68-70
DIBUJOS ACOTADOS	71-73
LISTA DE PIEZAS Y DIBUJOS DE PIEZAS	74-79
DECLARACIÓN CE DE CONFORMIDAD	80

ESPECIFICACIONES*

Tracción del cable de la primera capa	34,9 kN (7 840 lb)				
Nivel sonoro	75 db				
Temperatura ambiente	De -28° C a 60° C				
Reducción de engranajes	5.1:1				
Peso (sin cable)	TAMBOR ESTÁNDAR	37.2 Kg (82lb)			
	TAMBOR "Y"	34.5 Kg (76 lb)			
CAPA DE CABLE	1	2	3	4	
Tracción de cable por capa	kN	34,9	29,3	25,3	22,2
	lb	7,840	6,600	5,700	5,000

*Capacidad del cable por capa

TAMBOR ESTÁNDAR	M	6	15	24	36
	pies	20	50	80	120
TAMBOR "Y"	M	4	9	16	24
	pies	15	30	55	80
*Velocidad del cable a 56,7 LPM (15 GPM)	MPM	9,7	11,2	13,0	14,8
	PPM	32	37	43	49

*Estas especificaciones se basan en un cable metálico recomendado de 11 mm (0,433 pulgadas) de clase 1960 y en un motor de 408 cc (24,9 pulgadas cúbicas)/Rev.

ADVERTENCIAS:

EL USUARIO DEBERÁ GARANTIZAR QUE EL PERSONAL QUE OPERE EL EQUIPO HAYA RECIBIDO LA FORMACIÓN NECESARIA. EL OPERADOR DEBERÁ TRABAJAR SIEMPRE SIGUIENDO LAS INSTRUCCIONES DE FUNCIONAMIENTO. PARA EL FUNCIONAMIENTO DEL FRENO SE REQUIERE UNA VÁLVULA DE CONTROL DIRECCIONAL (CON ENSANCHE EN EL CENTRO) DE LA BOBINA DEL MOTOR. EL EMBRAGUE DEBE ESTAR TOTALMENTE ENGRANADO ANTES DE COMENZAR A MANEJAR EL CABESTRANTE. NO DESENGRANAR EL EMBRAGUE BAJO CARGA. NO ACERCARSE A LAS CARGAS ELEVADAS. NO ACERCARSE AL CABLE METÁLICO CUANDO ESTÉ TIRANDO. NO INTENTAR GUIAR EL CABLE METÁLICO. NO UTILIZAR EL CABESTRANTE PARA LEVANTAR, SUJETAR O TRANSPORTAR PERSONAS. PARA SUJETAR LA CARGA SE NECESITA UN MÍNIMO DE 2 VUELTAS DE CABLE METÁLICO ALREDEDOR DEL CUERPO DEL TAMBOR. EN APLICACIONES DE TRANSPORTE DE VEHÍCULOS, DESPUÉS DE SUBIR EL VEHÍCULO AL TRANSPORTADOR, ASEGURARSE DE FIJARLO A LA CAJA. NO MANTENER LA CARGA EN EL CABLE DEL CABESTRANTE CUANDO SE ESTÉ TRANSPORTANDO EL VEHÍCULO. NO EMPLEAR EL CABESTRANTE COMO AMARRA. EVITAR LAS CONDICIONES EN LAS QUE SE PUEDA PRODUCIR LA SACUDIDA O EL DESPLAZAMIENTO DE LA CARGA. DEBERÁ EVITARSE EL BALANCEO EXCESIVO.

RESPONSABILIDAD DEL USUARIO PARA EL CUMPLIMIENTO CON LAS DISPOSICIONES CE

1. Emplear solamente una válvula de control (con ensanche en el centro) de la bobina del motor que sea conforme a los requisitos del sistema hidráulico.
2. Si se usa una válvula de control del cabestrante accionada de forma remota, consultar la sección de requisitos del sistema hidráulico para conocer los componentes de parada de emergencia que es necesario instalar.
3. Ajustar la presión de alivio del sistema conforme a lo descrito en la sección de requisitos del sistema hidráulico.
4. Montar el cabestrante según las instrucciones de montaje del cabestrante.
5. Instalar el cable metálico de 10 mm de clase 1960. Para el tambor estándar, la longitud máxima del cable debe ser de 38 m para un máximo de cuatro capas. Para el tambor Y, la longitud máxima del cable debe ser de 25 m para un máximo de cuatro capas. Conectar el cable al tambor según las instrucciones de instalación del cable. El gancho debe tener un cierre de seguridad y una resistencia mínima a la ruptura de 87 kN.

MONTAJE DEL CABESTRANTE

INSTRUCCIONES DE MONTAJE FUNDAMENTALES PARA ALINEAR LOS COMPONENTES DEL CABESTRANTE PLANETARIO:

Es de suma importancia que este cabestrante se monte firmemente de forma que las tres secciones principales (el extremo del motor, el tambor del cable y el extremo de la caja de engranajes) queden alineadas correctamente. Un desgaste excesivo del manguito y la dificultad a la hora de desenrollar libremente el cable son síntomas habituales de desalineación.

Cuando está instalado, si el cabestrante está montado en el centro entonces deberá conectarse por lo menos una placa de anclaje con los pies de montaje de la parte inferior del cabestrante para mantener la alineación. Si el cabestrante está montado sobre pedestal, entonces al menos una placa de anclaje deberá permanecer montada en el punto central del cabestrante para mantener la alineación. Siempre es preferible emplear AMBAS placas de anclaje en la configuración final de instalación.

Se recomienda el uso del Equipo de Montaje de Escuadra, N/P 251006 (tambor "Estándar") o 251007 (tambor "Y"), para que sea más sencillo montar el cabestrante. El equipo de escuadra permite que se monte el cabestrante en aplicaciones de montaje de pie o central y cumple con el criterio de servir como superficie de montaje sólida y fuerte.

Cuando se monte el cabestrante con otro equipo que no sea el Equipo de Escuadra Ramsey, habrá que emplear los patrones de agujeros de montaje descritos en los dibujos acotados de las páginas 71-73. La superficie de montaje debe ser plana dentro de los 0,38 mm y lo suficiente rígida como para resistir la flexión. Si se emplea una placa de acero para el montaje sobre pedestal, deberá tener un grosor de 19,05 mm. Para esta aplicación de montaje se necesitarán ocho (8) tornillos de casquete 1/2-13NC X 1-1/2 pulg. de largo clase 5 con arandelas de seguridad para montar el cabestrante. Los tornillos de casquete deben apretarse a un par de torsión de 115 Nm.

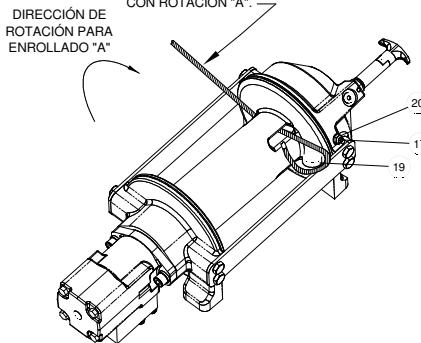
NOTA: Si se emplean las escuadras o la placa de acero para montar el cabestrante, habrá que conectar las placas de anclaje provistas con el cabestrante a las almohadillas de montaje, ya sean laterales o de pedestal.

INSTALACIÓN DE CABLE METÁLICO

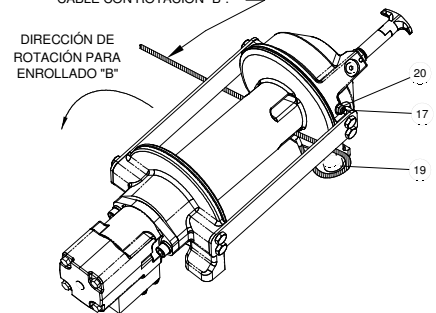
Una etiqueta "A" o "B" en el cojinete final del embrague indica la dirección del enrollado del cable. También está grabada la letra "A" o "B" en el cojinete final del extremo del embrague para indicar la dirección de rotación. Si la etiqueta está dañada o es ilegible, ponerse en contacto con Atención al Cliente para recibir instrucciones adicionales sobre cómo determinar la dirección correcta. **Para invertir la dirección de rotación, intercambie las posiciones del cartucho y enchufe como se muestra en la página 56.**

- Desenrollar el cable extendiéndolo sobre el suelo para evitar el retorcimiento. Envolver firmemente el extremo del cable, opuesto al gancho, con cinta plástica o similar para evitar que se deshilache.
- Deslizar el cable metálico a través del extremo estrecho del receptáculo junto al reborde del tambor. Enrollar el cable metálico alrededor del retenedor (elemento núm. 19), tirar de aquél y anclarlo de vuelta en el extremo ancho del receptáculo. Emplear un martillo blando para dirigir el lado posterior del cable metálico, asentando éste último y el anclaje firmemente en el receptáculo.
- Hacer funcionar con cuidado el cabestrante en la dirección de subida con el carrete. Manteniendo la tensión en el extremo del cable, enrollar todo el cable en el tambor del cable, teniendo cuidado de formar capas bien envueltas.

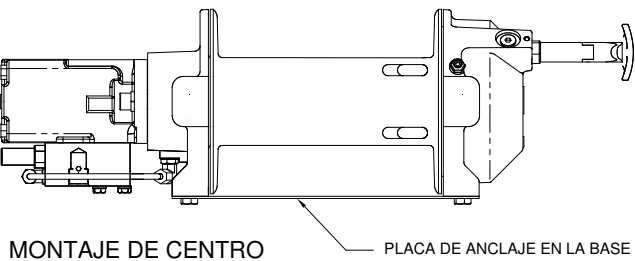
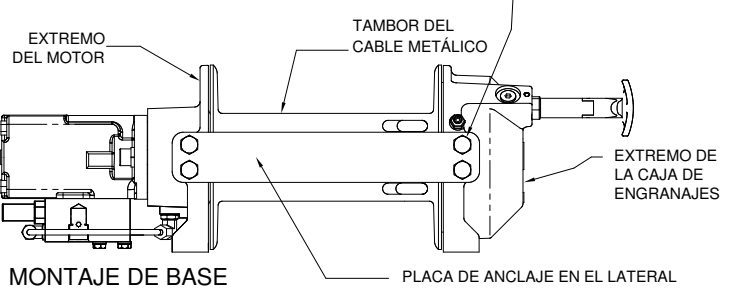
INSERTAR EL CABLE TAL COMO SE INDICA PARA LA APLICACIÓN DE ENROLLADO DEL CABLE CON ROTACIÓN "A".



INSERTAR EL CABLE TAL COMO SE INDICA PARA LA APLICACIÓN DE DESENROLLADO DEL CABLE CON ROTACIÓN "B".

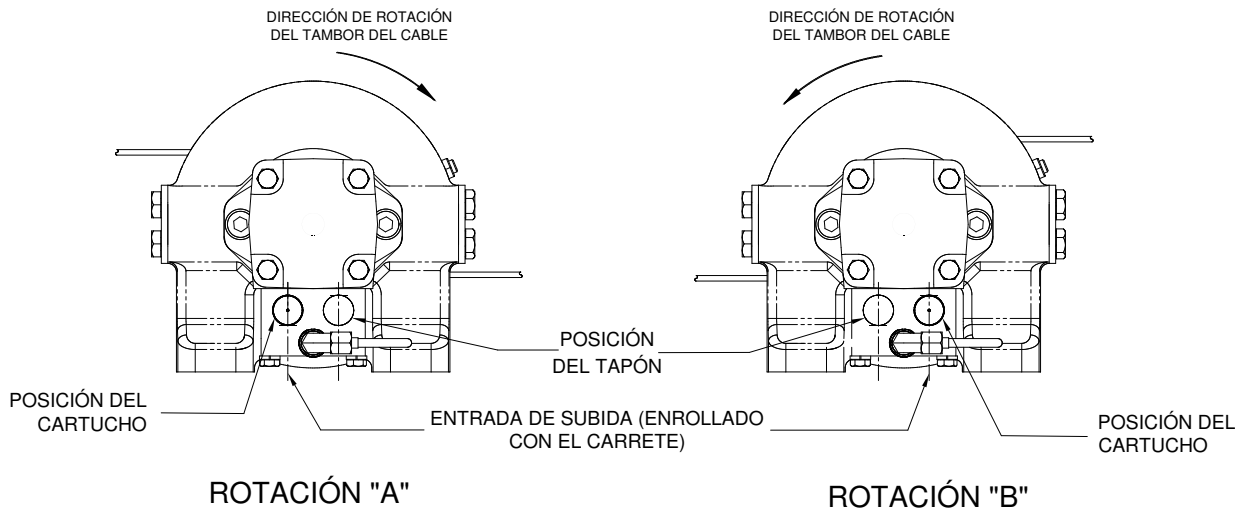


PRECAUCIÓN: Si se sustituyen los pernos más largos (como mínimo clase 5) para montar el cabestrante o para montar un rodillo guía en las almohadillas de montaje laterales, la longitud del perno debe ser tal que permita que entre una longitud de rosca de 12,70 mm como mínimo dentro de los agujeros roscados de los lados de cada cojinete final. El empleo de pernos demasiado largos dañará al cabestrante e impedirá el enrollado constante del tambor. Apretar los tornillos a 75 Nm.



Después de instalar el cable, comprobar el funcionamiento de enrollado constante. Desengranar el embrague y tirar del cable a una velocidad de paso lento. Si el cable se sale, aflojar la contratuerca (elemento núm. 20) y girar el tornillo fijador de nilón (elemento núm. 17) hacia la derecha para aumentar el arrastre en el tambor. Si la tracción del cable es excesiva, aflojar el tornillo fijador de nilón girándolo hacia la izquierda. Apretar la contratuerca cuando se consiga el ajuste adecuado.

PRECAUCIÓN: SI SE APRIETA DEMASIADO LA CONTRATUERCA, EL TORNILLO FIJADOR DE NILÓN PODRÍA ROMPERSE.



MANTENIMIENTO

1. Inspeccionar el cable en busca de daños y lubricarlo con frecuencia. Si el cable se deshilacha con hilos rotos, cambiarlo inmediatamente.
2. Comprobar que el embrague esté totalmente engranado. Ver en las instrucciones de FUNCIONAMIENTO anteriores el embrague apropiado. **SOLAMENTE PARA EL EMBRAGUE MANUAL:** Desenganchar el embrague mensualmente, poner varias gotas de aceite en el eje del asa del mismo y METER y SACAR el asa del embrague varias veces para lubricar el conjunto del cambio.
3. Comprobar que el cable del tambor no se salga cuando se realice el enrollado libre. Si se sale, consultar la página 64.
4. Cambiar los manguitos del tambor y los sellos si empiezan a filtrar grasa. Consultar la sección Instrucciones de verificación en las páginas 68-70. Añadir más lubricante Mobilith SHC 007 a los engranajes y a los cojinetes del tambor si fuese necesario.

FUNCIONAMIENTO

La mejor manera de familiarizarse con el funcionamiento del cabestrante es hacer pruebas de funcionamiento antes de utilizarlo. Planee la prueba con antelación. Tenga en cuenta que el cabestrante se puede oír, al igual que se puede ver cómo funciona. Hay que acostumbrarse a reconocer los sonidos de una tracción ligera y continua, una tracción pesada, y el sonido producido por la sacudida o desplazamiento de la carga. Evitar las condiciones en las que se pueda producir la sacudida o el desplazamiento de la carga, ya que podría suponer una situación peligrosa.

El enrollado desigual del cable, mientras se está tirando de la carga, no es un problema, a menos que se produzca un apilamiento de cable en un extremo del tambor. Si esto sucede, invertir el cabestrante para aliviar la carga y alejar el punto de anclaje del centro del vehículo. Una vez acabado el trabajo, se puede desenrollar y enrollar para que el cable quede bien colocado.

Al tirar de una carga pesada, coloque una manta, chaqueta o lona sobre el cable unos dos metros detrás del gancho. En el caso de que se rompa el cable, disminuirá la velocidad del latigazo del cable y podrá evitar lesiones graves.

El embrague del cabestrante permite un desenrollado rápido del cable, desde el tambor del cable, para engancharse a una carga. La palanca del embrague o el cambio de aire accionan el embrague.

ADVERTENCIA: NO DESENGRANAR EL EMBRAGUE BAJO CARGA.

DESEMBRAGUE MANUAL (Consultar el dibujo acotado en la página 71):

PARA DESENGRANAR EL EMBRAGUE: Hacer funcionar el cabestrante en marcha atrás (desenrollar) hasta que la carga se suelte del cable. Tirar del asa hacia afuera y girarla 90°. Con el asa en la posición de "DESENGRANADO", el cable se puede desenrollar hora constantemente del tambor.

PARA ENGRANAR EL EMBRAGUE: Tirar del asa hacia afuera, girarla 90° y soltarla. Hacer funcionar el cabestrante en marcha atrás hasta que el asa encaje totalmente en la posición de "ENGRANADO". **NO** intentar tirar de una carga a menos que el asa esté en la posición "ENGRANADA" totalmente. Si la luz indicadora del embrague manual está presente, la luz verde se enciende cuando el embrague está totalmente "ENGRANADO". **NO** intentar tirar de una carga a menos que la luz verde esté encendida. Para instalar la luz en el sistema eléctrico del vehículo, consultar el Esquema eléctrico en la página 72.

DESEMBRAGUE DE CILINDRO DE AIRE (Consultar el dibujo acotado en la página 72):

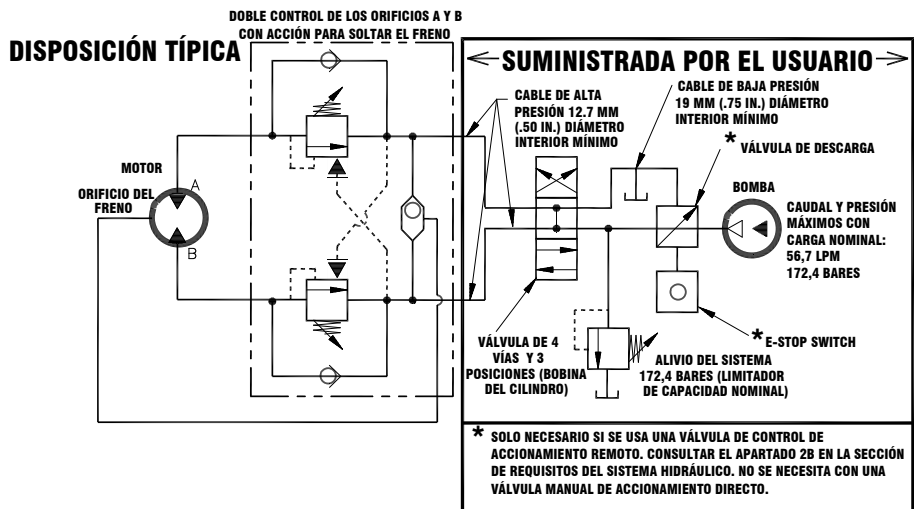
PARA DESENGRANAR EL EMBRAGUE: Hacer funcionar el cabestrante en marcha atrás (desenrollar) hasta que la carga se suelte del cable. Aplicar presión de aire al orificio 125-27 NPT: 5,5 bar (80 PSI) (mín.)- 10,3 bar (150 PSI) (máx.). **PRECAUCIÓN:** LA PRESIÓN NO DEBE SOBREPASAR LOS 10,3 BAR (150 PSI).

PARA ENGRANAR EL EMBRAGUE: Quitar la presión de aire del cilindro (un resorte de retorno engancha el pistón). Hacer funcionar el cabestrante en marcha atrás hasta que se encienda la luz indicadora de embrague engranado. Para instalar la luz en el sistema eléctrico del vehículo, consultar el Esquema eléctrico en la página 72.

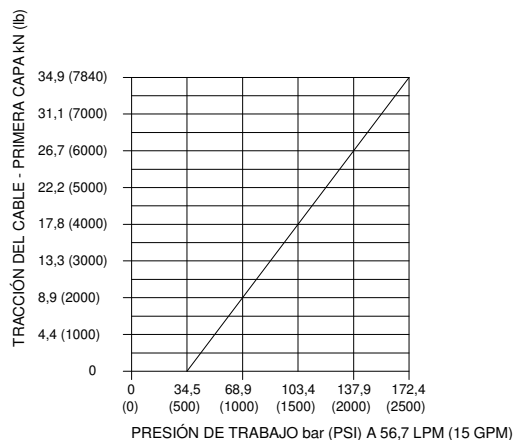
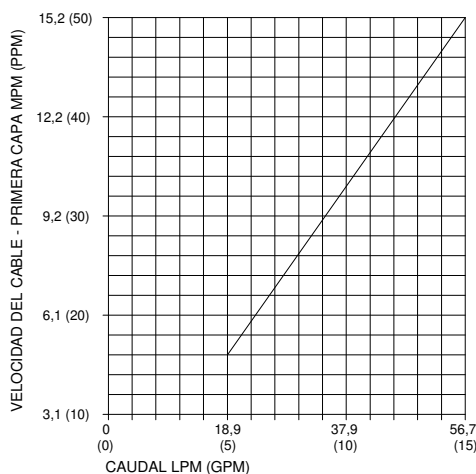
Consultar los gráficos de funcionamiento que figuran más abajo para ajustar el sistema hidráulico al funcionamiento del cabestrante. Los gráficos son los siguientes: (1) Tracción del cable de la primera capa, en kN (libras), en función de la presión de trabajo, en bares (PSI); (2) Velocidad del cable, primera capa, en MPM (PPM), en función del flujo en LPM.

REQUISITOS DEL SISTEMA HIDRÁULICO

1. Válvula de control (con ensanche en el centro) de la bobina del motor
2. Parada de emergencia:
 - A. Si el cabestrante se controla con una válvula manual de accionamiento directo, dicha válvula servirá como parada de emergencia.
 - B. Si se emplea una válvula de control de accionamiento remoto, se necesita una válvula de descarga hidráulica accionada por solenoide, normalmente abierta al tanque, y un interruptor de parada de emergencia (para abrir la válvula de descarga). El interruptor de parada de emergencia debe estar por lo general cerrado y dispone de un accionador de botón reiniciable de color rojo con el fondo amarillo. El interruptor de parada de emergencia debe estar ubicado de modo que el operador tenga fácil acceso al mismo.
3. La válvula de alivio debe estar ajustada a 172,4 bares, valor que coincide con el limitador de capacidad nominal.
4. La medida del caudal debe ser como máximo de 56,7 LPM. No se deben sobrepasar los 75,7 LPM; de lo contrario, el motor y el cabestrante podrían dañarse.
5. El fluido hidráulico debe tener una viscosidad de 20 a 43 cSt (100 a 200 SUS). La temperatura de funcionamiento máxima es de 85° C. El nivel de limpieza según la norma ISO debe ser 17-14 o mejor.



GRÁFICOS DE FUNCIONAMIENTO



BASADO EN UN MOTOR DE 254 cc (15,5 pulg.³)

GUÍA DE SOLUCIÓN DE PROBLEMAS

ESTADO	CAUSA POSIBLE	CORRECCIÓN/ACCIÓN
EL TAMBOR NO GIRA SIN CARGA	El cabestrante no está montado en ángulo recto, haciendo que los cojinetes finales se traben	Comprobar el montaje. Consultar Montaje del cabestrante en la página 64.
	Engranajes dañados	Inspeccionar y cambiar los engranajes dañados.
EL TAMBOR NO GIRA BAJO CARGA	El cabestrante no está montado en ángulo recto, haciendo que los cojinetes finales se traben	Comprobar el montaje. Consultar Montaje del cabestrante en la página 64.
	Carga mayor que la capacidad nominal del cabestrante	Consultar Especificaciones en la página 63 para ver la tracción del cable de régimen.
	Presión baja del sistema hidráulico. Comprobar la presión.	Consultar los gráficos de funcionamiento en Sistemas Hidráulicos, página 66.
EL CABESTRANTE FUNCIONA DEMASIADO LENTO	Medida del caudal baja del sistema hidráulico	Comprobar la medida del caudal. Consultar Requisitos del sistema y Disposición típica en la página 66.
	Motor desgastado	Cambiar el motor.
EL TAMBOR NO REALIZA EL ENROLLADO CONSTANTE	El embrague no se desengrana. Comprobar Ajuste del desembrague manual, página 69.	Ver Funcionamiento en la página 65.
	El cabestrante no está montado en ángulo recto, haciendo que los cojinetes finales se traben	Comprobar el montaje. Consultar Montaje del cabestrante en la página 64.
	Los pernos de montaje lateral son demasiado largos, haciendo que la corona dentada se traben (elemento núm. 15, página 74).	Comprobar la longitud del perno. La rosca del perno DEBE engancharse en los agujeros roscados a los lados del soporte final a una profundidad entre de 12,7 mm y 17,5 mm.
EL FRENO NO FRENA	Válvula de control direccional incorrecta (bobina del cilindro-centro cerrado)	Emplear solamente una válvula de control (con ensanche en el centro) de la bobina del motor.
LA CARGA SE DESPLAZA	Contrapresión excesiva 6,9 bar (100 PSI) máx.	Comprobar si existen restricciones en el sistema eléctrico. Consultar Requisitos del sistema y Disposición típica en la página 66.
EL CABLE SE SALE CUANDO SE DESENGRANA EL EMBRAGUE	Tornillo de arrastre mal ajustado	Ajustar el tornillo de llamada de nilón. Consultar Instalación del cable metálico en la página 64.
RUIDO EXCESIVO	Flujo del sistema hidráulico demasiado alto	Comprobar la medida del caudal. Consultar Disposición típica en la página 66.
	Tambor trabado, el cabestrante no está montado en ángulo recto	Comprobar el montaje. Consultar Montaje del cabestrante en la página 64.
EL TAMBOR CHIRRÍA, EN LA DIRECCIÓN DE SUBIDA DE CARGA	Medida del caudal baja del sistema hidráulico	Comprobar la medida del caudal. Consultar Disposición típica en la página 66.
	Ajuste bajo de la presión de alivio del sistema hidráulico	Comprobar el ajuste de la válvula de desahogo.
FUGAS DE ACEITE DEL AGUJERO DE VENTILACIÓN BAJO EL COJINETE FINAL DEL MOTOR	Juntas tóricas del freno, anillos de respaldo o superficies obturadoras dañados	Desmontar el freno e inspeccionarlo. Ver las Instrucciones de verificación en la página 68.

MEDIDAS CUANDO TERMINA LA VIDA ÚTIL

Cuando el cabestrante llegue al final de su vida útil, desecharlo según las normativas medioambientales locales.

INSTRUCCIONES PARA VERIFICAR LOS CABESTRANTES DE LA SERIE HD-P8000

Anotar las configuraciones de montaje para poder montar las piezas correctamente durante el remontaje. Durante el remontaje cambiar todas las empaquetaduras, juntas tóricas y sellos.

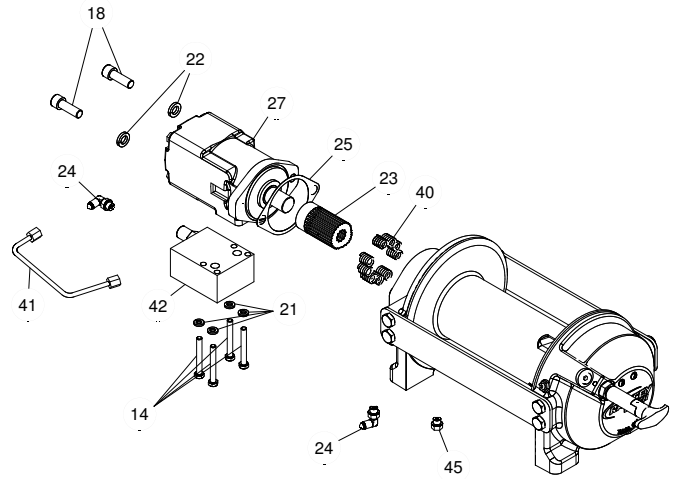
Desconectar el tubo (elemento núm. 41) de las conexiones acodadas (elementos núm. 24) en la parte inferior del cojinete final y la válvula equilibradora (elemento núm. 42). Retirar el motor (elemento núm. 27) del cojinete final desatornillando muy despacio los tornillos de casquete (elementos núm. 18). **PRECAUCIÓN: EL MOTOR SE ENCUENTRA BAJO PRESIÓN DE RESORTE.**

Inspeccionar el agujero de ventilación (elemento núm. 45). Asegurarse de que no esté atascado. Si gotea aceite por el agujero de ventilación, comprobar las juntas tóricas, los anillos de respaldo y las superficies sellantes del freno (ver la página 70).

Retirar los muelles (elementos núm. 40) de los receptáculos e inspeccionarlos por si están dañados.

Cambiar la empaquetadura (elemento núm. 25).

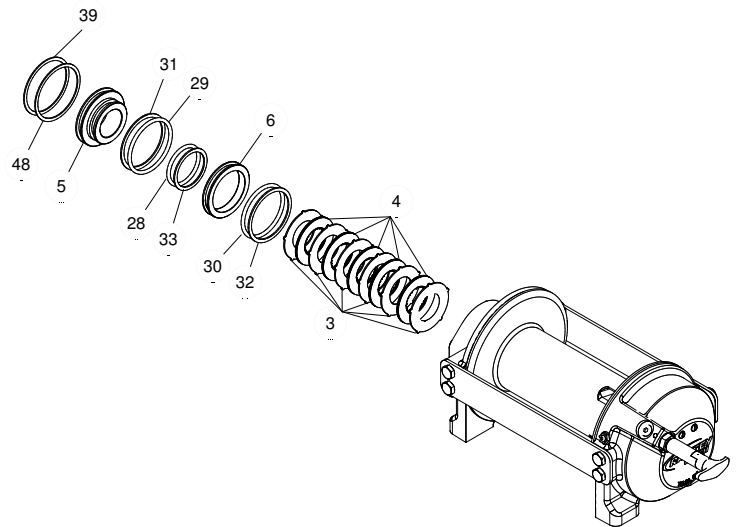
Retirar el acoplamiento (elemento núm. 23) del cojinete final. Examinar el acoplamiento por si presenta señales de desgaste, cambiarlo si fuese necesario. Si fuese necesario, retirar la válvula equilibradora del motor quitando los tornillos de casquete (elementos núm. 14).



Retirar los anillos de retención (elementos núm. 39 y 48) con un estornillador.

Retirar las piezas del freno del cojinete final. ANOTAR LA POSICIÓN DE LAS JUNTAS TÓRICAS Y DE LOS ANILLOS DE RESPALDO ANTES DE RETIRARLOS. Examinar los discos del freno (elementos núm. 4) y los estatores (elemento núm. 3) por si presentan señales de desgaste y, reemplazarlos si fuese necesario.

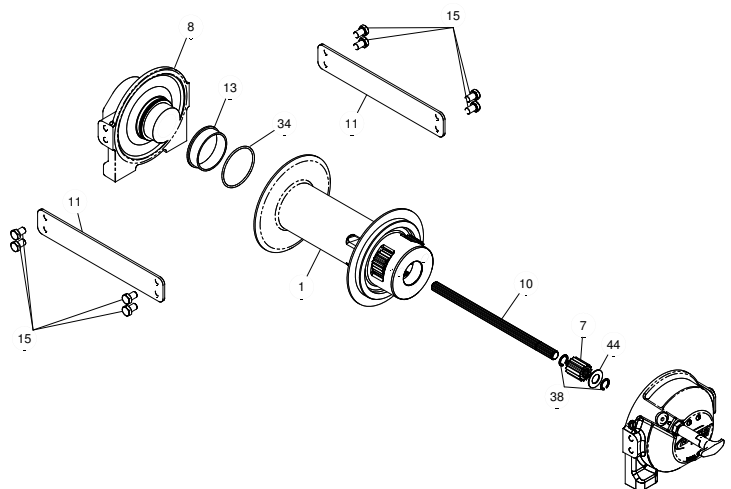
Examinar las juntas tóricas (elementos núm. 28 y 29) y los anillos de respaldo (elementos núm. 31 y 33) en el pistón del freno (elemento núm. 5), así como la junta tórica (elemento núm. 30) y el anillo de respaldo (elemento núm. 32) en el pistón del freno de respaldo (elemento núm. 6) por si presentan señales de desgaste. Retirar las juntas tóricas y los anillos de respaldo de las ranuras del pistón del freno y del pistón del freno de respaldo y, si fuese necesario, cambiarlos.



Retirar las placas de anclaje (elementos núm. 11) de los cojinetes finales desatornillando los tornillos de casquete (elementos núm. 15).

Deslizar el cojinete final del motor (elemento núm. 8) y el tambor (elemento núm. 1) fuera del cojinete final de la caja de engranajes.

Retirar el eje de entrada (elemento núm. 10) del cojinete final. Inspeccionar el eje y el engranaje planetario de salida (elemento núm. 7) por si presentan daños y cambiarlos si fuese necesario. Para retirar el engranaje planetario de salida, sacar los anillos de sujeción (elementos núm. 38) y la arandela de empuje (elemento núm. 44) y tirar del extremo del eje.

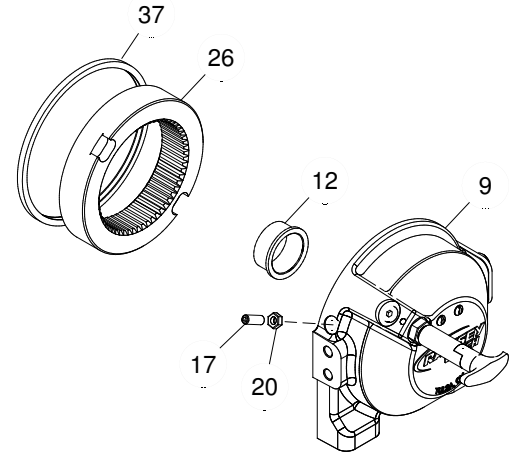


Retirar el manguito (elemento núm. 13) y la junta tórica (elemento núm. 34) del cojinete final del motor. Poner una junta tórica nueva y bien engrasada en la ranura dentro del cojinete final y empujar un manguito nuevo sobre el cojinete final.

Retirar el sello (elemento núm. 37) del cojinete final (elemento núm. 9) de la caja de engranajes. Aflojar la tuerca (elemento núm. 20) y retirar el tornillo fijador de nilón (elemento núm. 17).

Si fuese necesario, retirar la corona dentada del cojinete final de la caja de engranajes. Retirar el manguito (elemento núm. 12) del cojinete final.

Empujar el manguito nuevo dentro del cojinete final. Instalar la corona dentada y luego el tornillo fijador de nilón y la tuerca. La corona dentada debe estar totalmente asentada en el cojinete final y la ranura de ésta NO DEBE estar alineada con el agujero del cambio del embrague. Instalar un sello nuevo en el cojinete final, con el lado afilado del sello hacia fuera.



Aplicar grasa abundante (MOBILITH SHC 007) en los dientes de la corona dentada (elemento núm. 26), dientes de los engranajes planetarios del tambor (elemento núm. 1) y, en el manguito (elemento núm. 12) del cojinete final de la caja de engranajes. Aplicar una pequeña cantidad de grasa en la base del manguito (elemento núm. 13) del cojinete final del motor. Aplicar grasa en los dientes del engranaje planetario de salida (elemento núm. 7) y en el eje de entrada (elemento núm. 10).

Poner el extremo del eje sin engranaje planetario de salida dentro del tambor (elemento núm. 2). Girar el eje para enganchar los engranajes planetarios con el engranaje planetario de salida. Colocar el cojinete final de engranaje en la caja y enganchar los engranajes planetarios a la corona dentada.

Montar el cojinete final del motor (elemento núm. 8) en el conjunto del tambor y usar placas de anclaje (elementos núm. 11) y tornillos de casquete (elementos núm. 15) para sujetar ambos cojinetes finales juntos. Apretar los tornillos a 75 Nm.

Si fuese necesario, retirar el conjunto del cambio y cambiarlo (manual, elemento núm. 2, o de cilindro de aire, número 3), de la siguiente manera :

CONJUNTO DEL DESEMBRAGUE MANUAL

Aflojar el tornillo de casquete (elemento núm. 19) y la contratuerca, luego desatornillar el conjunto del cambio (elemento núm. 2). Asegurarse de que la ranura de la corona dentada no esté alineada con el agujero del cambio del embrague. Si fuese necesario, girar el tambor para garantizar que el agujero y la ranura no estén alineados.

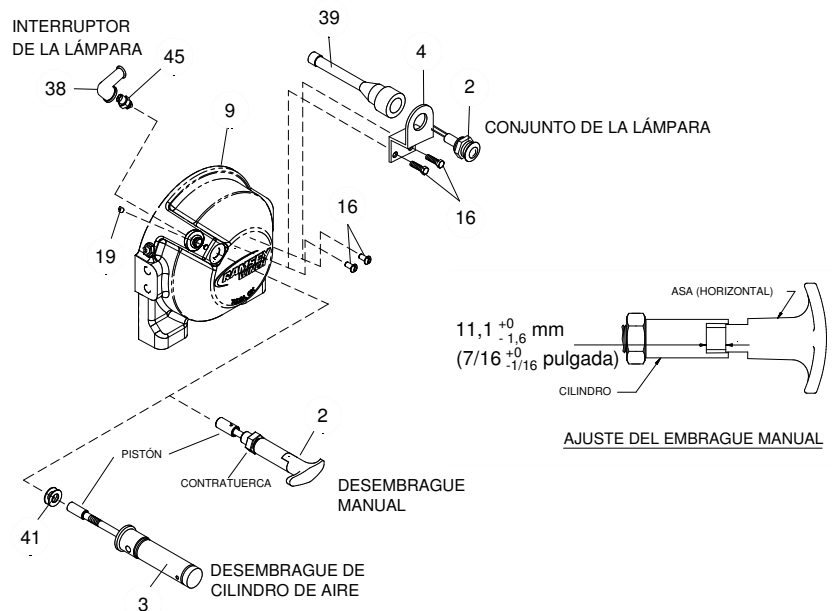
Volver a colocar el conjunto del cambio con el pistón, la contratuerca y el asa colocados en la caja de engranajes tal como se indica a continuación. Enroskar el conjunto (con el asa enganchada en la ranura del cilindro) en la caja de engranajes. Tirar del tambor hacia el cojinete final de la caja de engranajes para quitar el huelgo. Sujetar el tambor en su sitio y continuar enroscando el conjunto del cambio hasta que el espacio entre el extremo del asa y el cilindro sea de 11,1 mm \pm 1,6 mm y el asa esté en la posición horizontal (ver a continuación). **Nota:** Este espacio variará con el huelgo longitudinal del tambor. Con el tambor empujado contra el extremo de la caja del motor, el espacio deberá ser de 9,5 cm.

Apretar la contratuerca firmemente. Girar el tambor hasta que el asa se enganche totalmente en la posición engranada. Tirar del asa hacia afuera y girarla 90°. Verificar que el tambor pueda girar libremente (al menos una vuelta entera) con el cambio del embrague en la posición DESENGRANADA. Apretar firmemente la contratuerca mientras se sujeta el asa. Apretar el tornillo fijador (elemento núm. 19) firmemente. Volver a comprobar el funcionamiento del embrague tal como se indica en la página 65.

CONJUNTO DEL CAMBIO DE CILINDRO DE AIRE

Aflojar el tornillo fijador (elemento núm. 19) para retirar el conjunto del cambio (elemento núm. 3). Para volver a instalarlo, colocar 1 ó 2 anillos de ajuste (elementos núm. 41) sobre el pistón y enroscar el conjunto del cambio en el extremo de la caja de engranajes. Añadir o quitar los anillos de ajuste para orientar los orificios para las conexiones neumáticas. Los orificios deben estar hacia abajo (por debajo de la horizontal). Apretar el tornillo fijador. Comprobar el funcionamiento del embrague tal como se indica en la página 65.

Si hay que cambiar el conjunto de la lámpara (elemento núm. 2) o el interruptor de la lámpara (elemento núm. 45), consultar el esquema de la página 72 para ver las conexiones eléctricas y el desmontaje y remontaje tal como se indica a continuación.



Poner el cabestrante con el extremo de la caja de engranajes sobre el banco de trabajo.

Instalar juntas tóricas y anillos de respaldo bien engrasados en las ranuras del exterior del pistón del freno y del pistón de respaldo del freno tal como se indica en la sección transversal A-A a continuación.

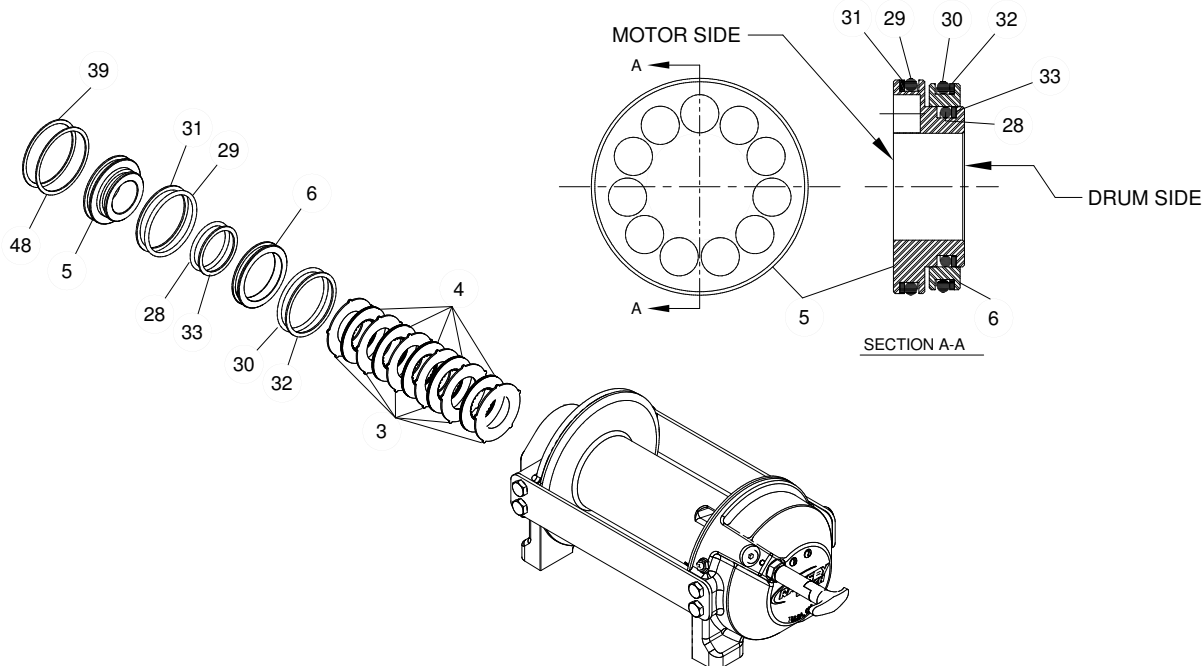
El pistón, el pistón de respaldo, los discos del freno y los estatores deben estar limpios y sin grasa ni aceite.

Insertar los discos del freno (elemento núm. 4) y los estatores (elemento núm. 3) en el extremo del engranaje alternado con los estatores en primer y último lugar.

Insertar el pistón del freno de respaldo (elemento núm. 6) dentro del extremo del motor e insertar el pistón del freno (elemento núm. 5) dentro.

Aplicar una presión uniforme sobre el pistón cuando se esté instalando.

Instalar los restantes anillos (elemento núm. 39 y 48) en las ranuras de la caja del extremo del motor.



Insertar los muelles (elemento núm. 40) en los receptáculos del pistón del freno.

Los dos receptáculos vacíos deben estar en lados opuestos.

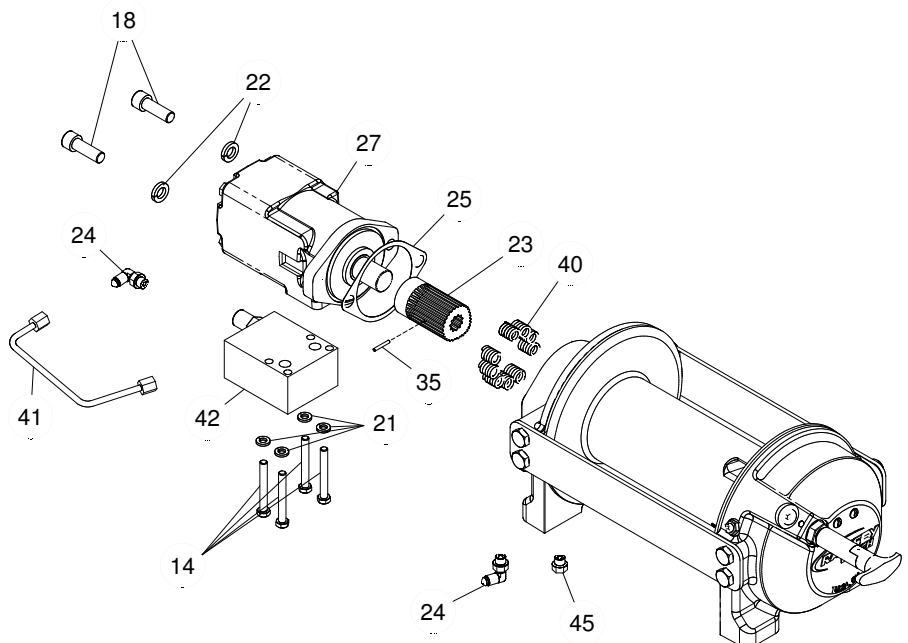
Instalar el pivote de rodillo (elemento núm. 35) en el acoplamiento nuevo del motor por debajo de la parte inferior de los dientes de ranuras. Insertar el acoplamiento del motor (elemento núm. 23), engancharlo con los discos y el eje de entrada.

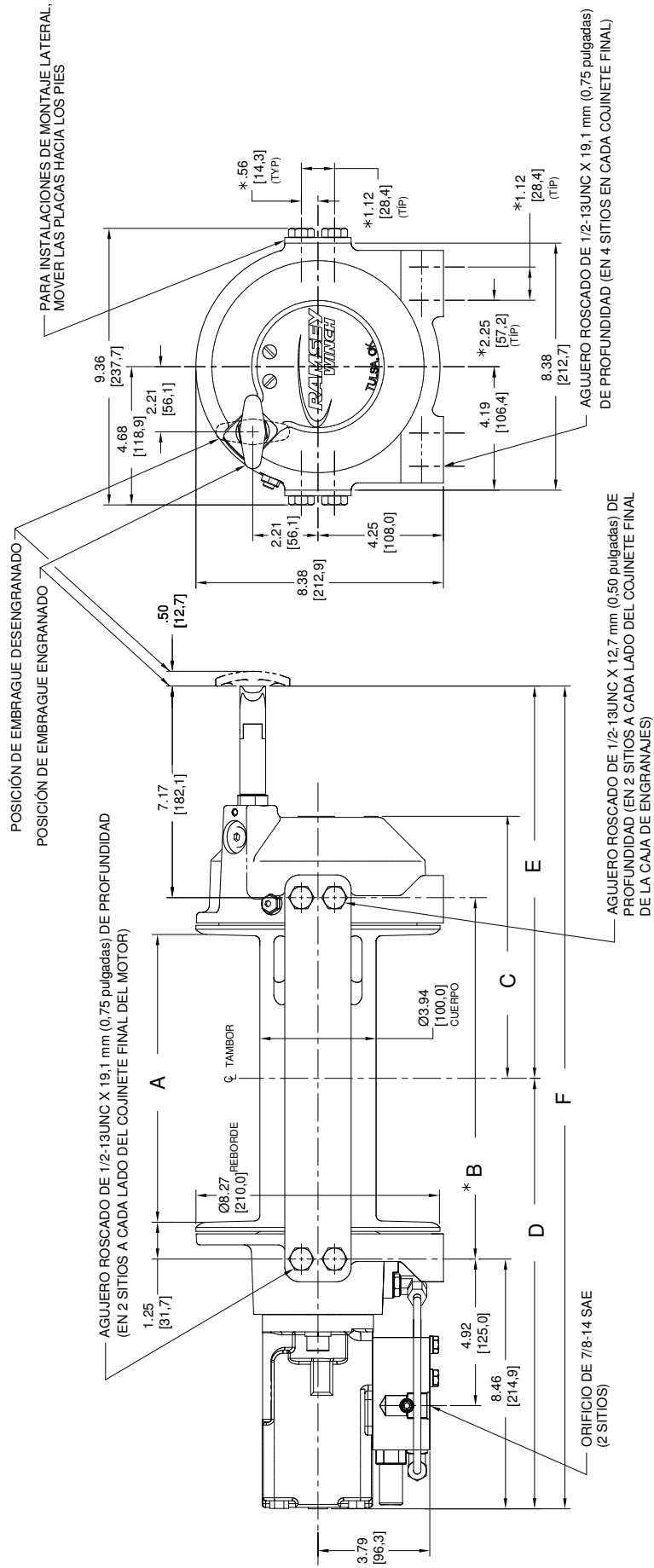
Poner la empaquetadura (elemento núm. 25) sobre la superficie de montaje del motor (elemento núm. 27). Deslizar el eje del motor dentro del acoplamiento. Acoplar el motor a la caja del cojinete final del motor empleando los (2) tornillos de casquete (elemento núm. 18) y (2) arandelas de seguridad (elemento núm. 22). Apretar los tornillos uniformemente a un par de torsión de 66 Nm.

Instalar la válvula equilibradora (elemento núm. 42) en el motor empleando (4) tornillos de casquete (elemento núm. 14) y (4) arandelas de seguridad (elemento núm. 21). Apretarlos a 23 Nm (17 ft-lb).

Conectar las conexiones (elemento núm. 24) firmemente al extremo de la caja del motor y la válvula equilibradora y, conectar el conjunto del tubo (elemento núm. 41) a las mismas.

Aplicar una presión del sistema hidráulico al freno de por lo menos 37,9 bar (550 PSI) y verificar que el freno se suelte (el tambor del cabestrante girará).



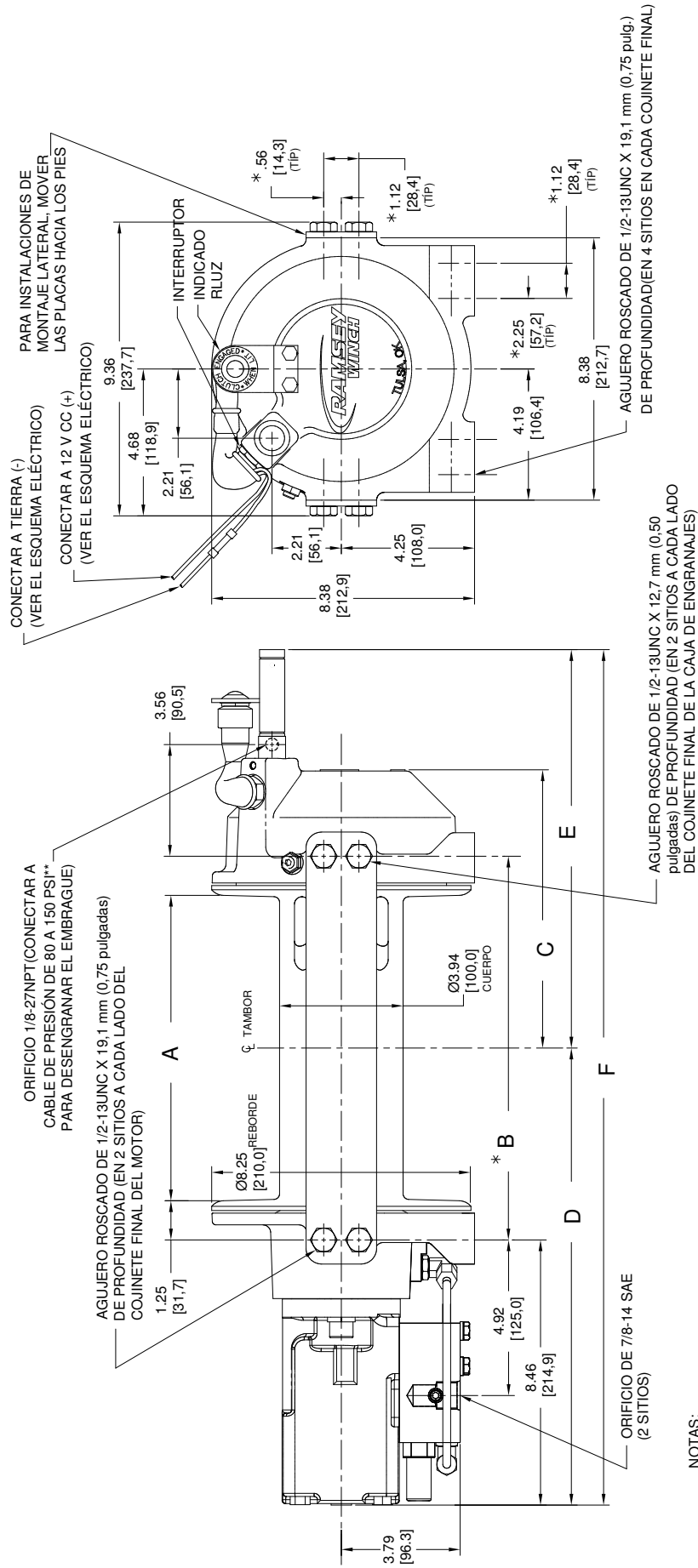


NOTAS:

1. LAS DIMENSIONES SE INDICAN EN PULGADAS SOBRE MILÍMETROS
2. LOS TORNILLOS DE CASQUETE DE MONTAJE DEL CABESTRANTE DEBEN CUMPLIR CON LAS ESPECIFICACIONES SAE CLASE 5 O SUPERARLAS
- * 3. ESTAS UBICACIONES DE LOS AGUJEROS DEBEN MANTENERSE A ± 0,8 MM DE LA POSICIÓN CORRECTA. EL DIÁMETRO RECOMENDADO DEL AGUJERO DE MONTAJE ES DE 13,5 MM.
4. DIRECCIÓN DE ROTACIÓN "A".

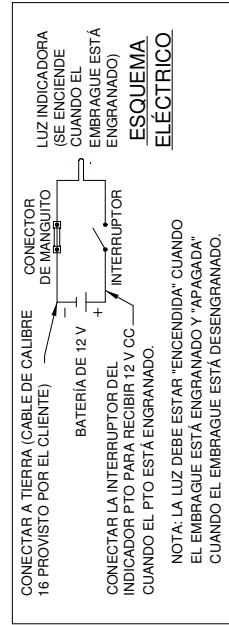
MODELO DE CABESTRANTE	A	B	C	D	E	F
	in	in	in	in	in	in
	mm	mm	mm	mm	mm	mm
TAMBOR HD-P	9,75	12,25	8,87	14,60	13,28	27,89
34,9 ESTÁNDAR	247,7	311,2	225,3	370,9	337,4	708,3
TAMBOR HD-P 34,9 "y"	6,50	9,00	7,24	12,98	11,66	24,64
	165,1	228,6	184,0	329,6	296,2	625,8

HD-P 34,9 CON CAMBIO MANUAL



NOTAS:

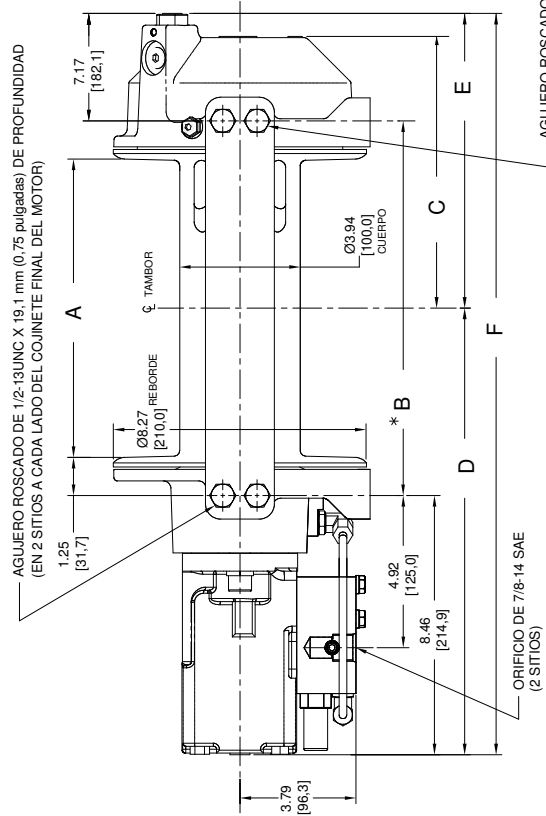
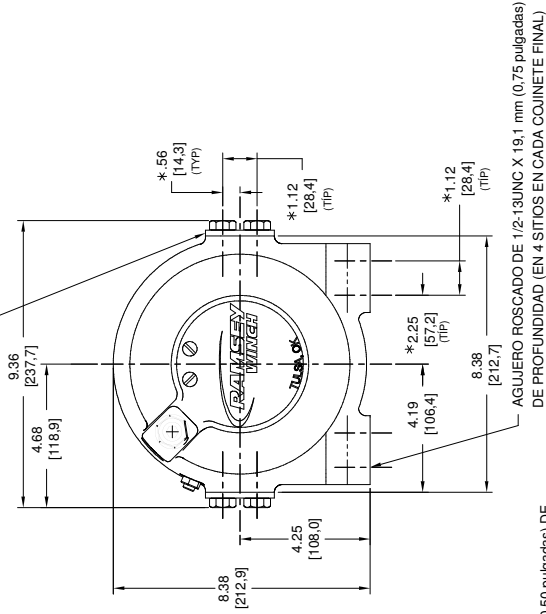
1. LAS DIMENSIONES SE INDICAN EN PULGADAS SOBRE MILÍMETROS
2. LOS TORNILLOS DE CASQUETE DE MONTAJE DEL CABESTRANTE DEBEN CUMPLIR CON LAS ESPECIFICACIONES SAE CLASE 5 O SUPERARLAS
- * 3. ESTAS UBICACIONES DE LOS AGUJEROS DEBEN MANTENERSE A ± 0,8 MM DE LA POSICIÓN CORRECTA. EL DIÁMETRO RECOMENDADO DEL AGUJERO DE MONTAJE ES DE 13,5 MM.
- ** 4. PRECAUCIÓN: LA PRESIÓN NO DEBE SOBREPASAR LOS 150 PSI.
5. DIRECCIÓN DE ROTACIÓN "A".



MODELO DE CABESTRANTE	A	B	C	D	E	F
	in	in	in	in	in	in
	mm	mm	mm	mm	mm	mm
TAMBOR HD-P	9.75	12.25	8.87	14.60	12.72	27.31
34,9 ESTÁNDAR	247,7	311,2	225,3	370,9	323,1	693,7
TAMBOR HD-P 34,9 "y"	6,50	9,00	7,24	12,98	9,47	24,06
	165,1	228,6	184,0	329,6	240,6	611,1

HD-P 34,9 CON CAMBIO NEUMÁTICO

PARA INSTALACIONES DE MONTAJE LATERAL,
MOVER LAS PLACAS HACIA LOS PIES



AGUJERO ROSCADO DE 1/2-13UNC X 12.7 mm (0.50 pulgadas) DE PROFUNDIDAD (EN 2 SITIOS A CADA LADO DEL COUINETE FINAL DE LA CAJA DE ENGRANAJES)

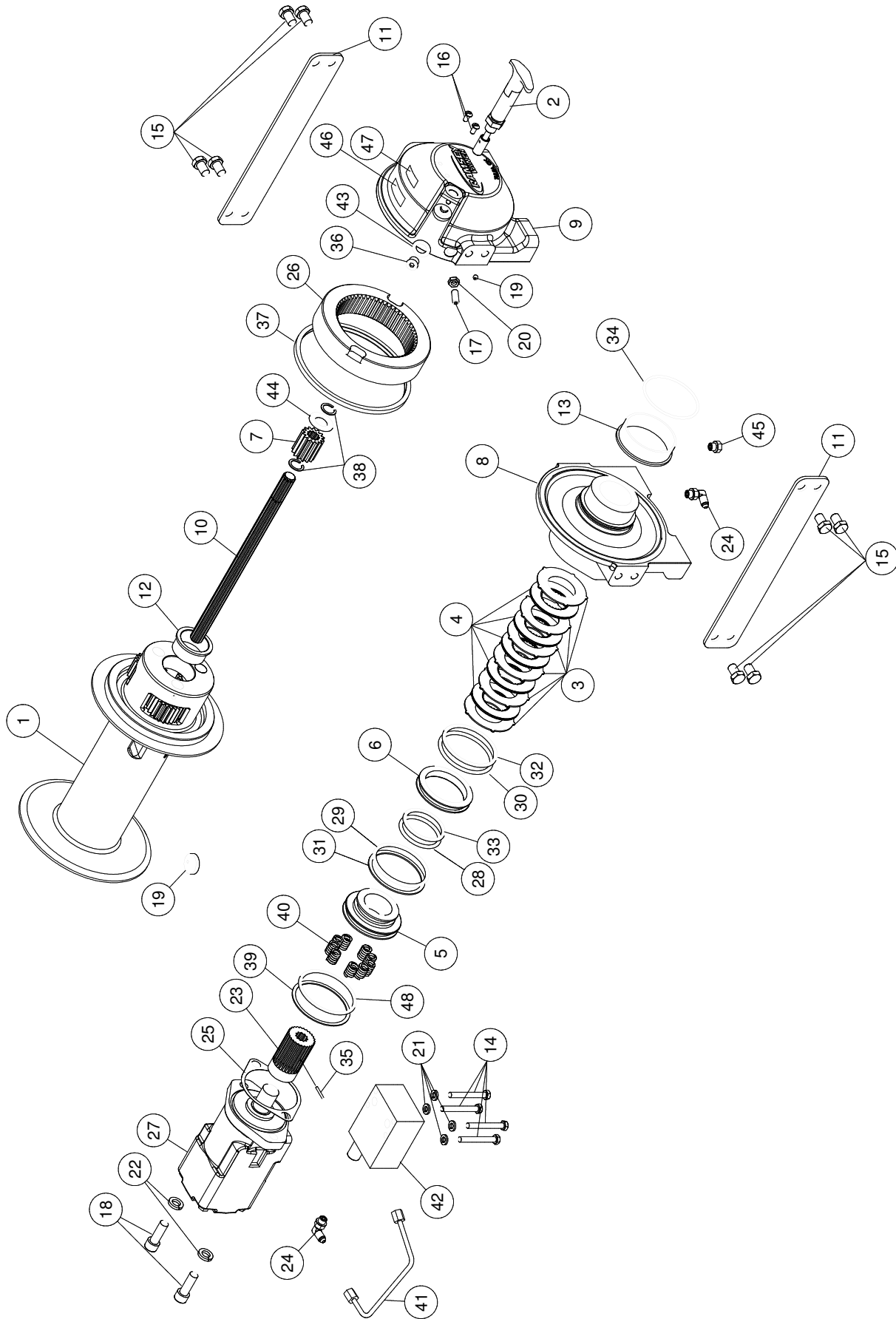
AGUJERO ROSCADO DE 1/2-13UNC X 19.1 mm (0.75 pulgadas) DE PROFUNDIDAD (EN 4 SITIOS EN CADA COUINETE FINAL)

NOTAS:

1. LAS DIMENSIONES SE INDICAN EN PULGADAS SOBRE MILIMETROS
2. LOS TORNILLOS DE CASQUETE DE MONTAJE DEL CABESTRANTE DEBEN CUMPLIR CON LAS ESPECIFICACIONES SAE CLASE 5 O SUPERARLAS
- * 3. ESTAS UBICACIONES DE LOS AGUJEROS DEBEN MANTENERSE A ± 0.8 MM DE LA POSICIÓN CORRECTA. EL DIÁMETRO RECOMENDADO DEL AGUJERO DE MONTAJE ES DE 13.5 MM.
4. DIRECCIÓN DE ROTACIÓN "A".

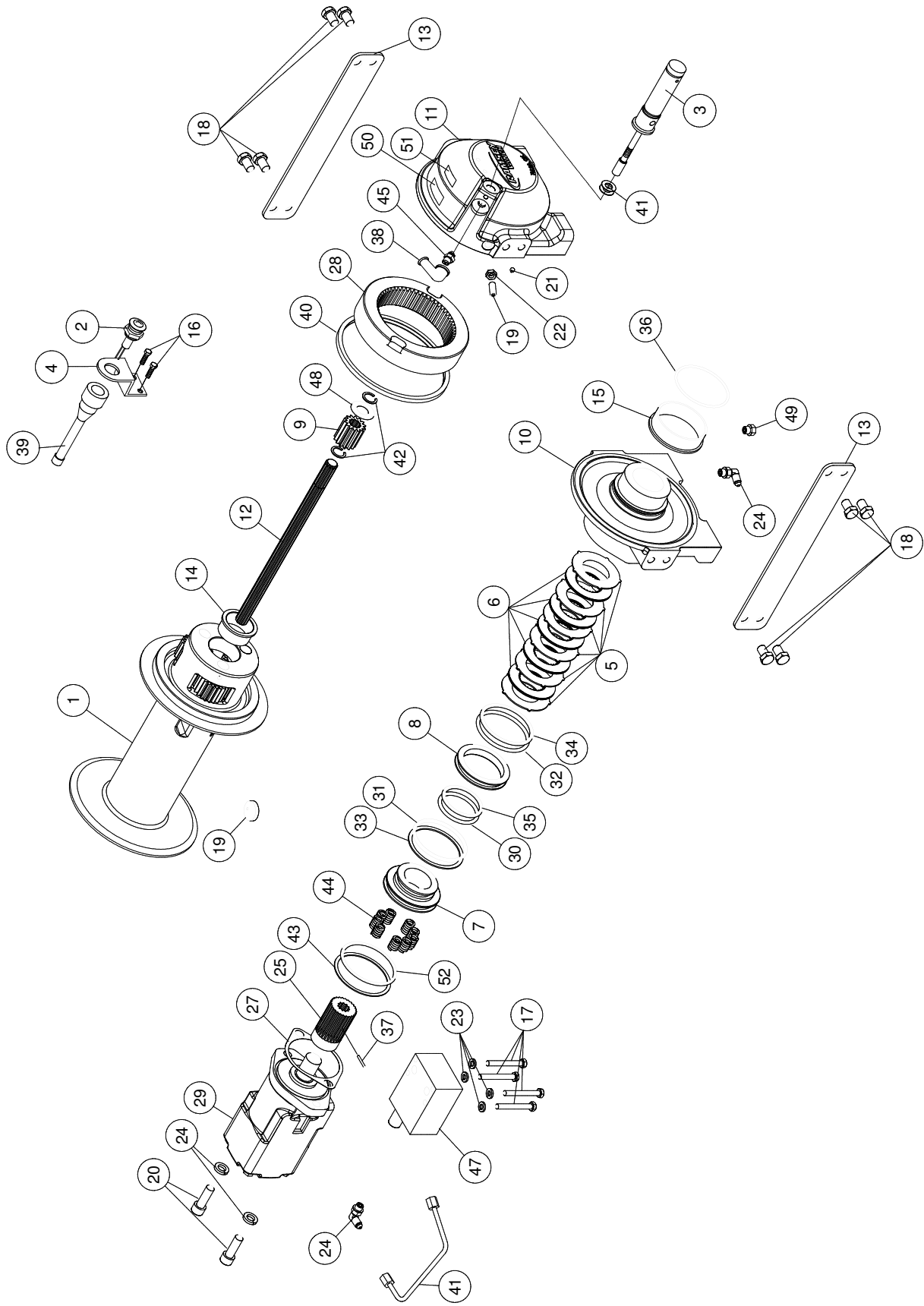
MODELO DE CABESTRANTE	A	B	C	D	E	F
	in	in	in	in	in	in
TAMBORES HD-P	9.75	12.25	8.87	14.60	9.62	24.22
34.9 ESTÁNDAR	247.7	311.2	225.3	370.9	244.3	615.2
TAMBORES HD-P 34.9 "Y"	6.50	9.00	7.24	12.98	8.00	20.97
	165.1	228.6	184.0	329.6	203.2	532.6

HD-P 34,9 CON EMBRAGUE BLOQUEADO



LISTA DE PIEZAS DEL HD-P 34,9 CON CAMBIO MANUAL

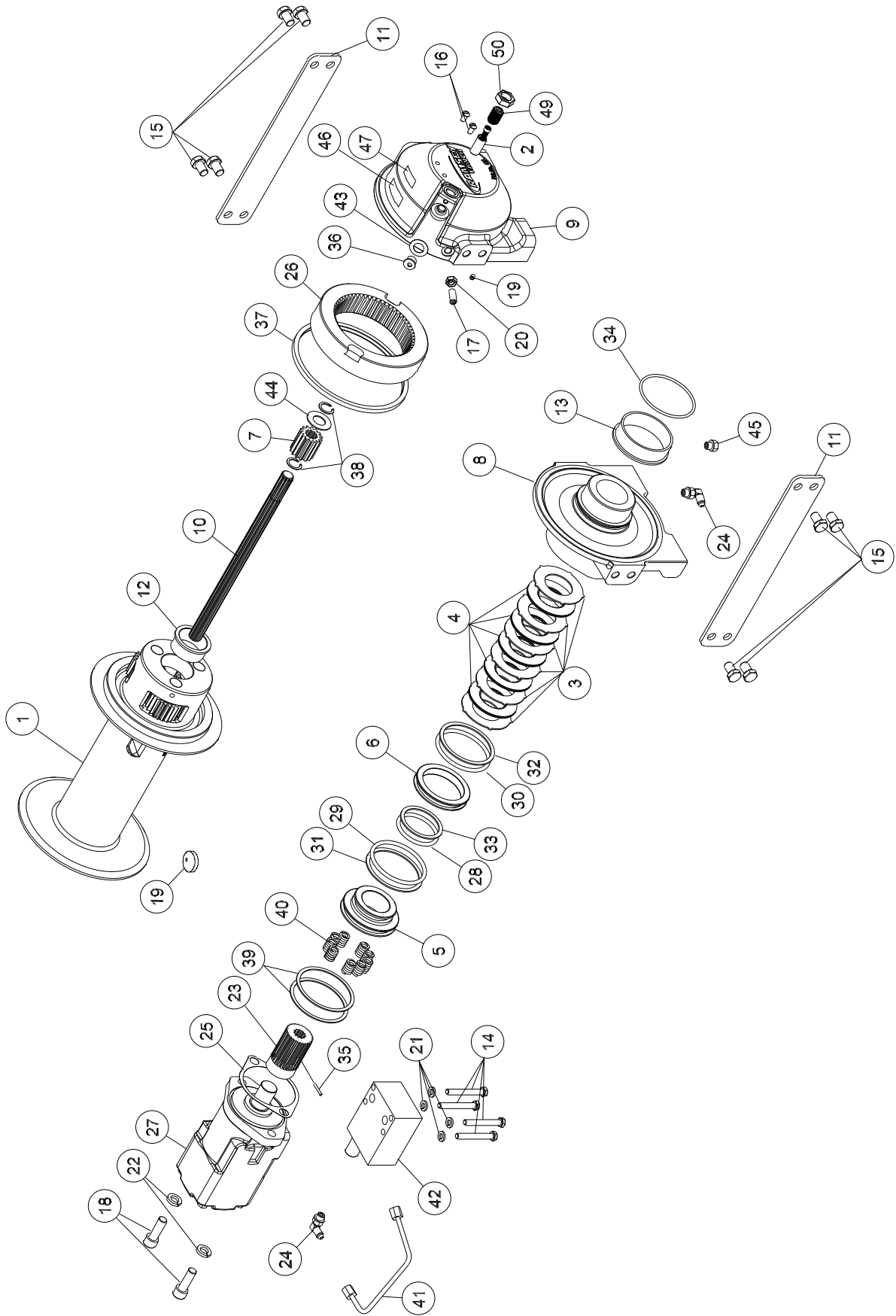
Elemento número.	Cantidad	Pieza número.	Descripción
1	1	234224	CONJUNTO DEL TAMBOR ESTÁNDAR
	1	234234	CONJUNTO DEL TAMBOR "Y"
2	1	276048	CONJUNTO DEL DESEMBRAGUE
3	6	330011	ESTATOR-FRENO
4	5	330012	DISCO DEL FRENO
5	1	330013	PISTÓN DEL FRENO
6	1	330014	PISTÓN DEL FRENO DE RESPALDO
7	1	334174	ENGRANAJE PLANETARIO DE SALIDA
8	1	338358	COJINETE FINAL DEL MOTOR
9	1	338359	COJINETE FINAL DE LA CAJA DE ENGRANAJES
10	1	357177	EJE DE ENTRADA DEL TAMBOR ESTÁNDAR
	1	357176	EJE DE ENTRADA DEL TAMBOR "Y"
11	2	395427	PLACAS DE ANCLAJE DEL TAMBOR ESTÁNDAR
	2	395426	PLACAS DE ANCLAJE DEL TAMBOR "Y"
12	1	412085	MANGUITO DEL TAMBOR
13	1	412109	MANGUITO DEL TAMBOR, EXTREMO DEL MOTOR
14	4	414159	TORNILLO DE CASQUETE - 5/16-18UNC X 2 1/2", CABEZA HEXAGONAL, ZINC, CLASE 5
	4	414147	TORNILLO DE CASQUETE - 5/16-18UNC X 3 1/2", CABEZA HEXAGONAL, ZINC, CLASE 5 (ORIFICIOS LATERALES)
15	8	414581	TORNILLO DE CASQUETE - 1/2-13NC X 3/4", CABEZA HEXAGONAL, ZINC, CLASE 5
16	2	414854	TORNILLO - 1/4-20NC X 1/2", CABEZA REDONDA, RANURADO, ZINC
17	1	414926	TORNILLO FIJADOR - 3/8-16NC X 1 pulg., CABEZA HUECA, NILÓN
18	2	414952	TORNILLO DE CASQUETE - 1/2- 13NC X 1 1/2", CABEZA HUECA, ZINC, RETENEDOR DE CABLE
19	1	315008	RETENEDOR DE CABLE
20	1	418036	CONTRATUERCA - 3/8 - 16 NC, HEXAGONAL, ZINC
21	4	418163	ARANDELA DE SEGURIDAD - 5/16 MED SECT, ZINC
22	2	418218	ARANDELA DE SEGURIDAD - 1/2 D.I. MED SECT, ZINC
23	1	431019	ACOPLAMIENTO DEL MOTOR
24	2	432018	CONEXIÓN
25	1	442223	EMPAQUETADURA DEL REBORDE DEL MOTOR
26	1	444084	ANILLO DEL ENGRANAJE
27	1	458074	MOTOR HIDRÁULICO
28	1	462067	JUNTA TÓRICA DEL PISTÓN - PEQUEÑA
29	1	462068	JUNTA TÓRICA DEL PISTÓN - GRANDE
30	1	462069	JUNTA TÓRICA DEL PISTÓN DE RESPALDO - GRANDE
31	1	462070	ANILLO DEL PISTÓN DE RESPALDO - GRANDE
32	1	462071	ANILLO DEL PISTÓN DE RESPALDO
33	1	462072	ANILLO DEL PISTÓN DE RESPALDO - PEQUEÑA
34	1	462073	JUNTA TÓRICA
35	1	470033	VÁSTAGO EN ESPIRAL
36	1	472052	TAPÓN
37	1	486080	SELLO
38	2	490003	ANILLO SUJETADOR
39	1	490049	ANILLO DE RETENCIÓN INTERNA
40	9	494124	MUELLE DEL FRENO
41	1	509132	TUBO DE LIBERACIÓN DEL FRENO (ORIFICIOS HACIA ABAJO)
	1	509131	TUBO DE LIBERACIÓN DEL FRENO (ORIFICIOS HACIA ARRIBA)
	1	509133	TUBO DE LIBERACIÓN DEL FRENO (ORIFICIOS LATERALES)
42	1	516051	VÁLVULA DE CONTROL DEL MOTOR (ROTACIÓN A)
	1	516052	VÁLVULA DE CONTROL DEL MOTOR (ROTACIÓN B)
	1	516053	VÁLVULA DE CONTROL DEL MOTOR (ROTACIÓN A/ORIFICIOS LATERALES)
43	1	518037	ARANDELA DE EMPUJE
44	1	518047	ARANDELA DE EMPUJE
45	1	456038	AGUJERO DE VENTILACIÓN
46	1	434569	PLACA DE IDENTIFICACIÓN
47	1	434235	PLACA - ROTACIÓN A
	1	434236	PLACA - ROTACIÓN B
48	1	490066	ANILLO DE RETENCIÓN INTERNA



HD-P 34,9 CON CAMBIO NEUMÁTICO

LISTA DE PIEZAS DEL HD-P 34,9 CON CAMBIO NEUMÁTICO

Elemento núm.	Cantidad	Pieza núm.	Descripción
1	1	234224	CONJUNTO DEL TAMBOR ESTÁNDAR
	1	234228	CONJUNTO DEL TAMBOR "Y"
2	1	236020	CONJUNTO DE LA LÁMPARA
3	1	276058	CONJUNTO DEL DESEMBRAGUE
4	1	312529	SOPORTE - CONJUNTO DE LA LÁMPARA
5	6	330011	ESTATOR-FRENO
6	5	330012	DISCO DEL FRENO
7	1	330013	PISTÓN DEL FRENO
8	1	330014	PISTÓN DEL FRENO DE RESPALDO
9	1	334174	ENGRANAJE PLANETARIO DE SALIDA
10	1	338358	COJINETE FINAL DEL MOTOR
11	1	338359	COJINETE FINAL DE LA CAJA DE ENGRANAJES
12	1	357177	EJE DE ENTRADA DEL TAMBOR ESTÁNDAR
	1	357176	EJE DE ENTRADA DEL TAMBOR "Y"
13	2	395427	PLACAS DE ANCLAJE DEL TAMBOR ESTÁNDAR
	2	395426	PLACAS DE ANCLAJE DEL TAMBOR "Y"
14	1	412085	MANGUITO DEL TAMBOR
15	1	412109	MANGUITO DEL TAMBOR, EXTREMO DEL MOTOR
16	2	414036	TORNILLO DE CASQUETE - 1/4-20NC X 1/2", CABEZA HEXAGONAL, ZINC
17	4	414159	TORNILLO DE CASQUETE - 5/16-18UNC X 2 1/2", CABEZA HEXAGONAL, ZINC, CLASE 5
	4	414147	TORNILLO DE CASQUETE - 5/16-18UNC X 3 1/2", CABEZA HEXAGONAL, ZINC, CLASE 5 (ORIFICIOS LATERALES)
18	8	414581	TORNILLO DE CASQUETE - 1/2-13NC X 3/4", CABEZA HEXAGONAL, ZINC, CLASE 5
19	1	315008	RETENEDOR DE CABLE
20	2	414952	TORNILLO DE CASQUETE - 1/2- 13NC X 1 1/2", CABEZA HUECA, ZINC
21	1	416016	TORNILLO FIJADOR - 1/4-20NC X 1/4", CABEZA CÓNCAVA HEXAGONAL HUECA
22	1	418036	CONTRATUERCA - 3/8 - 16 NC, HEXAGONAL, ZINC
23	4	418163	ARANDELA DE SEGURIDAD - 5/16 MED SECT, ZINC
24	2	418218	ARANDELA DE SEGURIDAD - 1/2 D.I. MED SECT, ZINC
25	1	431019	ACOPLAMIENTO DEL MOTOR
26	2	432018	CONEXIÓN
27	1	442223	EMPAQUETADURA DEL REBORDE DEL MOTOR
28	1	444084	ANILLO DEL ENGRANAJE
29	1	458074	MOTOR HIDRÁULICO
30	1	462067	JUNTA TÓRICA DEL PISTÓN - PEQUEÑA
31	1	462068	JUNTA TÓRICA DEL PISTÓN - GRANDE
32	1	462069	JUNTA TÓRICA DEL PISTÓN DE RESPALDO
33	1	462070	ANILLO DEL PISTÓN DE RESPALDO - GRANDE
34	1	462071	ANILLO DEL PISTÓN DE RESPALDO
35	1	462072	ANILLO DEL PISTÓN DE RESPALDO - PEQUEÑA
36	1	462073	JUNTA TÓRICA
37	1	470033	VÁSTAGO EN ESPIRAL
38	1	482013	MANGUITO DE CAUCHO
39	1	482045	MANGUITO DE CAUCHO
40	1	486080	SELLO
41	2	488007	ANILLO DE AJUSTE
42	2	490003	ANILLO SUJETADOR
43	1	490049	ANILLO DE RETENCIÓN INTERNA
44	9	494124	MUELLE DEL FRENO
45	1	504021	INTERRUPTOR
46	1	509132	TUBO DE LIBERACIÓN DEL FRENO (ORIFICIOS HACIA ABAJO)
	1	509131	TUBO DE LIBERACIÓN DEL FRENO (ORIFICIOS HACIA ARRIBA)
	1	509133	TUBO DE LIBERACIÓN DEL FRENO (ORIFICIOS LATERALES)
47	1	516051	VÁLVULA DE CONTROL DEL MOTOR (ROTACIÓN A)
	1	516052	VÁLVULA DE CONTROL DEL MOTOR (ROTACIÓN B)
	1	516053	VÁLVULA DE CONTROL DEL MOTOR (ROTACIÓN A/ORIFICIOS LATERALES)
48	1	518047	ARANDELA DE EMPUJE
49	1	456038	AGUJERO DE VENTILACIÓN
50	1	434569	PLACA DE IDENTIFICACIÓN
51	1	434235	PLACA - ROTACIÓN A
	1	434236	PLACA - ROTACIÓN B
52	1	490066	ANILLO DE RETENCIÓN INTERNA



HD-P 34,9 EMBRAGUE BLOQUEADO

LISTA DE PIEZAS DEL HD-P 34,9 CON EMBRAGUE BLOQUEADO

Elemento número.	Cantidad	Pieza número.	Descripción
1	1	234224	CONJUNTO DEL TAMBOR ESTÁNDAR
		234228	CONJUNTO DEL TAMBOR "Y"
2	1	299693	CONJUNTO DEL ÉMBOLO
3	6	330011	ESTATOR-FRENO
4	5	330012	DISCO DEL FRENO
5	1	330013	PISTÓN DEL FRENO
6	1	330014	PISTÓN DEL FRENO DE RESPALDO
7	1	334174	ENGRANAJE PLANETARIO DE SALIDA
8	1	338358	COJINETE FINAL DEL MOTOR
9	1	338359	COJINETE FINAL DE LA CAJA DE ENGRANAJES
10	1	357177	EJE DE ENTRADA DEL TAMBOR ESTÁNDAR
		357176	EJE DE ENTRADA DEL TAMBOR "Y"
11	2	395427	PLACAS DE ANCLAJE DEL TAMBOR ESTÁNDAR
		395426	PLACAS DE ANCLAJE DEL TAMBOR "Y"
12	1	412085	MANGUITO DEL TAMBOR
13	1	412109	MANGUITO DEL TAMBOR, EXTREMO DEL MOTOR
14	4	414159	TORNILLO DE CASQUETE - 5/16-18UNC X 2 1/2", CABEZA HEXAGONAL, ZINC, CLASE 5
		414147	TORNILLO DE CASQUETE - 5/16-18UNC X 3 1/2", CABEZA HEXAGONAL, ZINC, CLASE 5 (ORIFICIOS LATERALES)
15	8	414581	TORNILLO DE CASQUETE - 1/2-13NC X 3/4", CABEZA HEXAGONAL, ZINC, CLASE 5
16	2	414854	TORNILLO - 1/4-20NC X 1/2", CABEZA REDONDA, RANURADO, ZINC
17	1	414926	TORNILLO FIJADOR - 3/8-16NC X 1 pulg., CABEZA HUECA, NÍLÓN
18	2	414952	TORNILLO DE CASQUETE - 1/2- 13NC X 1 1/2", CABEZA HUECA, ZINC, RETENEDOR DE CABLE
19	1	315008	RETENEDOR DE CABLE
20	1	418036	CONTRATUERCA - 3/8 - 16 NC, HEXAGONAL, ZINC
21	4	418163	ARANDELA DE SEGURIDAD - 5/16 MED SECT, ZINC
22	2	418218	ARANDELA DE SEGURIDAD - 1/2 D.I. MED SECT, ZINC
23	1	431019	ACOPLAMIENTO DEL MOTOR
24	2	432018	CONEXIÓN
25	1	442223	EMPAQUETADURA DEL REBORDE DEL MOTOR
26	1	444084	ANILLO DEL ENGRANAJE
27	1	458074	MOTOR HIDRÁULICO
28	1	462067	JUNTA TÓRICA DEL PISTÓN - PEQUEÑA
29	1	462068	JUNTA TÓRICA DEL PISTÓN - GRANDE
30	1	462069	JUNTA TÓRICA DEL PISTÓN DE RESPALDO - GRANDE
31	1	462070	ANILLO DEL PISTÓN DE RESPALDO - GRANDE
32	1	462071	ANILLO DEL PISTÓN DE RESPALDO
33	1	462072	ANILLO DEL PISTÓN DE RESPALDO - PEQUEÑA
34	1	462073	JUNTA TÓRICA
35	1	470033	VÁSTAGO EN ESPIRAL
36	1	472052	TAPÓN
37	1	486080	SELLO
38	2	490003	ANILLO SUJETADOR
39	1	490049	ANILLO DE RETENCIÓN INTERNA
40	9	494124	MUELLE DEL FRENO
41	1	509132	TUBO DE LIBERACIÓN DEL FRENO (ORIFICIOS HACIA ABAJO)
		509131	TUBO DE LIBERACIÓN DEL FRENO (ORIFICIOS HACIA ARRIBA)
		509133	TUBO DE LIBERACIÓN DEL FRENO (ORIFICIOS LATERALES)
42	1	516051	VÁLVULA DE CONTROL DEL MOTOR (ROTACIÓN A)
		516052	VÁLVULA DE CONTROL DEL MOTOR (ROTACIÓN B)
		516053	VÁLVULA DE CONTROL DEL MOTOR (ROTACIÓN A/ORIFICIOS LATERALES)
43	1	518037	ARANDELA DE EMPUJE
44	1	518047	ARANDELA DE EMPUJE
45	1	456038	AGUJERO DE VENTILACIÓN
46	1	434569	PLACA DE IDENTIFICACIÓN
47	1	434235	PLACA - ROTACIÓN A
		434236	PLACA - ROTACIÓN B
48	1	490066	ANILLO DE RETENCIÓN INTERNA
49	1	418088	CONTRATUERCA - 5/8 - 18 NF, HEXAGONAL, ZINC
50	1	416080	TORNILLO FIJADOR - 5/8-18NF X 1 pulg., CABEZA HUECA

NOTES

